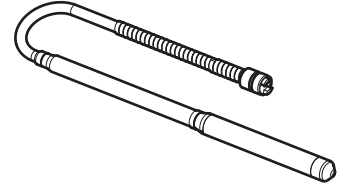


Spare parts list

Poker vibrators

	Valid from serial number
AZ 26 Dynapac coupling	FRO017050
AZ 26 Australian coupling	FRO017050
AZ 36 Dynapac coupling	FRO017050
AZ 36 Australian coupling	FRO017050
AZ 46 Dynapac coupling	FRO017050
AZ 46 Australian coupling	FRO017050
AZ 56 Dynapac coupling	FRO017050
AZ 56 Australian coupling	FRO017050



Contents

General information.....	5
Spare parts list.....	6
AZ 26.....	6
AZ 36.....	8
AZ 46.....	10
AZ 56.....	12
Kits.....	14
Dynapac coupling kit.....	14
Australian coupling kit.....	15
Service kit.....	16

General information

This spare parts list applies to the following:

Part number	Description
4812 0508 09	Mechanical pokers AZ 26 Dynapac coupling
4812 0511 65	Mechanical pokers AZ 26 Australian coupling
4812 0508 10	Mechanical pokers AZ 36 Dynapac coupling
4812 0511 66	Mechanical pokers AZ 36 Australian coupling
4812 0508 11	Mechanical pokers AZ 46 Dynapac coupling
4812 0511 67	Mechanical pokers AZ 46 Australian coupling
4812 0508 12	Mechanical pokers AZ 56 Dynapac coupling
4812 0511 68	Mechanical pokers AZ 56 Australian coupling

Use only authorized parts. Any damage or malfunction caused by the use of unauthorized parts is not covered by Warranty or Product Liability. Any unauthorized use or copying of the contents or any part thereof is prohibited. This applies in particular to trademarks, model denominations, part numbers, and drawings.

Instructions for use

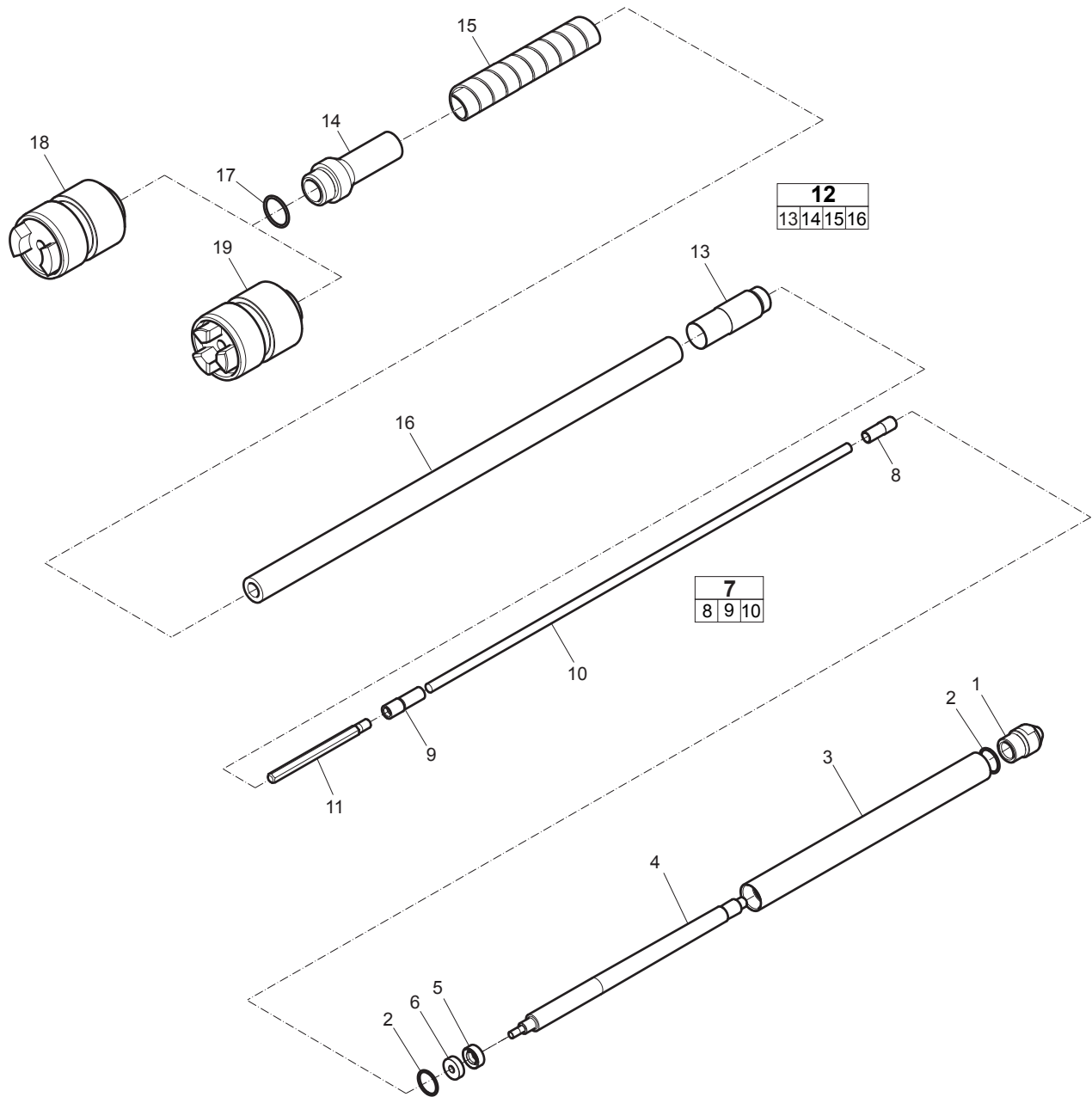
This spare parts list contains no safety regulations and is merely intended to assist in the ordering of spare parts.

For information about operating, servicing, or repairing, the relevant Safety and operating instructions must be consulted at all costs.

Please observe the safety instructions listed in the relevant Safety and operating instructions!

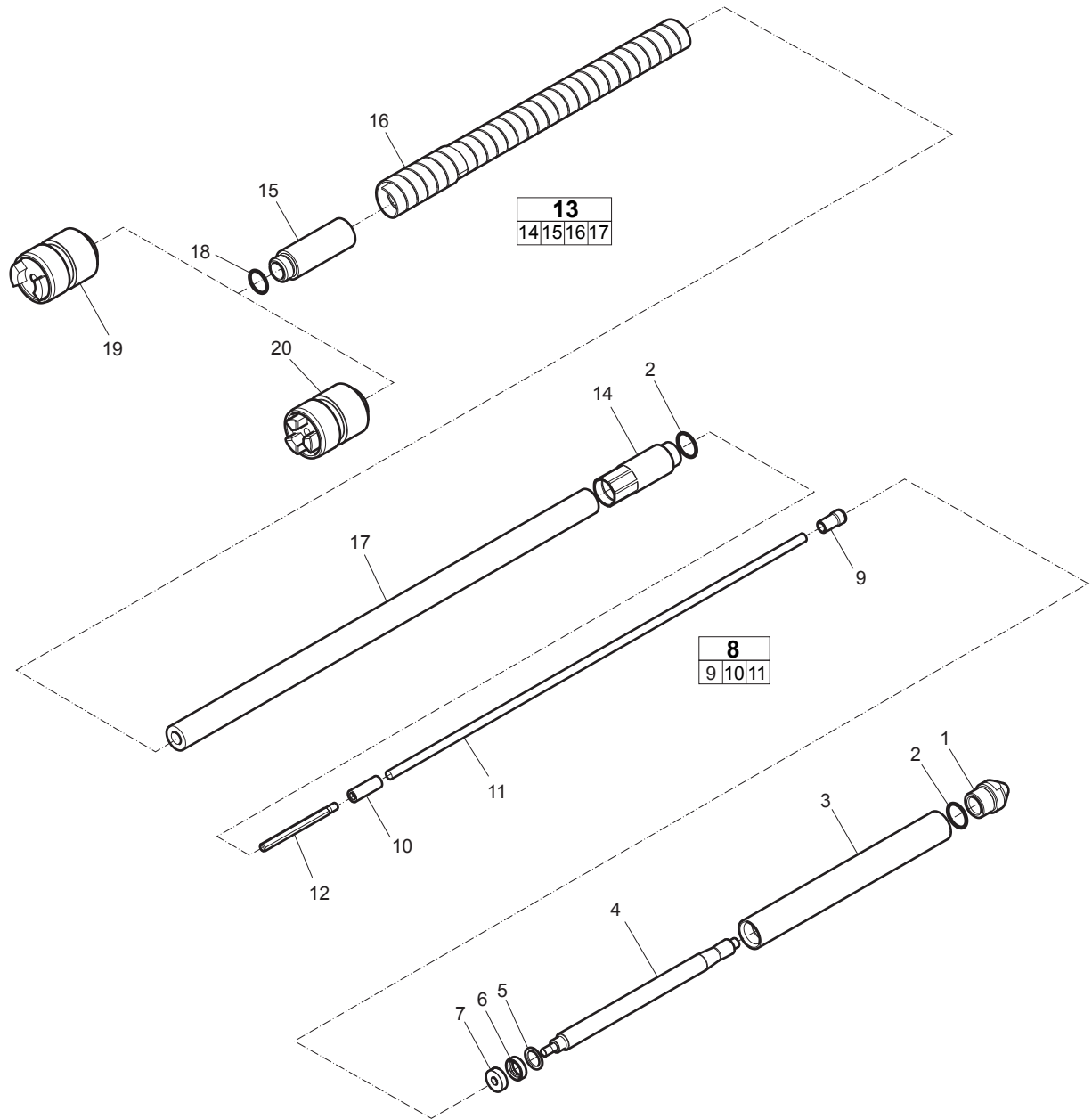
Spare parts list

AZ 26



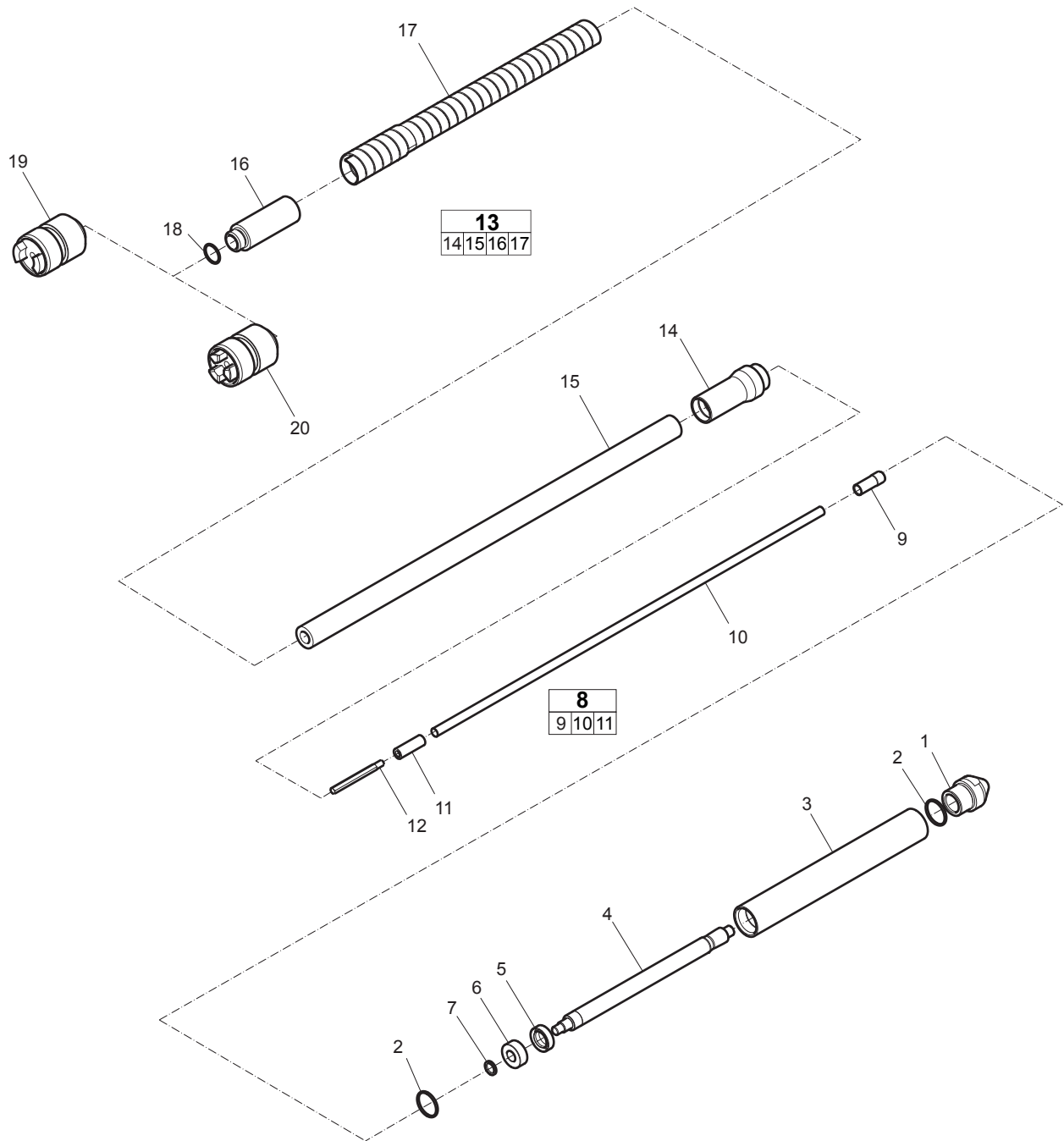
No.	Description	Remark	Quantity	Part number
1	End cap		1	4700 3691 87
2	O-ring	14.1 x 1.6 mm 0.56 x 0.06 in. NBR (70 shore)	2	4700 1603 06
3	Tube		1	4700 3691 88
4	Vibrator shaft		1	4700 3691 86
5	Sealing sleeve		1	4700 1845 60
6	Ball bearing		1	4700 1850 86
7(8-10)	Flexible shaft, complete		1	4700 3623 18
8	End shank		1	-
9	End shank		1	-
10	Flexible shaft		1	-
11	Driver pin		1	4700 3622 17
12(13-16)	Covering, complete		1	4700 3623 17
13	End shank		1	-
14	End shank		1	-
15	Stiffener		1	-
16	Covering		1	-
17	O-ring	25 x 2 mm 0.98 x 0.08 in. (70 shore)	1	4700 1601 36
18	Coupling	Dynapac version	1	-
19	Coupling	Australian version	1	-

AZ 36



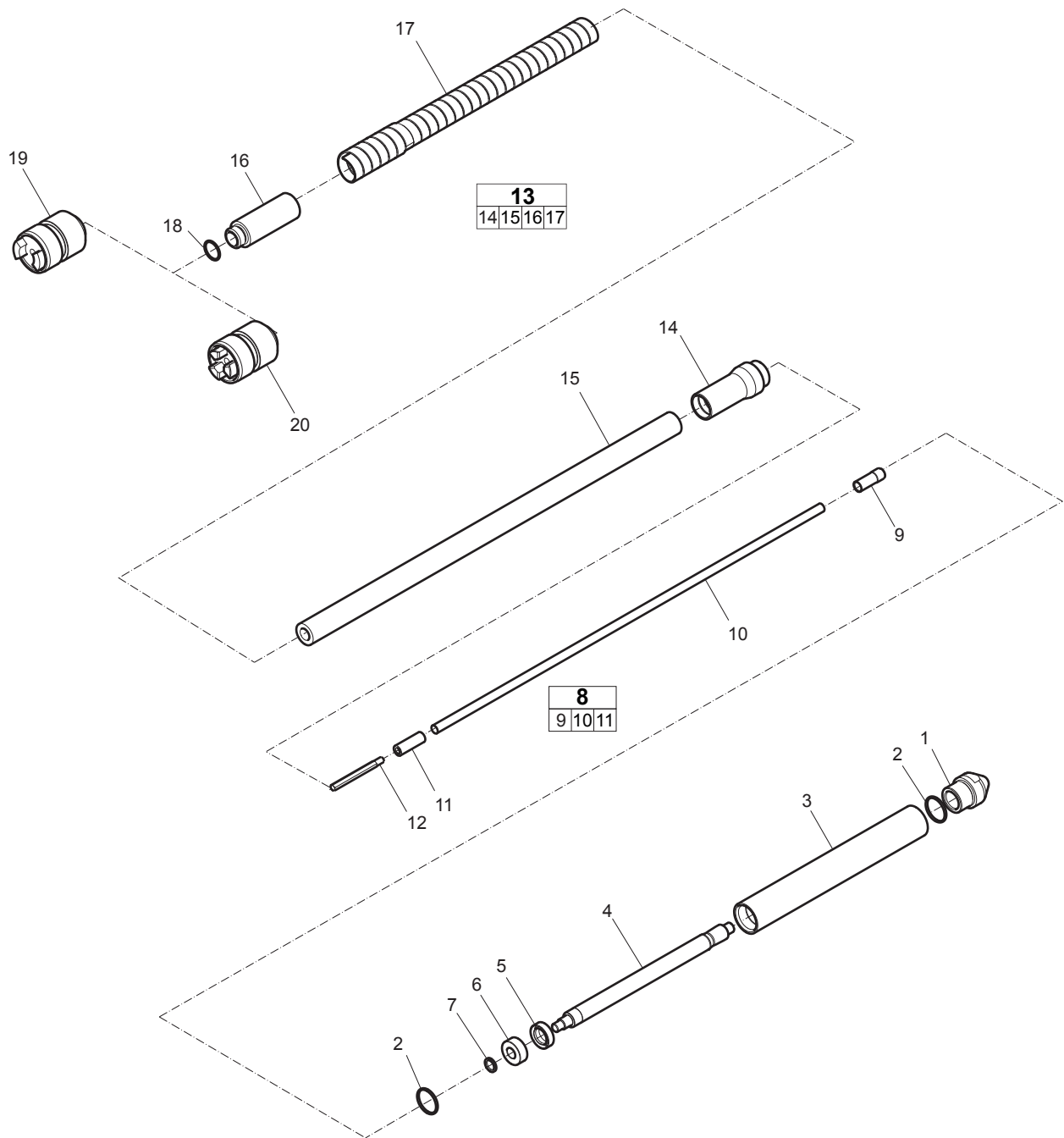
No.	Description	Remark	Quantity	Part number
1	End cap		1	4700 3690 45
2	O-ring	22.5 x 2 mm 0.88 x 0.08 in. NBR (70 shore)	2	4700 1603 11
3	Tube		1	4700 3690 46
4	Vibrator shaft		1	4700 3690 43
5	Retaining washer		1	4700 3690 47
6	Sealing sleeve		1	4700 3690 44
7	Ball bearing		1	4700 1845 69
8(9-11)	Flexible shaft, complete		1	4700 3620 98
9	End shank		1	-
10	End shank		1	-
11	Flexible shaft		1	-
12	Driver pin		1	4700 3622 17
13(14-17)	Covering complete		1	4700 3690 48
14	End shank		1	-
15	End shank		1	-
16	Stiffener		1	-
17	Covering		1	-
18	O-ring	25 x 2 mm 0.98 x 0.08 in. NBR (70 shore)	1	4700 1601 36
19	Coupling	Dynapac version	1	-
20	Coupling	Australian version	1	-

AZ 46



No.	Description	Remark	Quantity	Part number
1	End cap		1	4700 3690 51
2	O-ring	35 x 2 mm 1.38 x 0.08 in. NBR (70 shore)	2	4700 1600 15
3	Tube		1	4700 3690 52
4	Vibrator shaft		1	4700 3690 50
5	Sealing sleeve		1	4700 1845 80
6	Ball bearing		1	4700 1003 98
7	Washer		1	4700 1003 78
8(9-11)	Flexible shaft, complete		1	4700 3631 61
9	End shank		1	-
10	Flexible shaft		1	-
11	End shank		1	-
12	Driver pin		1	4700 3622 17
13(14-17)	Covering, complete		1	4700 3690 53
14	End shank		1	-
15	Covering		1	-
16	End shank		1	-
17	Stiffener		1	-
18	O-ring	25 x 2 mm 0.98 x 0.08 in. NBR (70 shore)	1	4700 1601 36
19	Coupling	Dynapac version	1	-
20	Coupling	Australian version	1	-

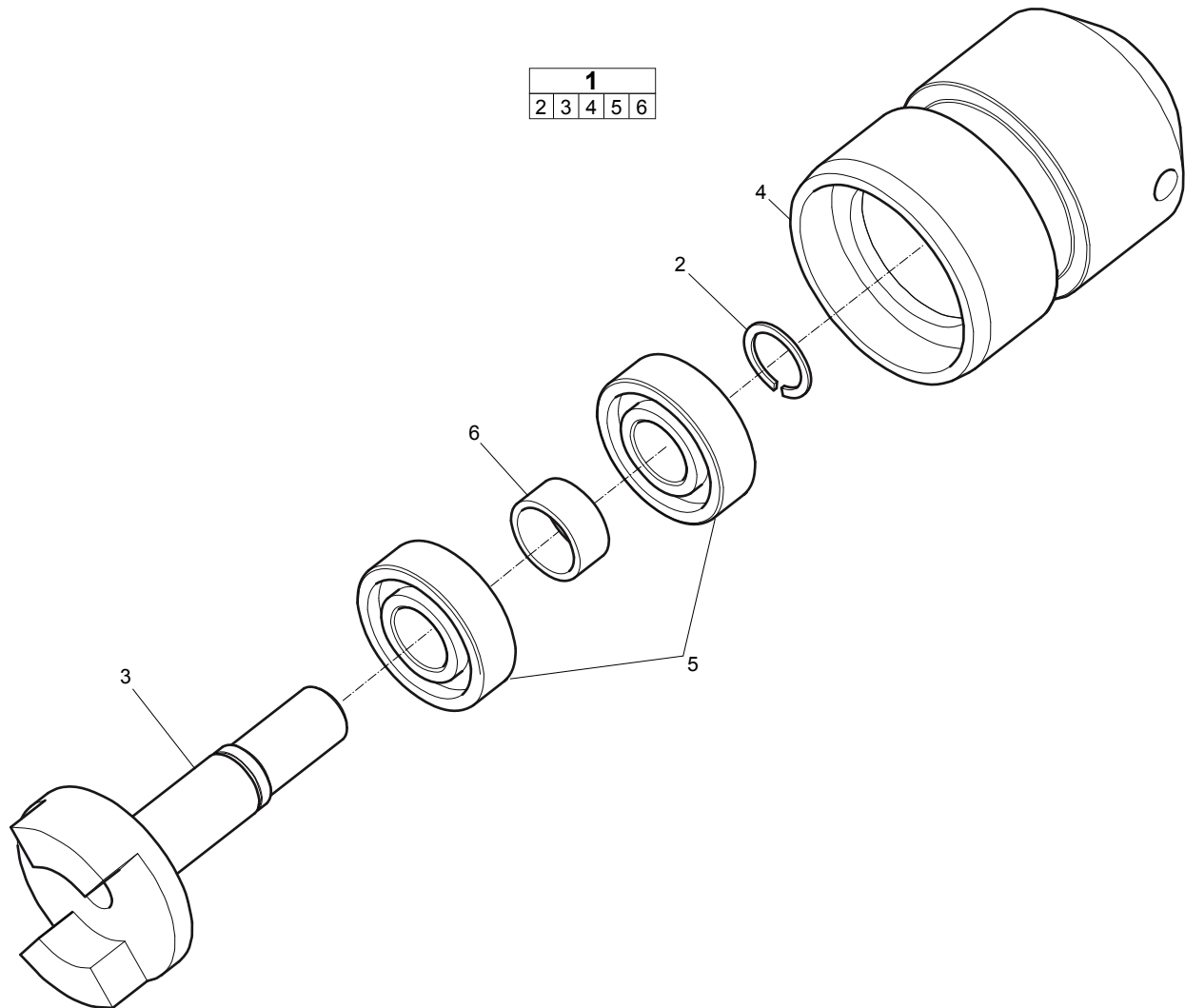
AZ 56



No.	Description	Remark	Quantity	Part number
1	End cap		1	4700 3691 49
2	O-ring	45.69 x 2.6 mm 1.8 x 0.1 in. NBR (70 shore)	2	4700 1603 27
3	Tube		1	4700 3691 51
4	Vibrator shaft		1	4700 3691 50
5	Sealing sleeve		1	4700 1845 86
6	Ball bearing		1	4700 1041 15
7	Washer		1	4700 1108 34
8(9-11)	Flexible shaft, complete		1	4700 3631 61
9	End shank		1	-
10	Flexible shaft		1	-
11	End shank		1	-
12	Driver pin		1	4700 3622 17
13(14-17)	Covering, complete		1	4700 3691 52
14	End shank		1	-
15	Covering		1	-
16	End shank		1	-
17	Stiffener		1	-
18	O-ring	25 x 2 mm 0.98 x 0.08 in. NBR (70 shore)	1	4700 1601 36
19	Coupling	Dynapac version	1	-
20	Coupling	Australian version	1	-

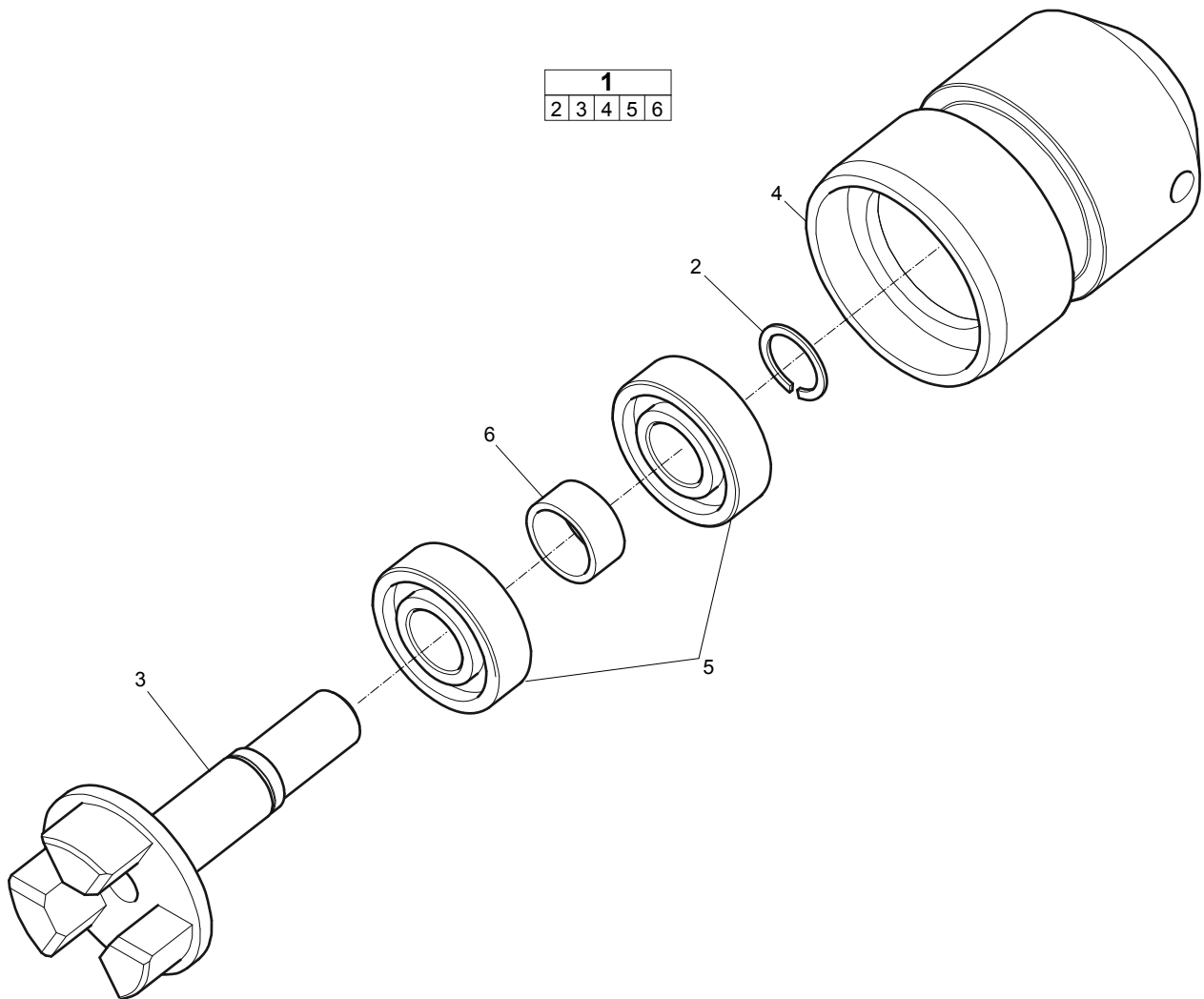
Kits

Dynapac coupling kit



No.	Description	Remark	Quantity	Part number
1(2-6)	Dynapac coupling kit		1	4700 3627 40
2	Retainer ring	Ø17 x 1 mm Ø0.67 x 0.04 mm DIN471	1	-
3	Shaft		1	4700 3661 54
4	Body		1	4700 3661 55
5	Bearing		2	4700 3661 56
6	Spacer		1	4700 7003 57

Australian coupling kit



No.	Description	Remark	Quantity	Part number
1(2-6)	Australian coupling kit		1	4812 0512 21
2	Retainer ring	Ø17 x 1 mm Ø0.67 x 0.04 in. DIN471	1	-
3	Shaft		1	4812 0512 22
4	Body		1	4812 0512 23
5	Bearing		2	4700 3661 56
6	Spacer		1	4700 7003 57

Service kit

AZ 26 service kit

Part number 4700 3691 94

Description	Remark	Quantity	Part number
O-ring	14.1 x 1.6 mm 0.56 x 0.06 in. NBR (70 shore)	2	4700 1603 06
Sealing sleeve		1	4700 1845 60
Ball bearing		1	4700 1850 86
O-ring	25 x 2 mm 0.98 x 0.08 in. NBR (70 shore)	1	4700 1601 36

AZ 36 service kit

Part number 4700 3691 95

Description	Remark	Quantity	Part number
O-ring	22.5 x 2 mm 0.88 x 0.08 in. NBR (70 shore)	2	4700 1603 11
Retaining washer		1	4700 3690 47
Sealing sleeve		1	4700 3690 44
Ball bearing		1	4700 1845 69
O-ring	25 x 2 mm 0.98 x 0.08 in. NBR (70 shore)	1	4700 1601 36

AZ 46 service kit

Part number 4700 3691 96

Description	Remark	Quantity	Part number
O-ring	35 x 2 mm 1.38 x 0.08 in. NBR (70 shore)	2	4700 1600 15
Sealing sleeve		1	4700 1845 80
Ball bearing		1	4700 1003 98
O-ring	25 x 2 mm 0.98 x 0.08 in. NBR (70 shore)	1	4700 1601 36

AZ 56 service kit

Part number 4700 3691 97

Description	Remark	Quantity	Part number
O-ring	45.69 x 2.6 mm 1.8 x 0.1 in. NBR (70 shore)	2	4700 1603 27
Sealing sleeve		1	4700 1845 86
Ball bearing		1	4700 1041 15
O-ring	25 x 2 mm 0.98 x 0.08 in. NBR (70 shore)	1	4700 1601 36

Any unauthorized use or copying of the contents or any part thereof is prohibited.
This applies in particular to trademarks, model denominations, part numbers, and
drawings.

© 2012 Atlas Copco Construction Tools AB | No. 9800 1180 01a | 2012-01-20

Atlas Copco

www.atlascopco.com