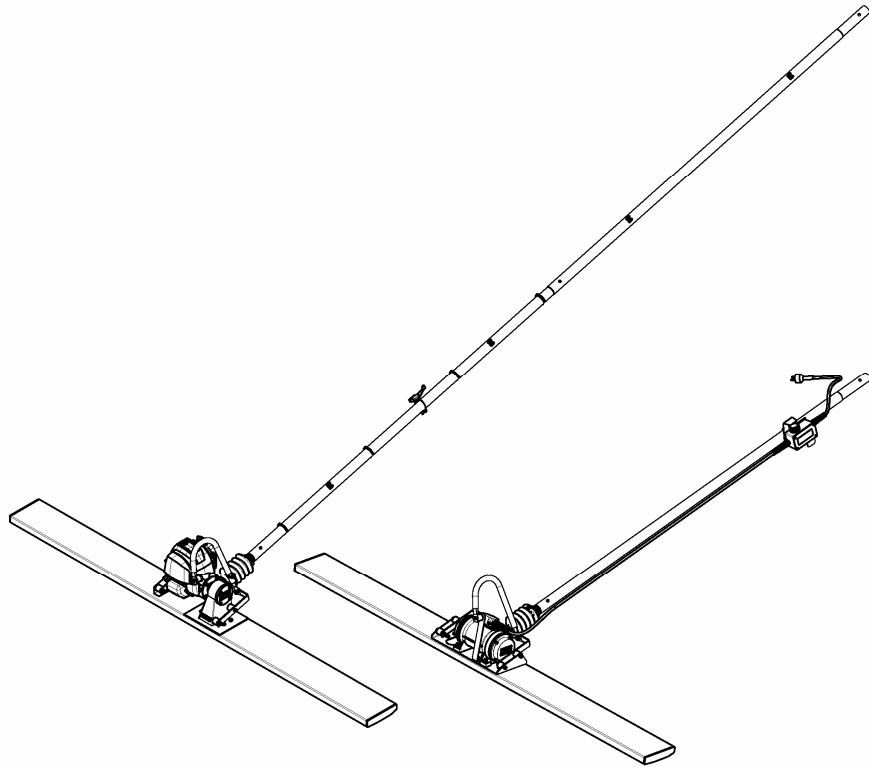


# BV20E/G

## Spare parts list

### Finishing vibrating beam



# Contents

|                                              |           |
|----------------------------------------------|-----------|
| <b>General information .....</b>             | <b>3</b>  |
| <b>Spare parts list .....</b>                | <b>4</b>  |
| BV20E .....                                  | 4         |
| Switchbox P/N 4700 0327 68 .....             | 6         |
| Single phase Vibrator P/N 4812 0507 33 ..... | 8         |
| Tilting device P/N 4700 0220 21 .....        | 10        |
| BV20G .....                                  | 12        |
| <b>Engine parts .....</b>                    | <b>14</b> |
| <b>Electric connections for BV20E .....</b>  | <b>15</b> |

# General information

This spare parts list applies to the following:

| Part number  | Description                       |
|--------------|-----------------------------------|
| 4812 0511 49 | Finishing vibrating beam BV20E 2m |
| 4812 0511 51 | Finishing vibrating beam BV20G 2m |

Use only authorized parts. Any damage or malfunction caused by the use of unauthorized parts is not covered by Warranty or Product Liability.

Any unauthorized use or copying of the contents or any part thereof is prohibited. This applies in particular to trademarks, model denominations, part numbers, and drawings.

## Instructions for use

This spare parts list contains no safety regulations and is merely intended to assist in the ordering of spare parts.

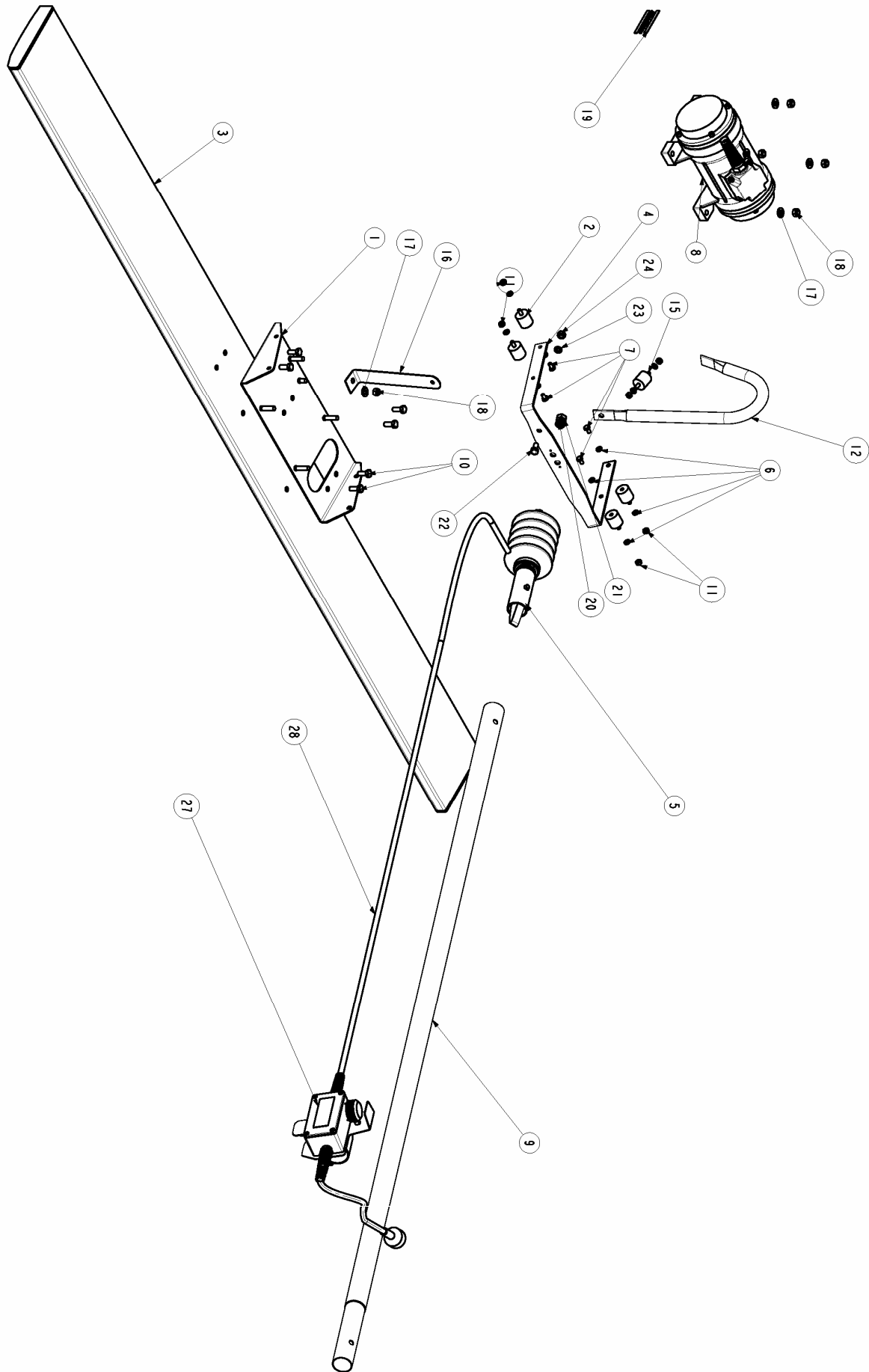
For information about operating, servicing, or repairing, the relevant Safety and operating instructions must be consulted at all costs.

Please observe the safety instructions listed in the relevant Safety and operating instructions!

# Spare parts list

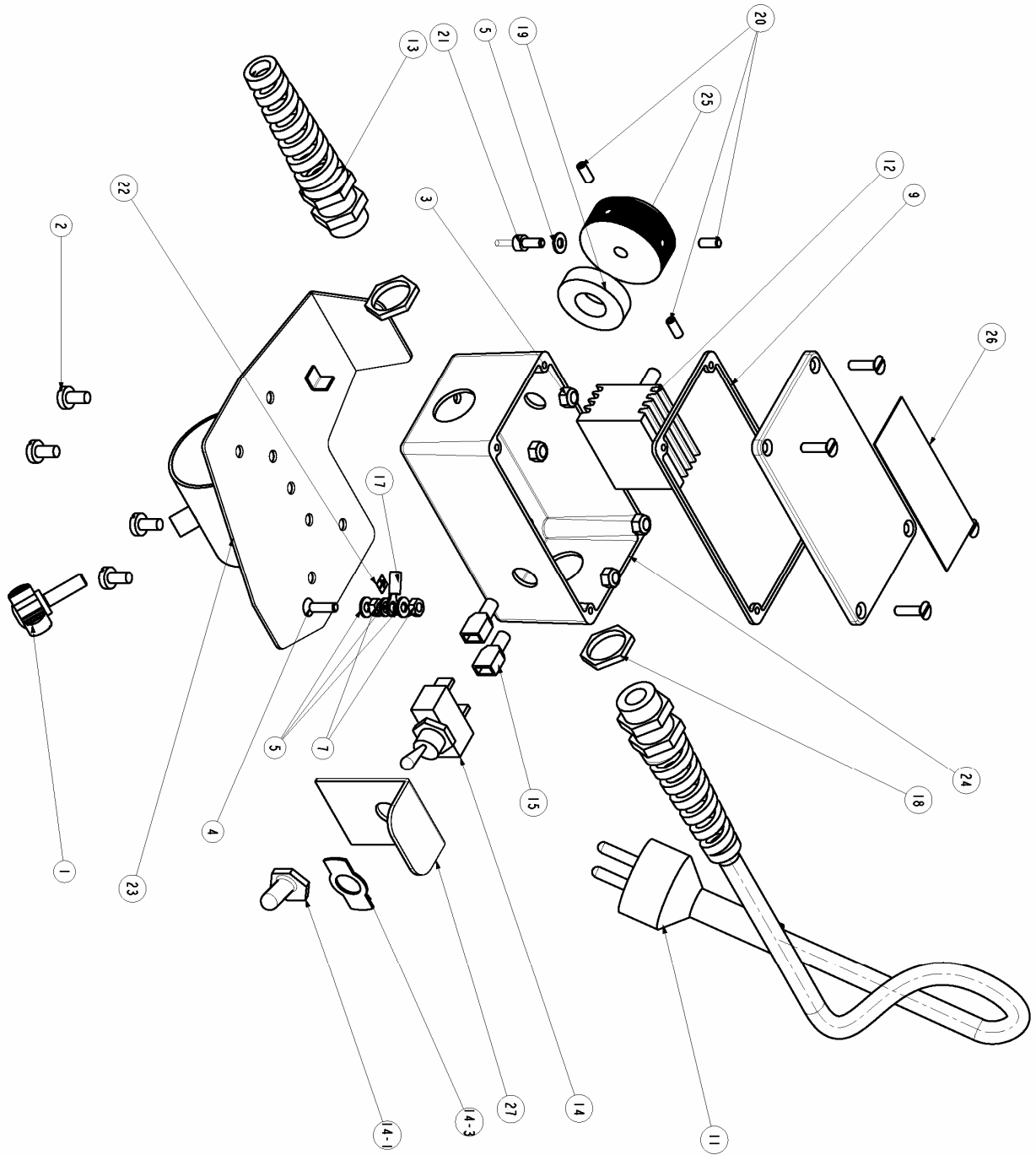
## BV20E

| No. | Description           | Remark               | Quantity | Part number  |
|-----|-----------------------|----------------------|----------|--------------|
| 1   | Motor holder complete |                      | 1        | 4812 0507 37 |
| 2   | Shock absorber        |                      | 4        | 4700 0021 27 |
| 3   | Profile complete      |                      | 1        | 4700 0331 05 |
| 4   | Fork                  |                      | 1        | 4700 0331 08 |
| 5   | Tilting device        | See the SPL          | 1        | 4700 0220 21 |
| 6   | Locking washer        | Nord-Lock M6         | 10       | 4700 1860 39 |
| 7   | Screw                 | H M6x10 DIN933       | 4        | 4700 5000 59 |
| 8   | Vibrator              | See the SPL          | 1        | 4812 0507 33 |
| 9   | Handle tube           |                      | 2        | 4812 0512 63 |
| 10  | Screw                 | H M8x20 DIN933       | 6        | 4700 5000 53 |
| 11  | Nut                   | M6 DIN934            | 6        | 4700 5700 04 |
| 12  | Handle                |                      | 1        | 4812 0507 38 |
| 13  | Screw                 | N°10 4,85x19 DIN7971 | 4        | 4700 5415 37 |
| 14  | Cable guide           |                      | 4        | 4700 0481 79 |
| 15  | Shock absorber        |                      | 1        | 4700 0022 57 |
| 16  | Square plate          |                      | 15       | 4812 0512 58 |
| 17  | Washer                | MU8                  | 5        | 4700 6000 06 |
| 19  | Lock nut              | M8 DIN985            | 2        | 4700 5860 03 |
| 20  | Locking washer        | Nord-Lock M10        | 1        | 4700 1860 38 |
| 21  | Nut                   | M10 DIN934           | 1        | 4700 5700 06 |
| 22  | Screw                 | H M8x16 DIN933       | 1        | 4700 5000 19 |
| 23  | Locking washer        | Nord-Lock M8         | 1        | 4700 1865 33 |
| 24  | Nut                   | M8 DIN934            | 1        | 4700 5700 05 |
| 25  | Dataplate             |                      | 1        | 4812 0507 87 |
| 26  | Screw                 | D2x5                 | 1        | 4700 5270 02 |
| 27  | Switchbox             | See the SPL          | 1        | 4700 0327 68 |
| 28  | Cable                 |                      | 2m       | 4700 1858 05 |



## Switchbox P/N 4700 0327 68

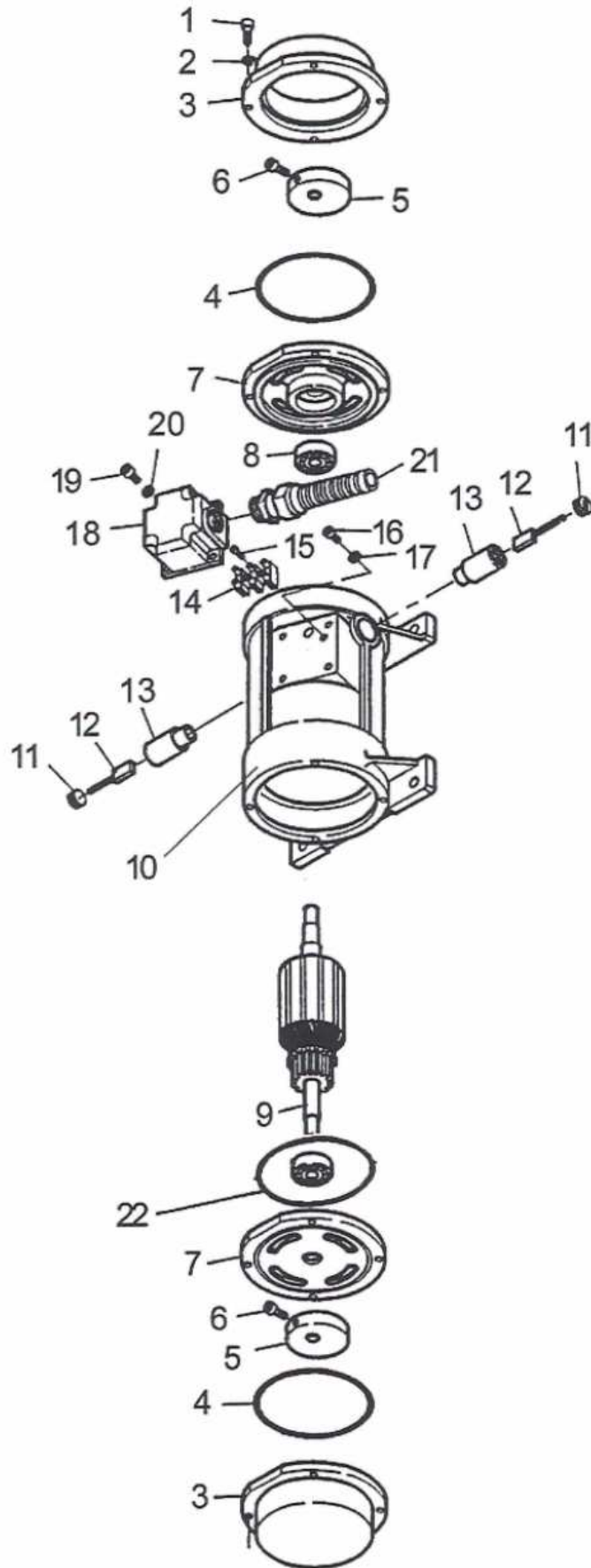
| No.  | Description      | Remark           | Quantity | Part number  |
|------|------------------|------------------|----------|--------------|
| 1    | Screw            |                  | 1        | 4700 0024 43 |
| 2    | Screw            | CS M5x10 DIN84A  | 4        | -            |
| 3    | Lock nut         | M5 DIN985        | 4        | -            |
| 4    | Slotted screw    | M4x14 DIN963A    | 1        | -            |
| 5    | Washer           | MU4              | 3        | 4700 6000 02 |
| 7    | Nut              | M4 DIN934        | 2        | -            |
| 9    | Rubber seal      |                  | 1        | 4700 0035 49 |
| 11   | Plug and cable   |                  | 1        | D604 0032 90 |
| 12   | Regulator        |                  | 1        | D604 0033 95 |
| 13   | Stuffing box     |                  | 2        | D604 0033 98 |
| 14   | Switch           |                  | 1        | 4700 3647 63 |
| 14-1 | Membrane         |                  | 1        | 4700 3647 65 |
| 14-2 | Sealing washer   |                  | 1        | 4700 3647 66 |
| 14-3 | On/Off plate     |                  | 1        | 4700 3655 38 |
| 15   | Terminal         |                  | 4        | 4700 1856 45 |
| 16   | Junction box     |                  | 1        | 4700 9269 75 |
| 17   | Spade            |                  | 3        | 4700 9600 65 |
| 18   | Plastic nut      |                  | 2        | D604 0011 61 |
| 19   | Foam washer      |                  | 1        | D604 0021 49 |
| 20   | Set screw        | HC M4x10 ISO4028 | 3        | -            |
| 21   | Hex. Sock. Screw |                  | 1        | 0211 1170 03 |
| 22   | Decal            | "Grounded"       | 1        | D604 0034 57 |
| 23   | Switchbox holder |                  | 1        | 4700 0327 65 |
| 24   | Aluminium box    |                  | 1        | 4700 0327 67 |
| 25   | Button           |                  | 1        | D604 0476 67 |
| 26   | Decal            | 230V             | 1        | D604 0439 85 |
| 27   | Cover            |                  | 1        | 4700 0483 41 |



## Single phase Vibrator P/N 4812 0507 33

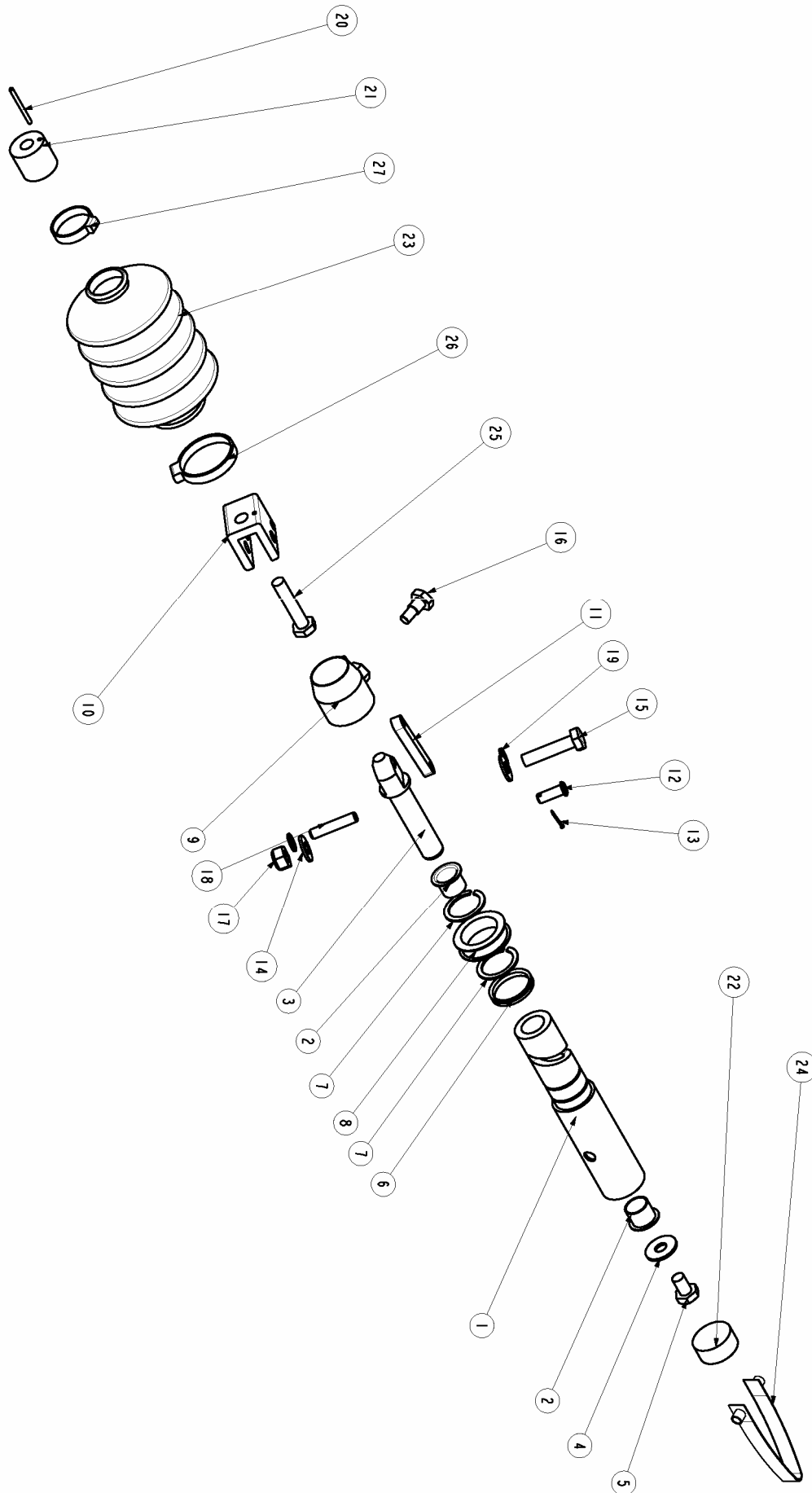
| No. | Description        | Remark             | Quantity | Part number  |
|-----|--------------------|--------------------|----------|--------------|
| 1   | Screw              | C HC M5x25 DIN912  | 8        | -            |
| 2   | Washer             | Ø5                 | 8        | 4700 6000 03 |
| 3   | Cover              |                    | 2        |              |
| 4   | O-ring             |                    | 2        | D230 2222 03 |
| 5   | Eccentric          |                    | 2        | 4700 0480 44 |
| 6   | Screw              | C HC M5x10 DIN 912 | 2        | -            |
| 7   | Flange             |                    | 2        |              |
| 8   | Ball bearing       |                    | 2        | D230 2222 08 |
| 9   | Rotor              |                    | 1        | D230 2222 09 |
| 10  | Stator complete    |                    | 1        |              |
| 11  | Brush cover        |                    | 2        | D230 2222 12 |
| 12  | Brushes            | Set                | 1        | D230 2222 13 |
| 13  | Brush retainer     |                    | 2        | D230 2222 14 |
| 14  | Terminal board     |                    | 1        | D230 2222 15 |
| 15  | Self tapping screw |                    | 2        | -            |
| 16  | Screw              | C HC M4x8 DIN912   | 1        | -            |
| 17  | Washer             | Ø4                 | 1        | 4700 6150 05 |
| 18  | Cover              |                    | 1        | -            |
| 19  | Screw              | C HC M5x16 DIN912  | 4        | -            |
| 20  | Washer             |                    | 4        | 4700 1823 36 |
| 21  | Gland nut          | Pg13               | 1        | 4700 1848 27 |
| 22  | O-ring             |                    | 2        | D230 2222 23 |





## Tilting device P/N 4700 0220 21

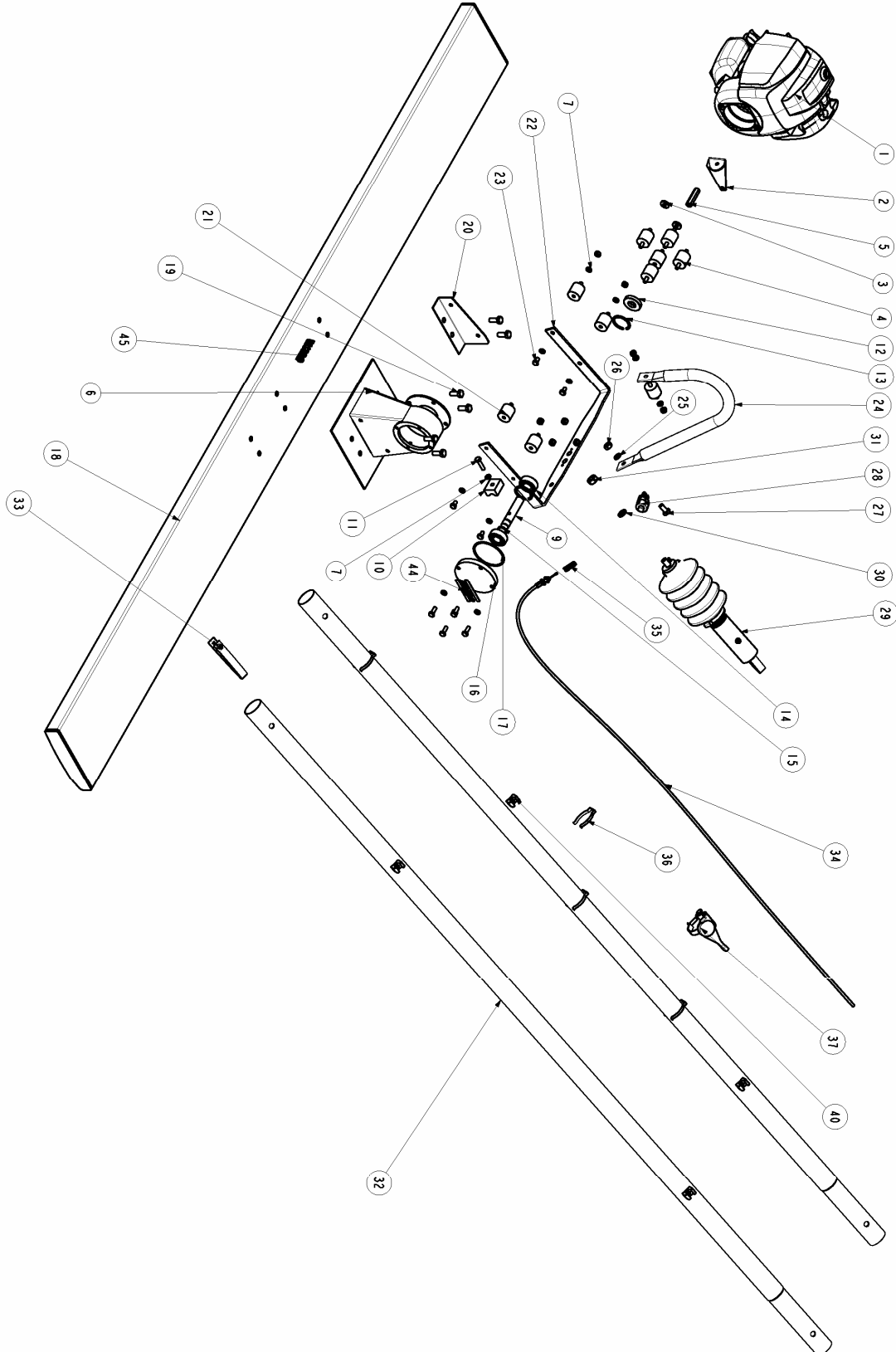
| No. | Description      | Remark                | Quantity | Part number  |
|-----|------------------|-----------------------|----------|--------------|
| 1   | Tube             |                       | 1        | 4700 0480 35 |
| 2   | Bearing          |                       | 2        | 4700 0001 24 |
| 3   | Shaft            |                       | 1        | 4700 0476 82 |
| 4   | Washer           | LU10                  | 1        | 4700 1810 63 |
| 5   | Screw            | H M10x16 DIN933       | 1        | -            |
| 6   | V-Ring           | V-30A                 | 1        | 4700 0003 82 |
| 7   | Clamp ring       | SW32                  | 2        | 4700 0004 50 |
| 8   | Ring             |                       | 1        | 4700 0476 83 |
| 9   | Slid             |                       | 1        | 4700 0476 89 |
| 10  | Fork             |                       | 1        | 4700 0476 84 |
| 11  | Connection       |                       | 1        | 4700 0476 86 |
| 12  | Clevis pin       | Ø8x22                 | 1        | 0113 4152 00 |
| 13  | Split pin        |                       | 1        | 0111 1187 00 |
| 14  | Washer           | MU10                  | 2        | 4700 6000 07 |
| 15  | Screw            | H M10x45 DIN931       | 1        | -            |
| 16  | Screw            |                       | 1        | 4700 0476 87 |
| 17  | Lock nut         | M10 DIN985            | 1        | -            |
| 18  | Cylindric pin    | Ø8x40 h8              | 1        | -            |
| 19  | Lock washer      | Quicklock Ø8          | 2        | 4812 0507 34 |
| 20  | Spring pin       | Ø3x40                 | 1        | -            |
| 21  | Spacer           |                       | 1        | 4700 0476 85 |
| 22  | Plug             |                       | 1        | 4700 0003 85 |
| 23  | Gusset           |                       | 1        | 4700 0021 29 |
| 24  | Fastening spring |                       | 1        | 4700 0023 02 |
| 25  | Screw            | H M10x55 CL8.8 DIN931 | 1        | -            |
| 26  | Clamp            | Ø40-50                | 1        | 0347 6112 00 |
| 27  | Clamp            | Ø26-38                | 1        | 0347 6109 00 |



**BV20G**

| No. | Description      | Remark               | Quantity | Part number  |
|-----|------------------|----------------------|----------|--------------|
| 1   | Engine           | Honda GX25           | 1        | 4700 3689 55 |
| 2   | Mounting plate   |                      | 1        | 4700 0490 97 |
| 3   | Washer           | Ø6 DIN7349           | 2        | -            |
| 4   | Shock absorber   |                      | 6        | 4700 0022 57 |
| 5   | Splice nut       |                      | 1        | 4700 0490 96 |
| 6   | Vibrator holder  |                      | 1        | 4812 0512 60 |
| 7   | Lock washer      | Nord-Lock M6         | 17       | 4700 1860 39 |
| 8   | Nut              | M6 DIN934            | 8        | -            |
| 9   | Vibrator shaft   |                      | 1        | 4700 0475 29 |
| 10  | Eccentric        |                      | 1        | 4700 0476 27 |
| 11  | Screw            | H M6x25 DIN933       | 1        | -            |
| 12  | Radial seal      | A 15x35x7            | 1        | 4700 0003 22 |
| 13  | Retaining ring   | Ø35x1,5 DIN472       | 2        | -            |
| 14  | Bearing          |                      | 2        | 4700 9292 96 |
| 15  | Retaining ring   | Ø15x1,5 DIN471       | 1        | -            |
| 16  | Flange           |                      | 1        | 4812 0512 61 |
| 17  | O-ring           |                      | 1        | 4700 W651 02 |
| 18  | Profile complete |                      | 1        | 4700 0331 05 |
| 19  | Screw            | H M8x20 DIN933       | 6        | -            |
| 20  | Square plate     |                      | 1        | 4700 0476 10 |
| 21  | Shock absorber   |                      | 4        | 4700 0021 27 |
| 22  | Fork             |                      | 1        | 4700 0331 08 |
| 23  | Screw            | M6x10 DIN933         | 6        | 4700 5000 59 |
| 24  | Handle           |                      | 1        | 4812 0507 38 |
| 25  | Lock washer      | Nord-Lock M8         | 1        | 4700 1865 33 |
| 26  | Nut              | M8 DIN934            | 1        | 4700 5700 05 |
| 27  | Screw            |                      | 1        | 4700 5000 19 |
| 28  | Kill switch      |                      | 1        | 4700 0026 33 |
| 29  | Tilting device   |                      | 1        | 4700 0220 21 |
| 30  | Lock washer      | Nord-Lock M10        | 1        | 4700 1860 38 |
| 31  | Nut              | M10 DIN934           | 1        | 4700 5700 06 |
| 32  | Handle tube      |                      | 2        | 4812 0512 63 |
| 33  | Fastening spring |                      | 1        | 4700 0023 02 |
| 34  | Cable            |                      | 1        | 4700 0490 98 |
| 35  | Pressure spring  |                      | 1        | 4700 0027 41 |
| 36  | Tool holder      |                      | 4        | 4700 0028 30 |
| 37  | Throttle         |                      | 1        | 4700 0476 71 |
| 38  | Screw            | M6x16 DIN933         | 6        | 4700 5000 13 |
| 39  | Screw            | N°10 4,85x19 DIN7971 | 4        | 4700 5415 37 |
| 40  | Cable guide      |                      | 1        | 4700 0481 79 |

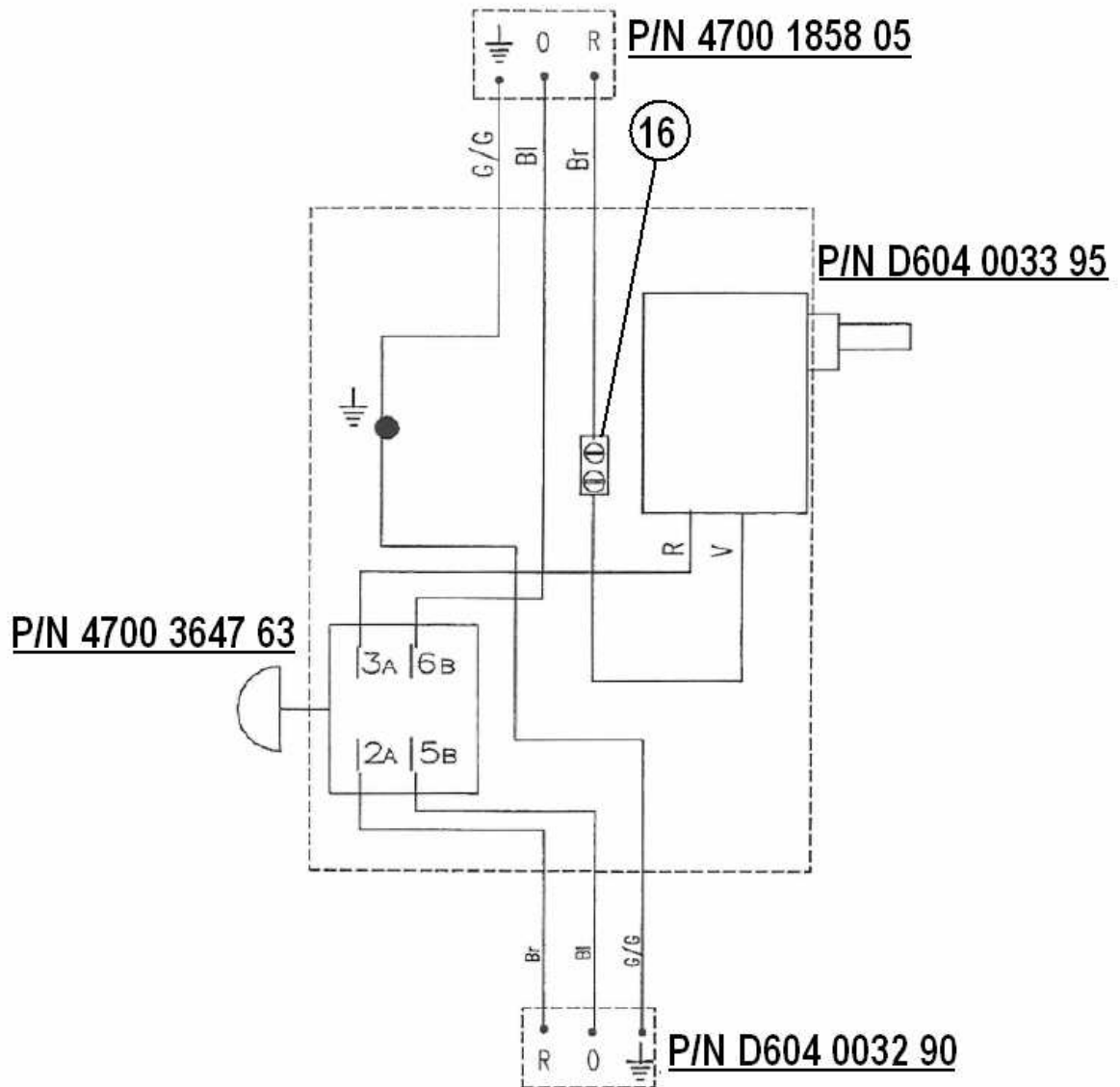
| No. | Description | Remark | Quantity | Part number  |
|-----|-------------|--------|----------|--------------|
| 42  | Dataplate   |        | 1        | 4812 0507 87 |
| 43  | Screw       | Ø2x5   | 4        | 4700 5270 02 |
| 44  | Decal       |        | 1        | 4812 0510 93 |
| 45  | Decal       |        | 1        | 4812 0512 64 |



## Engine parts

| No. | Description        | Remark | Quantity | Part number  |
|-----|--------------------|--------|----------|--------------|
| -   | Air filter element |        | 1        | 4700 3699 38 |
| -   | Spark plug         |        | 1        | 4700 3699 37 |

# Electric connections for BV20E



|                       |
|-----------------------|
| R = Red/Rot/Röd       |
| W = White/Weiß/Vit    |
| Br = Brown/Braun/Brun |
| Bl = Blue/Blau/Blå    |

Any unauthorized use or copying of the contents or any part thereof is prohibited.  
This applies in particular to trademarks, model denominations, part numbers, and drawings.



[www.atlascopco.com](http://www.atlascopco.com)