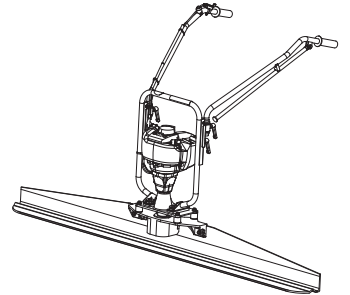


Spare parts list

Vibrating screeds

	Valid from serial number
Finishing vibrating beam BV 30	FRO016144
Finishing vibrating beam BV 30 without engine	FRO016144



Contents

General information.....	5
Spare parts list.....	6
BV 30 Handle.....	6
BV 30 Engine.....	8
Kits.....	10
Maintenance kit.....	10
Service kit.....	10

General information

This spare parts list applies to the following:

Part number	Description
4812 0510 05	Finishing vibrating beam BV 30
4812 0510 06	Finishing vibrating beam without engine

Use only authorized parts. Any damage or malfunction caused by the use of unauthorized parts is not covered by Warranty or Product Liability. Any unauthorized use or copying of the contents or any part thereof is prohibited. This applies in particular to trademarks, model denominations, part numbers, and drawings.

Instructions for use

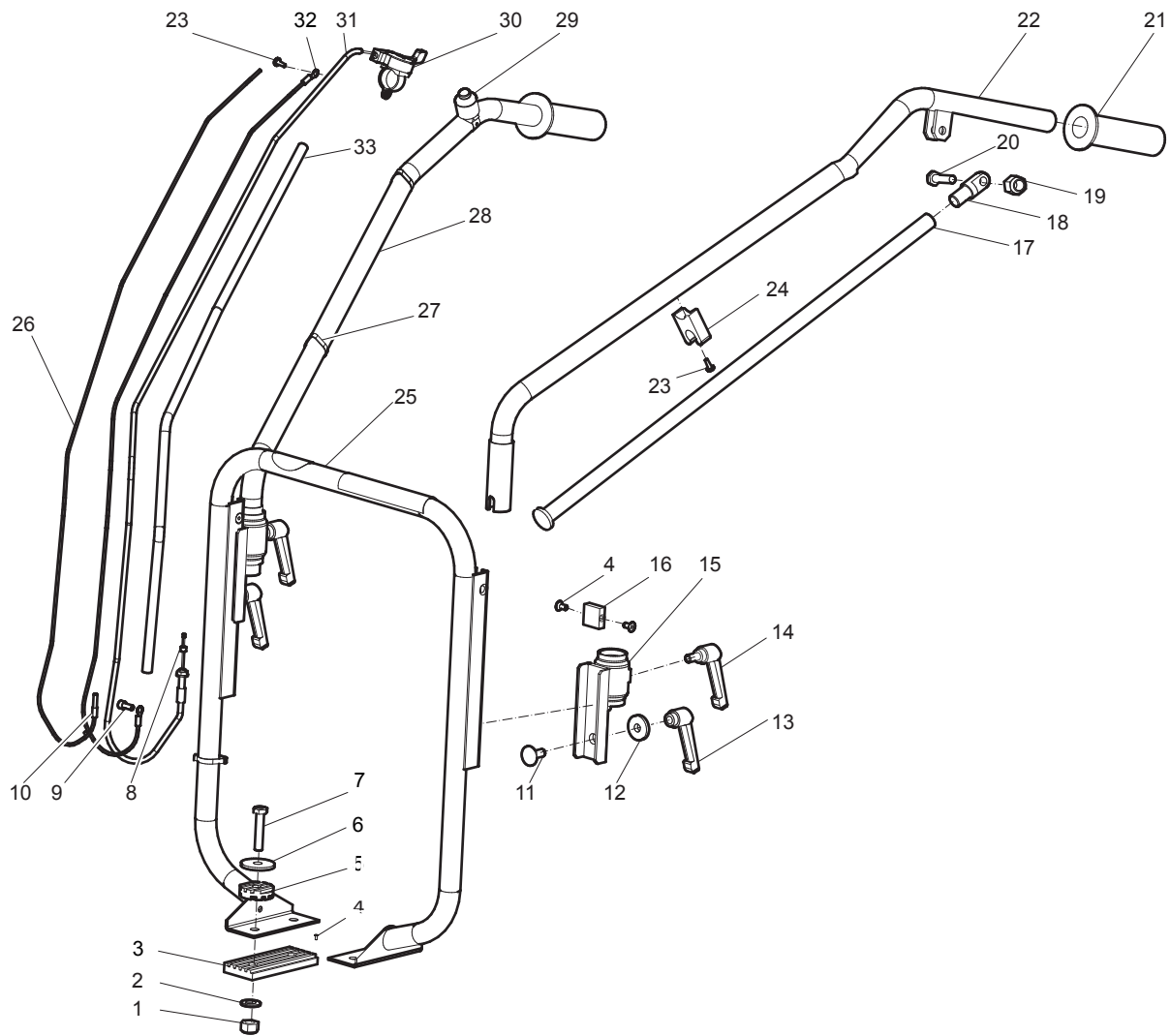
This spare parts list contains no safety regulations and is merely intended to assist in the ordering of spare parts.

For information about operating, servicing, or repairing, the relevant Safety and operating instructions must be consulted at all costs.

Please observe the safety instructions listed in the relevant Safety and operating instructions!

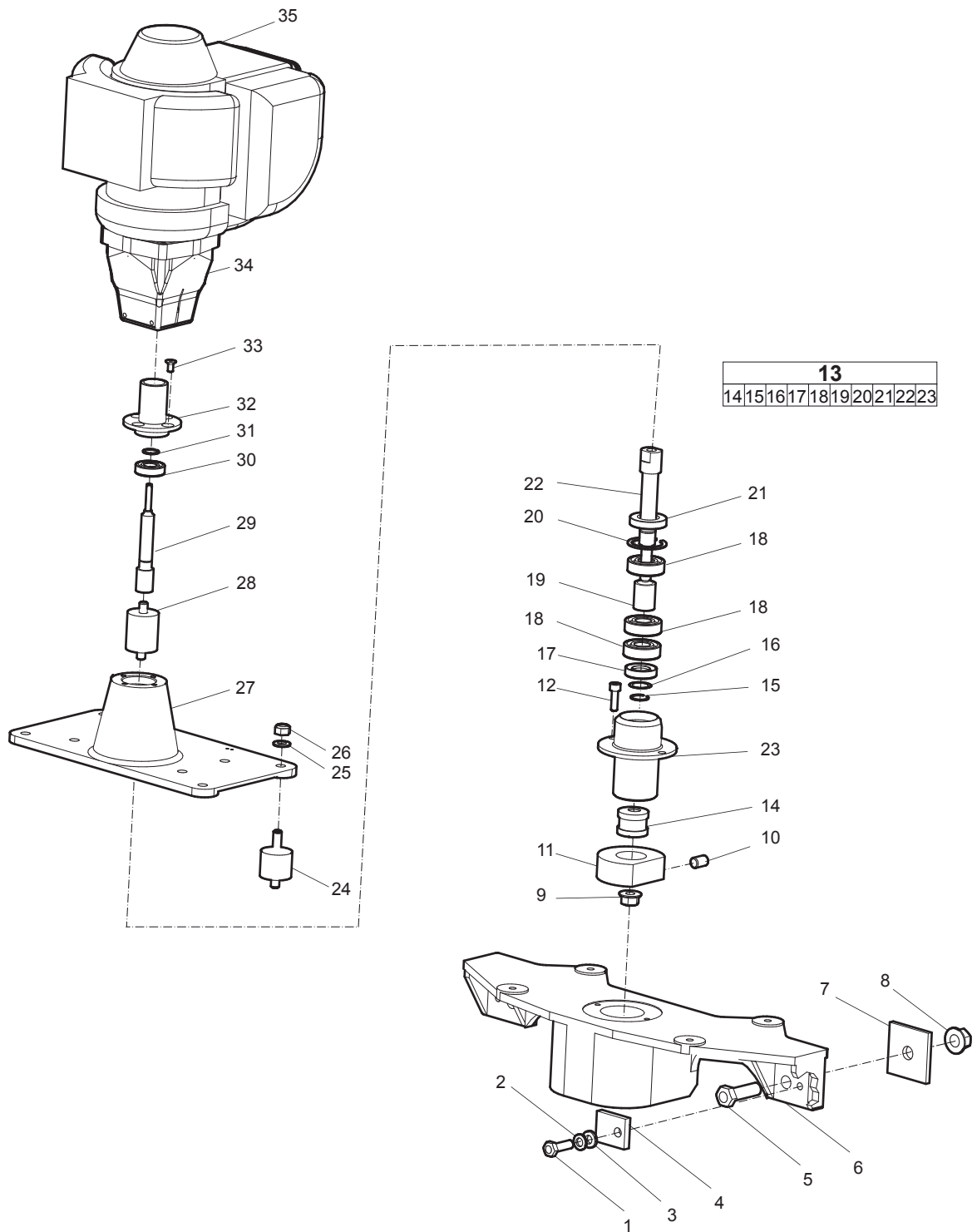
Spare parts list

BV 30 Handle



No.	Description	Remark	Quantity	Part number
1	Nut	M8 CL6 (DIN985)	4	4700 5860 03
2	Washer	M8	4	4700 6000 06
3	Rubber plate		2	4700 3678 30
4	Screw	M5 x 10 mm CL10.9 (DIN7991)	4	4700 3678 50
5	Rubber washer		4	4700 3678 29
6	Washer		4	4700 3678 28
7	Screw	M8 x 40 mm CL8.8 (DIN933)	4	-
8	Spacer		1	4700 1172 30
9	Screw	M5 x 12 mm CL8.8 (DIN912)	1	-
10	Terminal		1	4700 3678 35
11	Screw	M8 x 20 mm CL8.8 (DIN603Mu)	2	-
12	Washer	8.4 x 26 x 5 mm TBR SB 0.33 x 1 x 0.19 in.	2	4700 6030 09
13	Adjustable lock lever		2	4700 3678 51
14	Adjustable lock lever		2	4700 3678 47
15	Bracket		2	4700 3678 48
16	Spacer		1	4700 3678 49
17	Bar		1	4700 1172 22
18	Stay bracket		1	4700 3678 45
19	Nut	M8 CL6 (DIN985)	1	4700 5860 03
20	Screw	M8 x 30 mm CL10.9 (DIN933)	1	4700 5000 22
21	Handle		2	4700 3635 06
22	Handle tube left		1	4700 3678 23
23	Screw	4.2 x 9.5 mm (DIN7981C) POZ	2	4700 5415 08
24	Spacer		1	4700 3678 46
25	Protection bar		1	4700 3678 26
26	Cable		1	4700 9000 08
27	Clamp		3	4700 3130 41
28	Handle tube right		1	4700 3678 24
29	Off switch		1	4700 3678 41
30	Throttle lever		1	4700 3678 43
31	Throttle wire		1	4700 0484 84
32	Terminal		1	4700 1800 80
33	Plastic hose		1	4700 0026 75

BV 30 Engine



No.	Description	Remark	Quantity	Part number
1	Screw	M8 x 25 mm CL8.8 (DIN933)	2	-
2	Washer	NORD-LOCK® 13.5 x 8.7 x 2.5 mm 0.53 x 0.34 x 0.09 in.	2	4700 1865 33
3	Washer	TBRB 8.4 x 16 x 3 mm Fzb 0.33 x 0.62 x 0.11 in.	2	4700 3678 38
4	Securing plate		2	4700 3678 39
5	Screw	M12 x 40 mm CL8.8 (ISO4017)	2	-
6	Lower plate		1	4812 0511 56
7	Washer		2	4700 1172 51
8	Flange nut	M12 (DIN6927)	2	4700 3687 22
9	Flange nut	M10 (DIN6923)	1	4700 3678 14
10	Set screw	M10 x 16 mm 45H (DIN913)	1	4700 3678 20
11	Eccenter weight		1	4700 3678 21
12	Screw	M6 x 20 mm CL8.8 (DIN912)	2	-
13(14-23)	Sleeve package kit		1	4700 0495 23
14	Hub		1	4700 3678 22
15	Retaining ring	Ø15 x 1.0 mm (DIN471) 0.59 x 0.03 in.	1	4700 1056 20
16	Washer	PB 15 x 21 x 0.2 mm (DIN988) 0.59 x 0.82 x 0.007 in.	1	4700 3680 38
17	Seal ring		1	4700 3678 19
18	Bearing	6202-ZZ	3	4700 3678 18
19	Spacer		1	4700 3678 13
20	Retaining ring	Ø35 x 1.5 mm (DIN472) 1.37 x 0.05 in.	1	4700 1510 09
21	Seal ring		1	4700 3678 17
22	Shaft		1	4700 3678 11
23	Sleeve		1	4700 3678 12
24	Shock absorber		4	4700 0026 31
25	Washer		4	4700 6000 06
26	Nut		4	4700 5860 03
27	Upper bracket		1	4812 0511 57
28	Shock absorber		1	4700 0026 30
29	Shaft		1	4700 1172 22
30	Bearing		1	4700 1172 23
31	Retaining ring	Ø12 x 1.0 mm (DIN471) 0.47 x 0.03 in.	1	4700 1500 03
32	Sleeve		1	4700 1172 24
33	Screw	M5 x 10 mm CL10.9 (DIN7991)	4	4700 3678 50
34	Cover		1	4700 1172 26
35	Engine	Honda GX35 NT T3 OH	1	4700 1172 27

NORD-LOCK® is a registered trademark of Nord-Lock International AB.

Kits

Maintenance kit

Description	Remark	Quantity	Part number
Maintenance kit		1	4700 1172 40
Throttle wire		1	4700 0484 84
Shock absorber	A30 x 25 mm M8 x 10/M8 x 20 mm NR40	1	4700 0026 30
Shock absorber	A30 x 36 mm M8 x 10 mm NR50	4	4700 0026 31
Screw	M12 x 40 mm CL8.8 (ISO4017)	2	-
Flange nut	M12 (DIN933 18)	2	-

Service kit

Description	Remark	Quantity	Part number
Service kit			
Spark plug	Honda 31914-ZOH-003	1	4700 1171 44
Air filter	Honda 17211-ZOZ-000	1	4700 1171 45
Fuel filter	Honda 17672-ZOH-003	4	4700 1171 46

Any unauthorized use or copying of the contents or any part thereof is prohibited.
This applies in particular to trademarks, model denominations, part numbers, and
drawings.

© 2012 Atlas Copco Construction Tools AB | No. 9800 1194 01 | 2012-05-02

Atlas Copco

www.atlascopco.com