

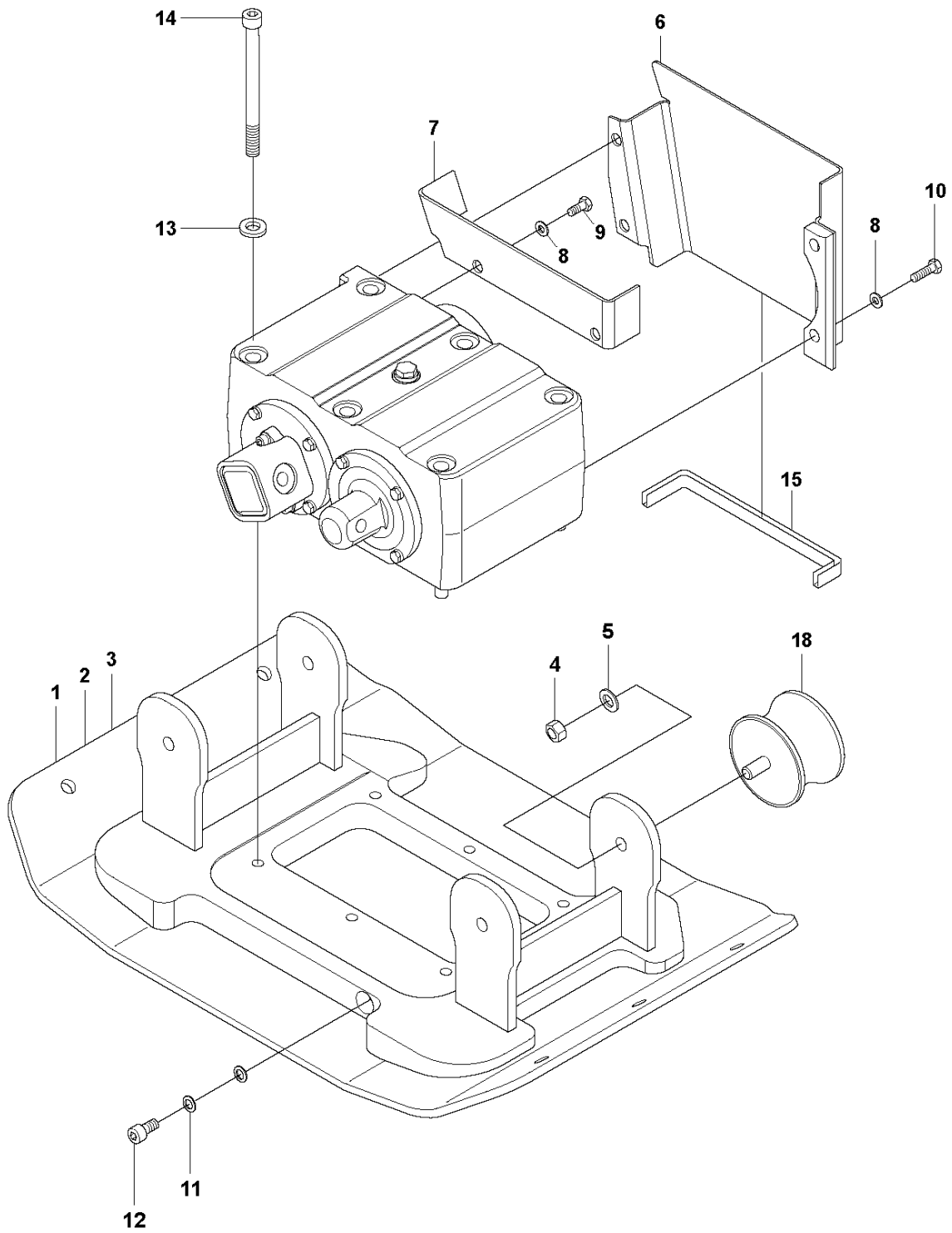


SPARE PARTS LIST

LIGHT COMPACTION

LG 164, 967855601, 967855602,
967897601, 967897602, 967897604,
967897605, 2019-08

A LG 164
GROUND PLATE & ECCENTRIC ELEMENT INSTALLATION

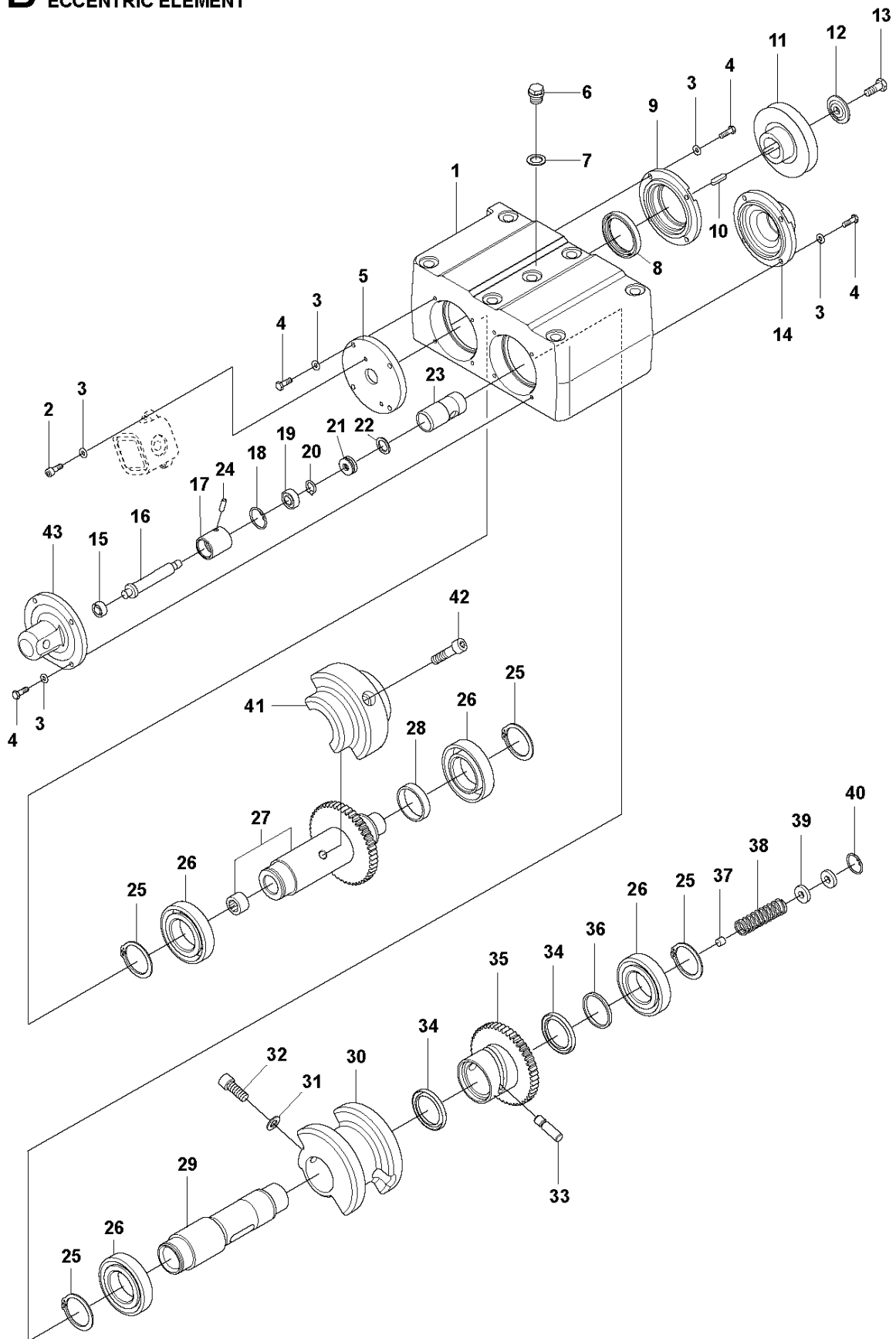


GROUND PLATE & ECCENTRIC ELEMENT INSTALLATION
 967897601, 967897602, 967897604, 967897605, 2019-08

LG 164, 967855601, 967855602,

Ref	Part No	Description	Remark	QTY KIT
1	595 36 88-01	PLATE	350 mm	1
2	594 48 09-01	PLATE	450 mm	1
3	595 46 49-01	PLATE	600 mm	1
4	595 35 18-01	NUT	m12	4
5	595 11 34-01	WASHER	DIN125	4
6	594 43 77-01	PROTECTION		1
7	594 47 81-01	PROTECTION		1
8	595 03 66-01	WASHER	DIN125	6
9	594 11 79-01	SCREW	m8 x 20	4
10	595 34 43-01	SCREW		2
11	594 51 21-01	WASHER		2
12	594 12 06-01	SCREW	M10x20H	1
13	595 11 30-01	WASHER	13x24x4 mm	6
14	594 84 41-01	SCREW		6
15	595 04 82-02	STRIP	STRIP 1 PCE = 0.275 M	1
18	594 47 75-01	ABSORBER		4

B LG 164
ECCENTRIC ELEMENT

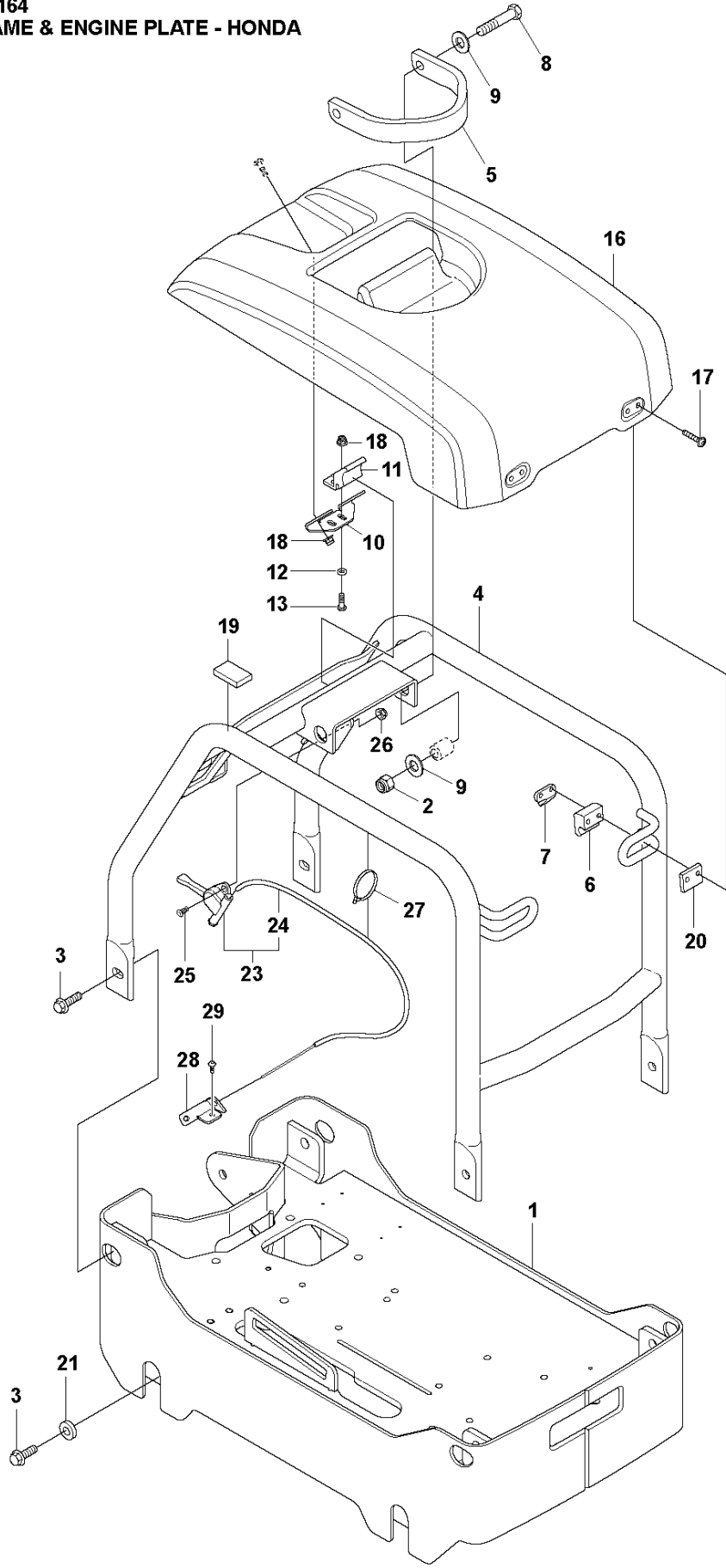


ECCENTRIC ELEMENT
967897605, 2019-08

LG 164, 967855601, 967855602, 967897601, 967897602, 967897604,

Ref	Part No	Description	Remark	QTY KIT
1	595 17 62-01	EXCENTER		1
2	595 34 80-01	SCREW	M6 x 20 mm 8.8 A2K	2
3	595 03 65-01	WASHER	6,4 x 12 x 1,5	18
4	595 10 98-01	SCREW	M6x20 mm 8.8 A2K	16
5	594 43 59-01	COVER		1
6	595 04 83-01	PLUG	M16	1
7	595 04 78-01	GASKET	16.7 x 24 x 1.5 mm Type A M16	1
8	594 54 74-01	SEALING		1
9	594 43 58-01	COVER		1
10	595 05 08-01	KEY		1
11	594 47 82-01	PULLEY		1
12	594 32 63-01	WASHER		1
13	595 07 11-01	SCREW	M10 x 25 mm 8.8 A3K	1
14	594 64 37-01	COVER		1
15	594 33 22-01	SEALING		1
16	594 64 33-01	PISTON ROD		1
17	594 64 50-01	CAP		1
18	594 26 64-01	RING		1
19	594 64 75-01	BALL BEARING		1
20	595 35 33-01	CIRCLIP		1
21	594 64 76-01	BALL BEARING		1
22	594 64 77-01	SPRING WASHER		1
23	594 64 35-01	PISTON		1
24	595 03 11-01	PIN	6x20	1
25	595 11 41-01	CIRCLIP		4
26	594 53 11-01	ROLLER BEARING		4
27	594 43 74-01	SHAFT		1
28	594 32 59-01	SPACER RING		1
29	594 64 36-01	SHAFT		1
30	594 32 52-01	EXCENTER		1
31	595 06 68-01	WASHER	13 x 24 x 2 mm 300 HV	1
32	594 52 62-01	SCREW	M12 x 30mm 10.9GEOMET®	1
33	594 32 58-01	PIN		1
34	594 55 05-01	BALL BEARING		2
35	594 65 37-01	GEAR WHEEL		1
36	594 32 60-01	SPACER RING		1
37	594 54 65-01	STOP SCREW		1
38	594 32 69-01	SPRING		1
39	594 32 62-01	WASHER		2
40	595 04 60-01	RETAINER RING		1
41	594 80 37-01	EXCENTER		1
42	594 52 63-01	SCREW		1
43	594 64 32-01	CYLINDER		1

C LG 164
FRAME & ENGINE PLATE - HONDA

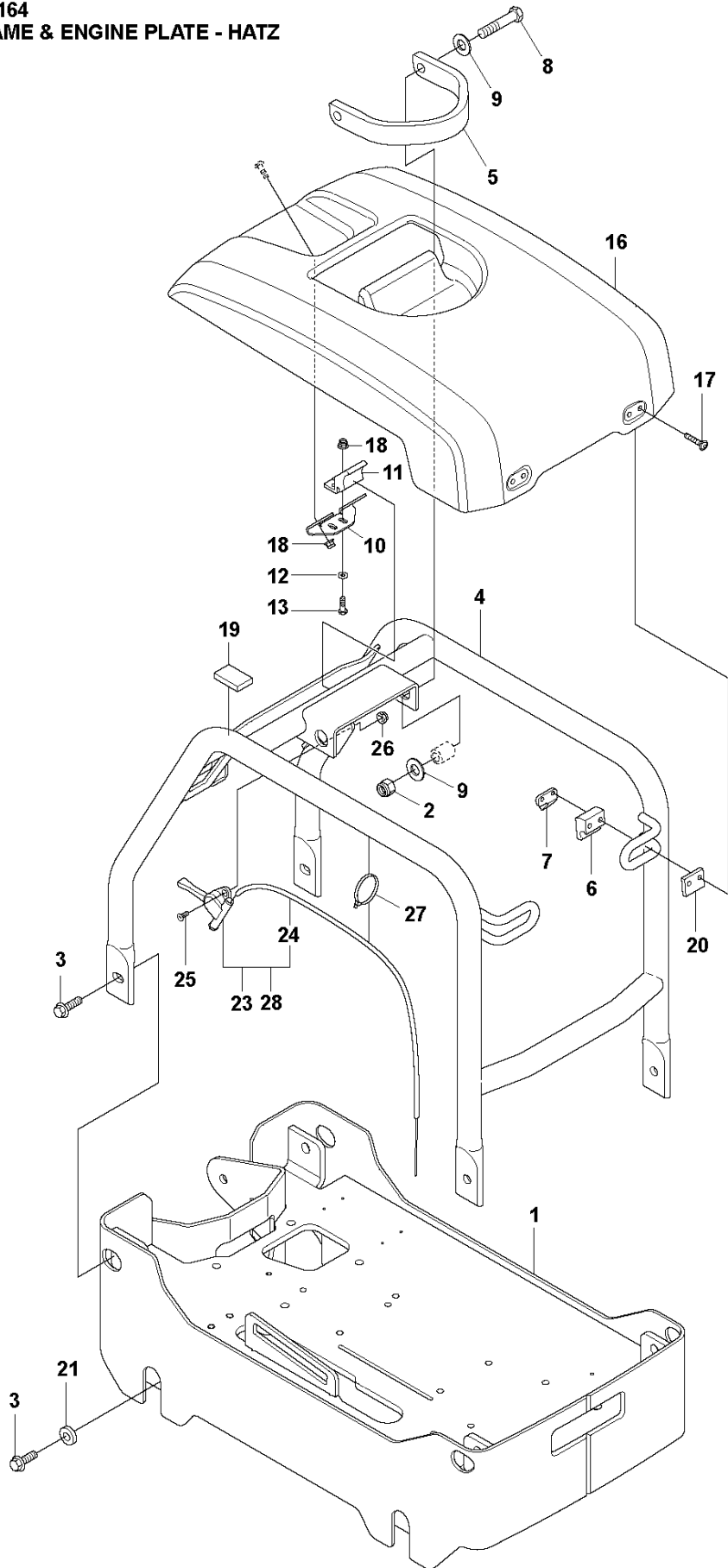


FRAME & ENGINE PLATE - HONDA
967897604, 967897605, 2019-08

LG 164, 967855601, 967855602, 967897601, 967897602,
967897604, 967897605, 2019-08

Ref	Part No	Description	Remark	QTY	KIT
1	595 36 86-01	ENGINE PLATE		1	
2	595 11 27-01	NUT		2	1
3	595 99 01-01	SCREW		8	1
4	594 18 64-01	PROTECTION		1	
5	594 15 09-01	HANDLE		1	
6	594 46 96-01	CLIP		2	
7	594 47 15-01	STOP		2	
8	594 11 92-01	SCREW		2	
9	595 11 54-01	WASHER		4	
10	595 36 90-01	BRACKET		1	
11	595 12 88-01	CLIP		1	
12	595 03 65-01	WASHER	6.4 x 12 x 1.6	2	
13	595 10 98-01	SCREW		2	
16	594 96 02-01	HOOD		1	
17	594 12 11-01	SOCKET		4	
18	595 11 26-01	NUT		6	
19	595 52 39-01	PLATE		2	
20	594 18 52-01	PLATE		2	
21	595 36 89-01	WASHER	10.5 x 22 x 4 mm, 0.41 x 0.87 x 0.16 in. 300 HV	4	
23	594 47 87-01	THROTTLE CONTROL		1	
24	594 75 85-01	WIRE		1	23
25	595 11 15-01	SCREW		2	
26	595 35 22-01	LOCK NUT		2	
27	594 12 60-01	CABLE		2	
28	594 16 76-01	BRACKET		1	
29	595 06 58-01	SCREW	M5 x 12 mm 10.9 FZB	1	

D LG 164
FRAME & ENGINE PLATE - HATZ

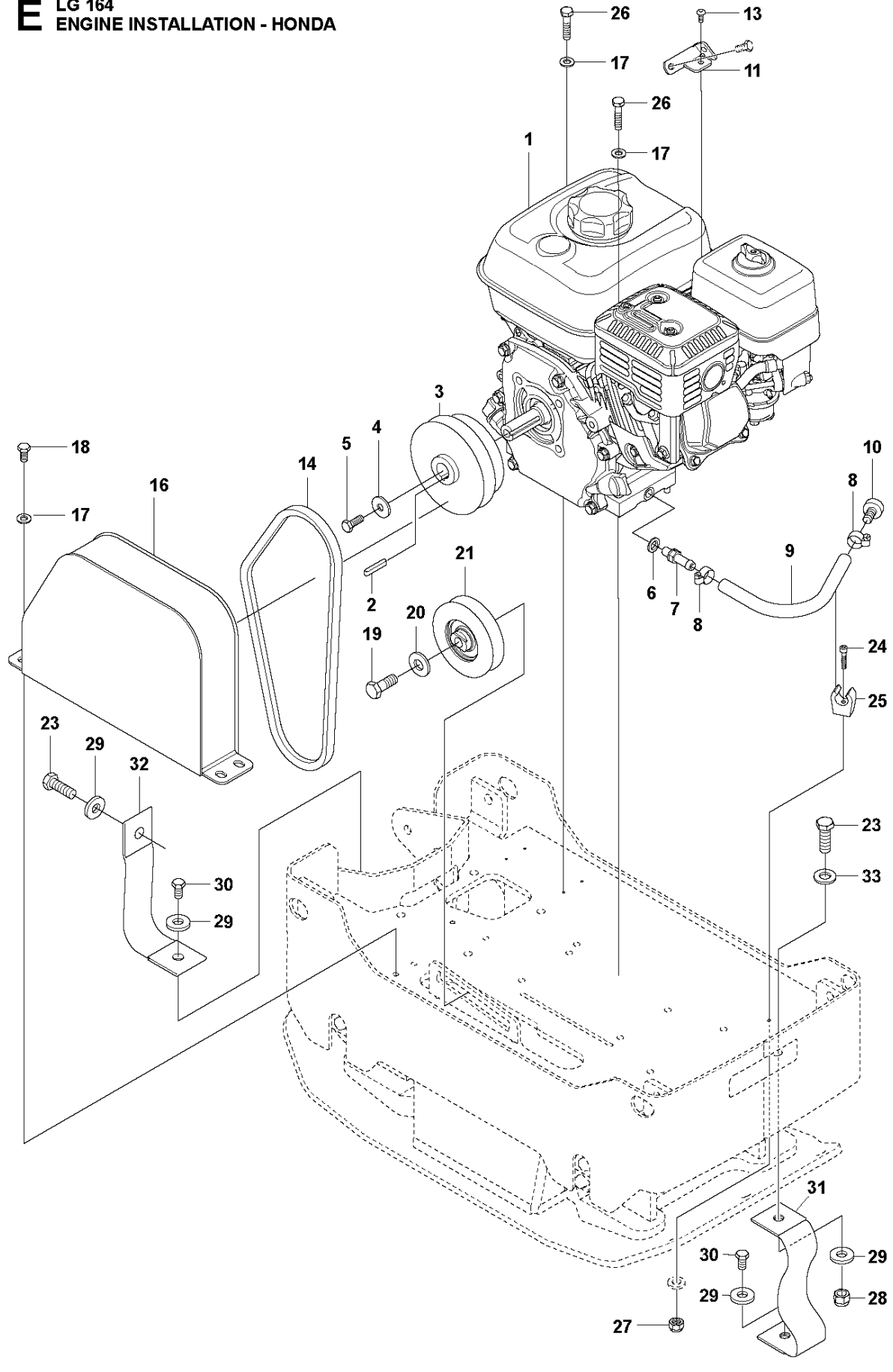


FRAME & ENGINE PLATE - HATZ
 967897604, 967897605, 2019-08

LG 164, 967855601, 967855602, 967897601, 967897602,
 967897604, 967897605, 2019-08

Ref	Part No	Description	Remark	QTY	KIT
1	595 36 86-01	ENGINE PLATE		1	
2	595 11 27-01	NUT		2	
3	595 99 01-01	SCREW		8	
4	594 18 64-01	PROTECTION		1	
5	594 15 09-01	HANDLE		1	
6	594 46 96-01	CLIP		2	
7	594 47 15-01	STOP		2	
8	594 11 92-01	SCREW		2	
9	595 11 54-01	WASHER		4	
10	595 36 90-01	BRACKET		1	
11	595 12 88-01	CLIP		1	
12	595 03 65-01	WASHER		2	
13	595 10 98-01	SCREW		2	
16	594 96 02-01	HOOD		1	
17	594 12 11-01	SOCKET		4	
18	595 11 26-01	NUT		6	
19	595 52 39-01	PLATE		2	
20	594 18 52-01	PLATE		2	
21	595 36 89-01	WASHER	10.5 x 22 x 4 mm, 0.41 x 0.87 x 0.16 in. 300 HV	4	
23	594 17 65-01	THROTTLE CONTROL	EPA	1	
24	594 75 86-01	WIRE		1	23, 28
25	595 11 15-01	SCREW		2	
26	595 35 22-01	LOCK NUT		2	
27	594 12 60-01	CABLE		2	
28	594 48 17-01	THROTTLE CONTROL	Non EPA	1	

E LG 164
ENGINE INSTALLATION - HONDA

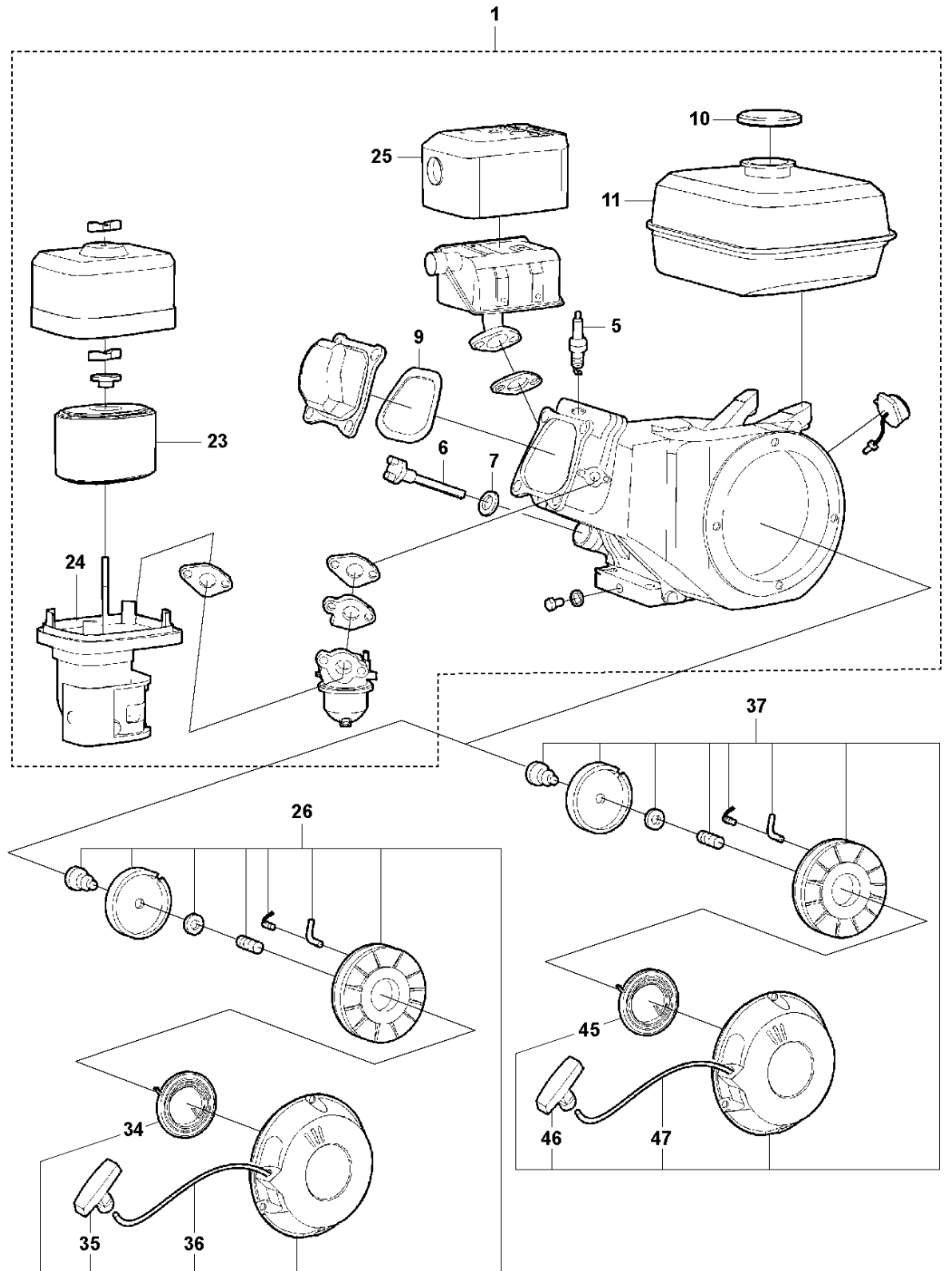


ENGINE INSTALLATION - HONDA
967897604, 967897605, 2019-08

LG 164, 967855601, 967855602, 967897601, 967897602,

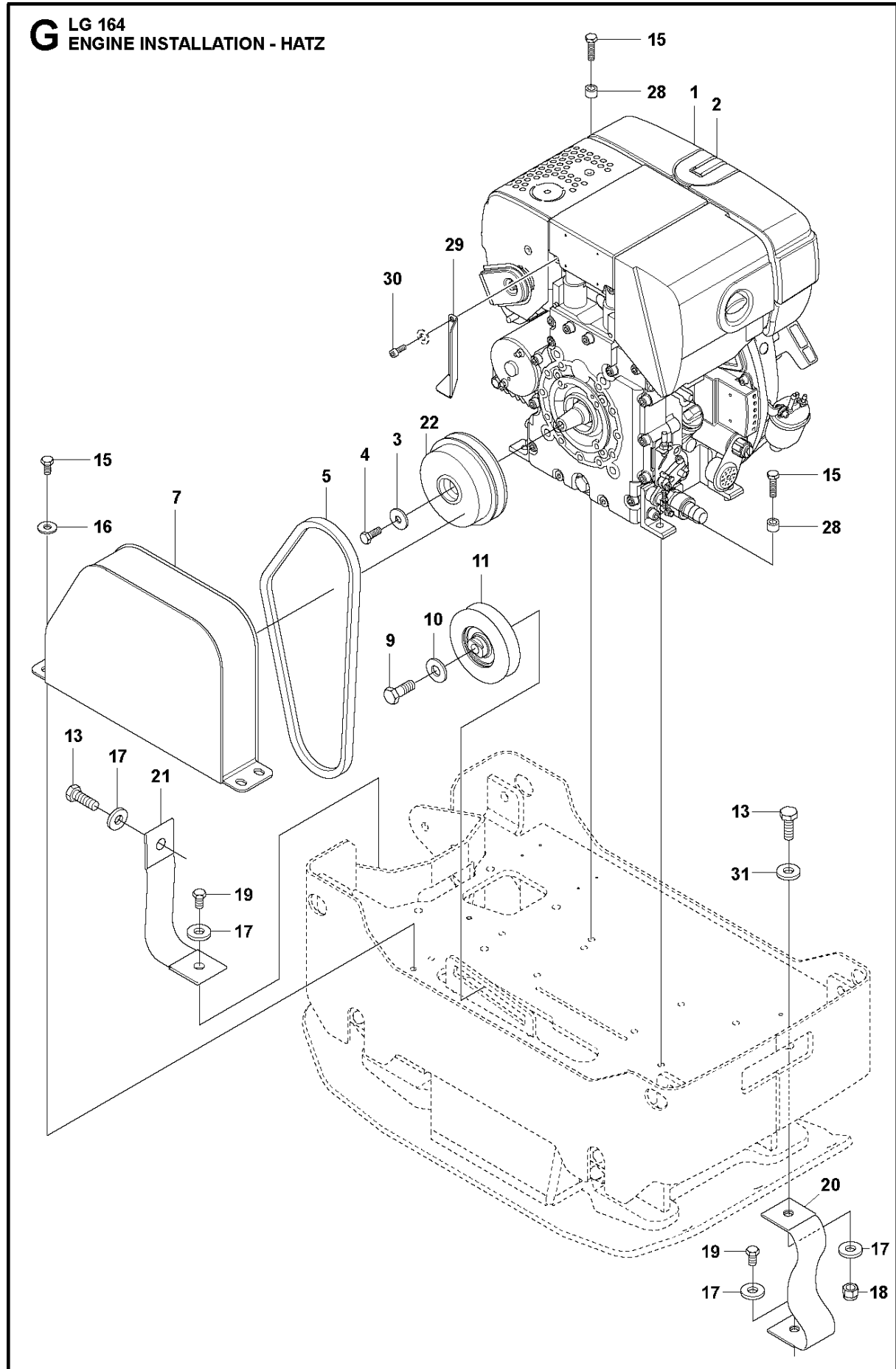
Ref	Part No	Description	Remark	QTY KIT
1	594 32 99-01	ENGINE	Honda GX160UT2 SXS4 SD	1
2	595 37 51-01	KEY		1
3	594 48 58-01	CENTRIFUGAL CLUTCH		1
4	595 11 29-01	WASHER	8.4 x 26 x 4 mm 300 HV	1
5	594 11 79-01	SCREW	M8 x 20 mm 8.8 A2K	1
6	595 29 03-01	WASHER	Washer, 10x14x 1 mm	1
7	594 64 82-01	HOSE CONNECTOR		1
8	595 45 46-01	CLAMP	11-18 x 9 mm, 0.43 -0.71 x 0.35 in.	2
9	594 14 78-01	HOSE		1
10	594 14 73-01	PLUG		1
11	594 16 76-01	BRACKET		1
13	595 06 58-01	SCREW		1
14	594 18 93-01	V-BELT		1
16	595 27 89-01	BELT GUARD		1
17	595 03 66-01	WASHER	8.4 X2 2 X 3 mm	8
18	595 11 01-01	SCREW	m8 x 16	4
19	594 11 90-01	BOLT		1
20	594 74 77-01	WASHER		1
21	594 32 79-01	BELT		1
23	595 11 03-01	SCREW		2
24	595 99 05-01	SCREW	M5 x 25 mm	1
25	594 33 10-01	CLIP		1
26	595 34 43-01	SCREW		4
27	595 35 24-01	NUT	M5 A2K	1
28	595 11 27-01	NUT		2
28	594 12 40-01	WASHER	"13 x 36 x 6 mm, 0.51x1.42x0.24"" 300HV"	4
30	595 34 52-01	BOLT		2
31	594 14 30-01	STRAP		1
29	594 12 40-01	WASHER		4
32	594 14 36-01	STRAP		1
33	595 11 34-01	WASHER		1

F LG 164
ENGINE - HONDA GX 160 UT2 SXS4 OH



ENGINE - HONDALG 164, 967855601, 967855602, 967897601, 967897602, 967897604, 967897605, 2019-08

Ref	Part No	Description	Remark	QTY	KIT
1	594 16 11-01	ENGINE	Engine, Honda GX160UT2 SXS4 SD	1	
5	594 20 40-01	SPARK PLUG		1	1
6	594 20 38-01	OIL		1	1
7	595 37 42-01	CAP		1	1
9	595 04 88-01	GASKET		1	1
10	594 20 46-01	FUEL CAP		1	1
11	594 20 45-01	FUEL TANK		1	1
23	594 30 21-01	AIR FILTER		1	1
24	594 58 24-01	ADAPTER		1	1
25	594 30 02-01	MUFFLER COVER		1	1
26	594 30 06-01	STARTER		1	
34	594 30 39-01	SPRING		1	26
35	594 30 48-01	HANDLE		1	26
36	595 04 91-01	ROPE		1	26
37	594 20 48-01	STARTER		1	
45	594 30 39-01	SPRING		1	37
46	594 30 48-01	HANDLE		1	37
47	595 04 91-01	ROPE		1	37

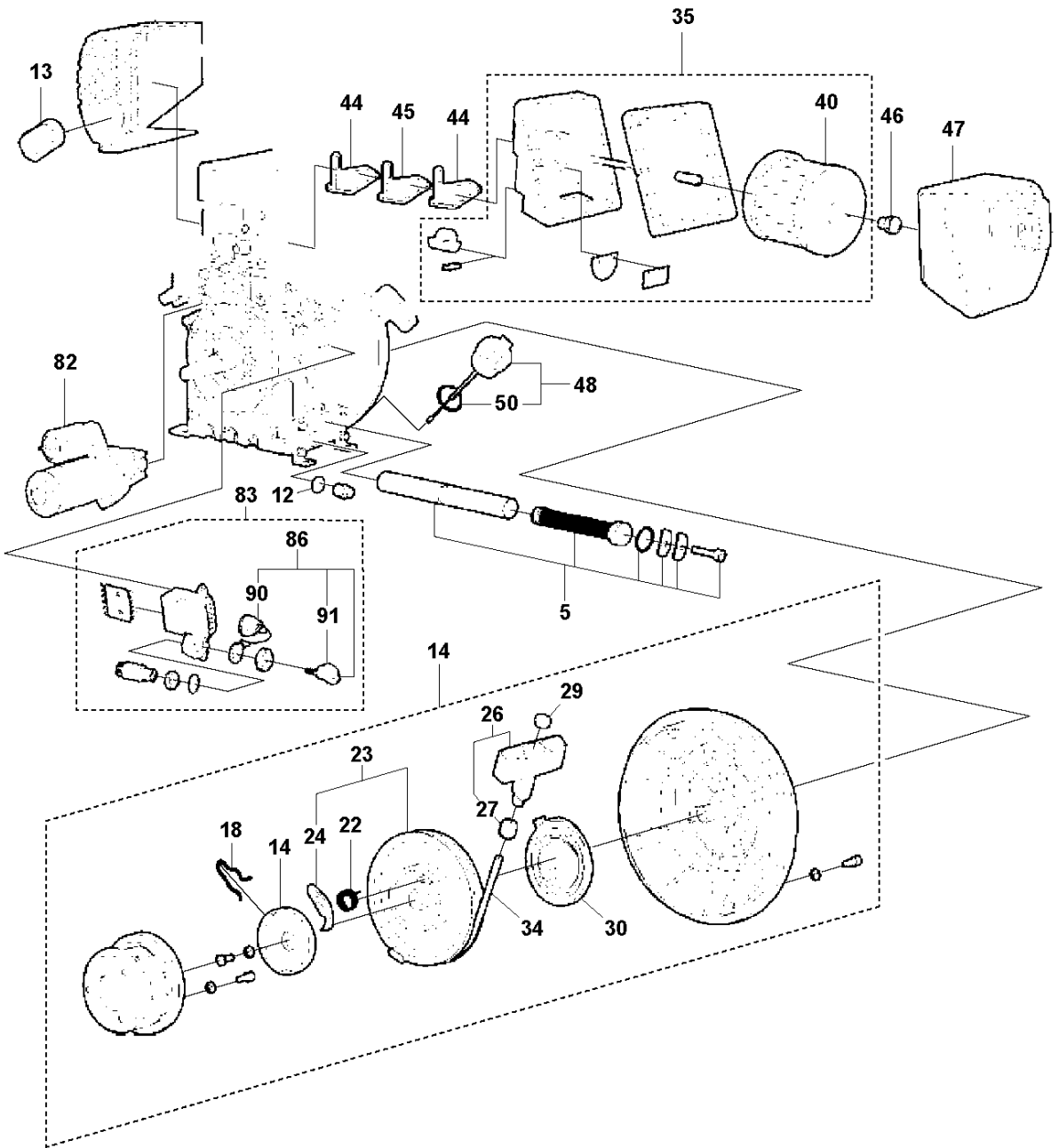


ENGINE INSTALLATION - HATZ
967897604, 967897605, 2019-08

LG 164, 967855601, 967855602, 967897601, 967897602,

Ref	Part No	Description	Remark	QTY KIT
1	595 36 53-01	ENGINE	Engine, Hatz 1B20 manual start EPA	1
2	596 24 12-14	ENGINE	Engine,Hatz 1B20 Manual	1
3	595 11 29-01	WASHER	8.4 x 26 x 4 mm, 0.33 x 1.02 x 0.16 in. 300 HV	1
4	595 03 34-01	SCREW		1
5	594 33 27-01	BELT		1
7	595 27 90-01	BELT GUARD		1
9	594 11 90-01	BOLT		1
10	595 11 28-01	WASHER	10.5 x 22 x 4 mm, 0.41 x 0.87 x 0.16 in. 300 HV	1
11	594 32 79-01	BELT		1
13	595 11 03-01	SCREW		2
15	595 34 43-01	SCREW		4
16	595 03 66-01	WASHER	DIN125	4
17	594 12 40-01	WASHER	"13 x 36 x 6 mm, 0.51x1.42x0.24"" 300HV"	4
18	595 11 27-01	NUT		2
19	595 34 52-01	BOLT		2
20	594 14 30-01	STRAP		2
21	594 14 36-01	STRAP		1
22	594 43 10-01	CENTRIFUGAL CLUTCH		1
28	594 18 15-01	SPACER		4
29	594 82 78-01	DEFLECTOR		1
30	595 03 42-01	SCREW		1
31	595 11 34-01	WASHER		1

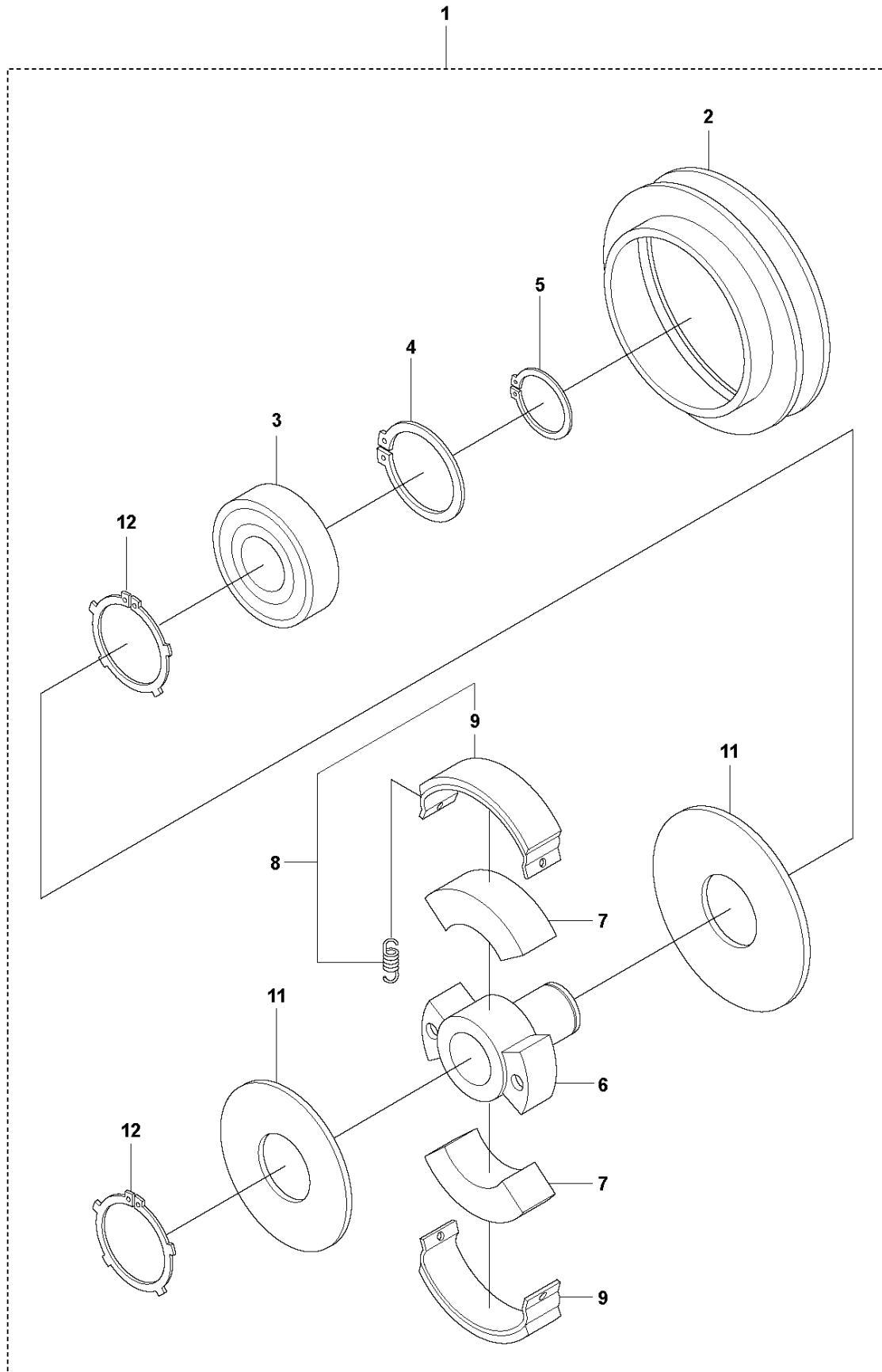
H LG 164
ENGINE - HATZ 1B20



ENGINE - HATZ LG 164, 967855601, 967855602, 967897601, 967897602, 967897604, 967897605, 2019-08

Ref	Part No	Description	Remark	QTY	KIT
5	594 57 01-01	STRAINER		1	
12	594 51 30-01	GASKET		1	
13	594 57 04-01	EXHAUST PIPE		1	
14	594 56 84-01	STARTER		1	
18	594 56 92-01	SPRING		1	14
22	594 56 97-01	SPRING		1	14
23	594 56 91-01	REEL		1	14
24	594 56 96-01	RATCHET		1	14, 23
26	594 56 85-01	KNOB		1	14
27	594 20 24-01	SLEEVE		1	14, 26
29	594 20 25-01	STOP		1	14
30	594 56 86-01	SPIRAL SPRING		1	14
34	594 56 90-01	ROPE		1	14
35	594 20 27-01	HOUSING		1	
40	594 57 11-01	FILTER		1	
44	594 57 20-01	GASKET		2	
45	595 47 02-01	GASKET		1	
46	594 57 12-01	NUT		1	
47	594 19 10-01	PROTECTIVE COVER		1	
48	594 57 80-01	OIL		1	
50	594 60 55-01	O-RING		1	
82	594 58 52-01	STARTER		1	
83	594 59 48-01	BOX		1	83
86	594 58 15-01	IGNITION SWITCH		1	83
90	595 37 36-01	COVER		1	86
91	594 20 57-01	KEY		1	86

J LG 164
CENTRIFUGAL CLUTCH - HONDA

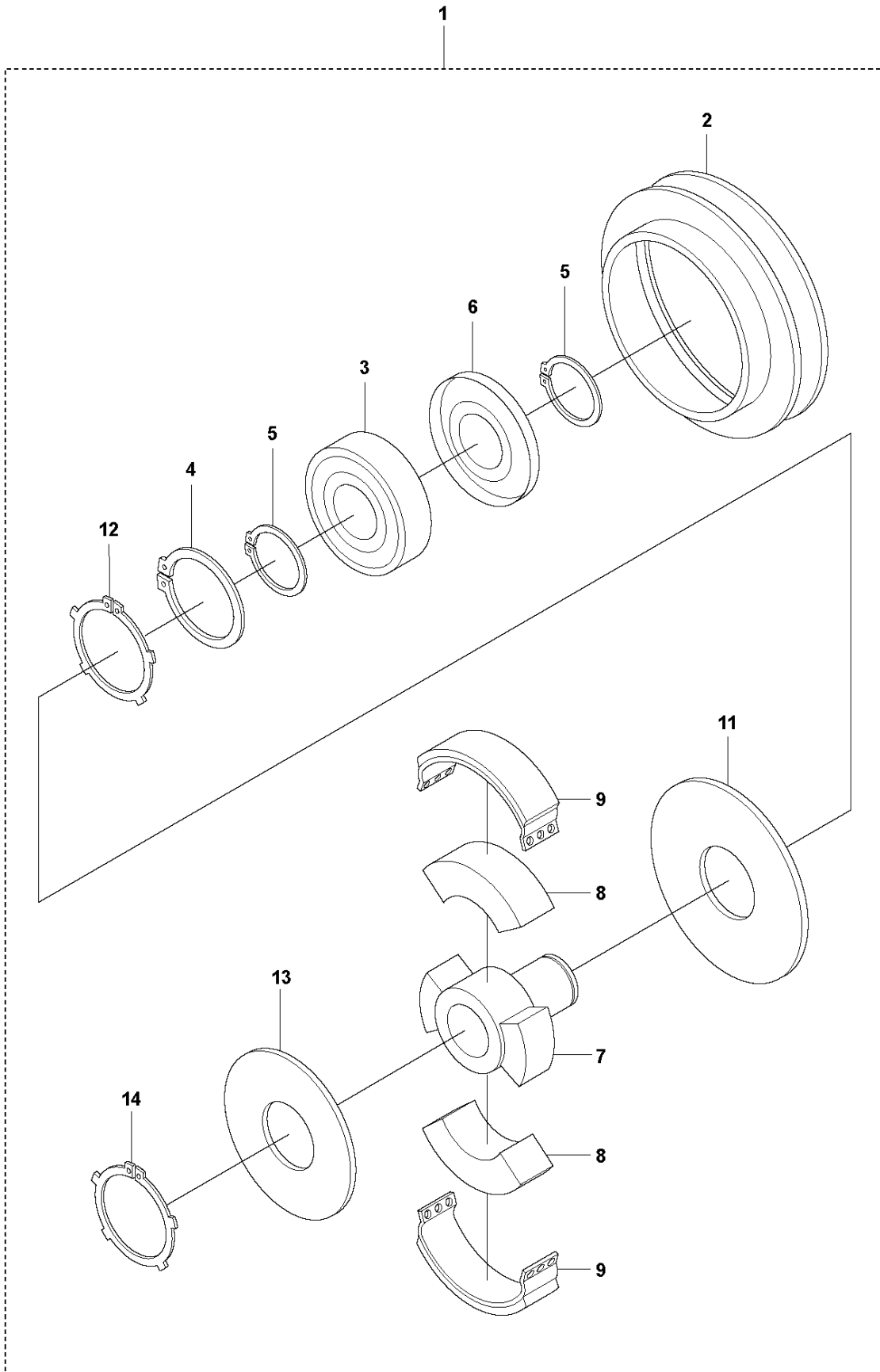


CENTRIFUGAL CLUTCH - HONDA
 967897604, 967897605, 2019-08

LG 164, 967855601, 967855602, 967897601, 967897602,

Ref	Part No	Description	Remark	QTY KIT	
1	594 48 58-01	CENTRIFUGAL CLUTCH		1	
2	594 60 99-01	V-BELT		1	1
3	594 25 91-01	BALL BEARING		1	1
4	595 04 61-01	SNAP RING		1	1
5	595 04 55-01	SNAP RING		1	1
6	594 58 40-01	HUB		1	1
7	594 30 14-01	WEIGHT		2	1
8	594 60 66-01	CLUTCH		1	1
9	594 60 53-01	CLUTCH		2	1, 8
11	594 31 23-01	COVER		2	1
12	594 31 19-01	RING		2	1

K LG 164
CENTRIFUGAL CLUTCH - HATZ

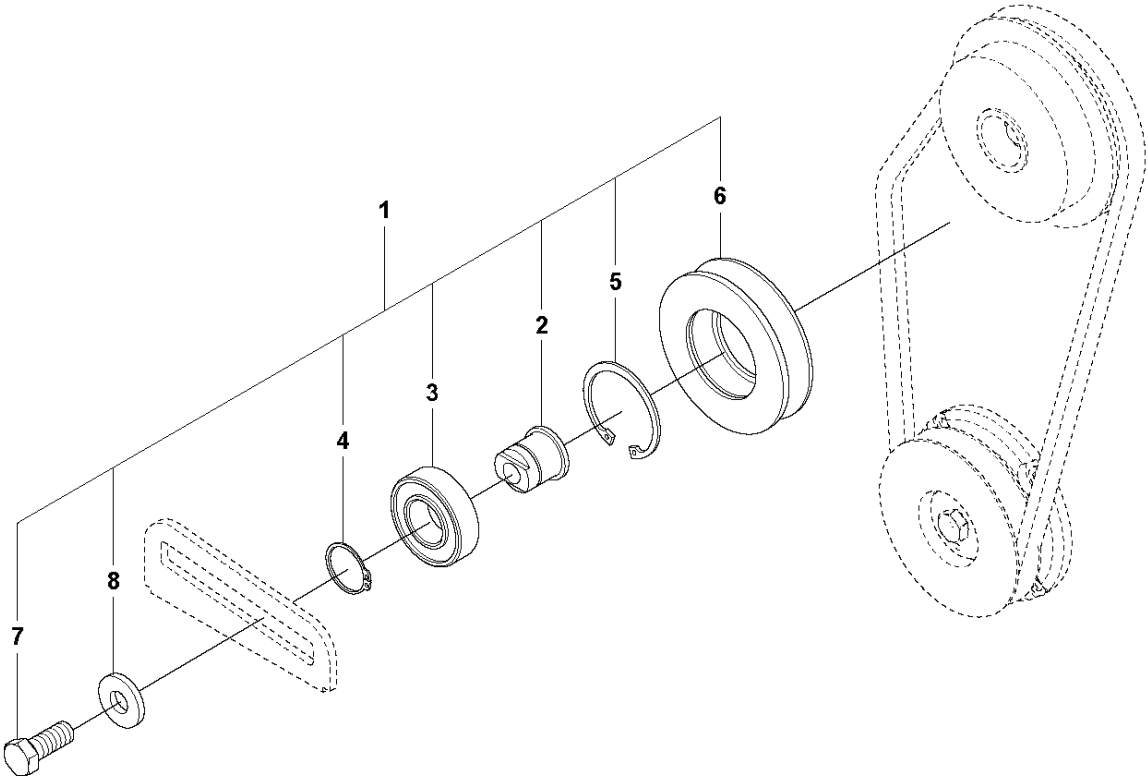


CENTRIFUGAL CLUTCH - HATZ
967897604, 967897605, 2019-08

LG 164, 967855601, 967855602, 967897601, 967897602,

Ref	Part No	Description	Remark	QTY	KIT
1	594 43 10-01	CENTRIFUGAL CLUTCH		1	
2	594 57 22-01	NUT		1	1
3	594 58 43-01	BALL BEARING		1	1
4	594 58 44-01	RING		1	1
5	594 58 45-01	RING		2	1
6	594 26 37-01	RING		1	1
7	594 57 23-01	HUB		1	1
8	594 30 14-01	WEIGHT		2	1
9	594 60 53-01	CLUTCH		2	1
11	594 31 31-01	COVER		1	1
12	594 30 88-01	RING		1	1
13	594 31 23-01	COVER		1	1
14	594 31 19-01	RING		1	1

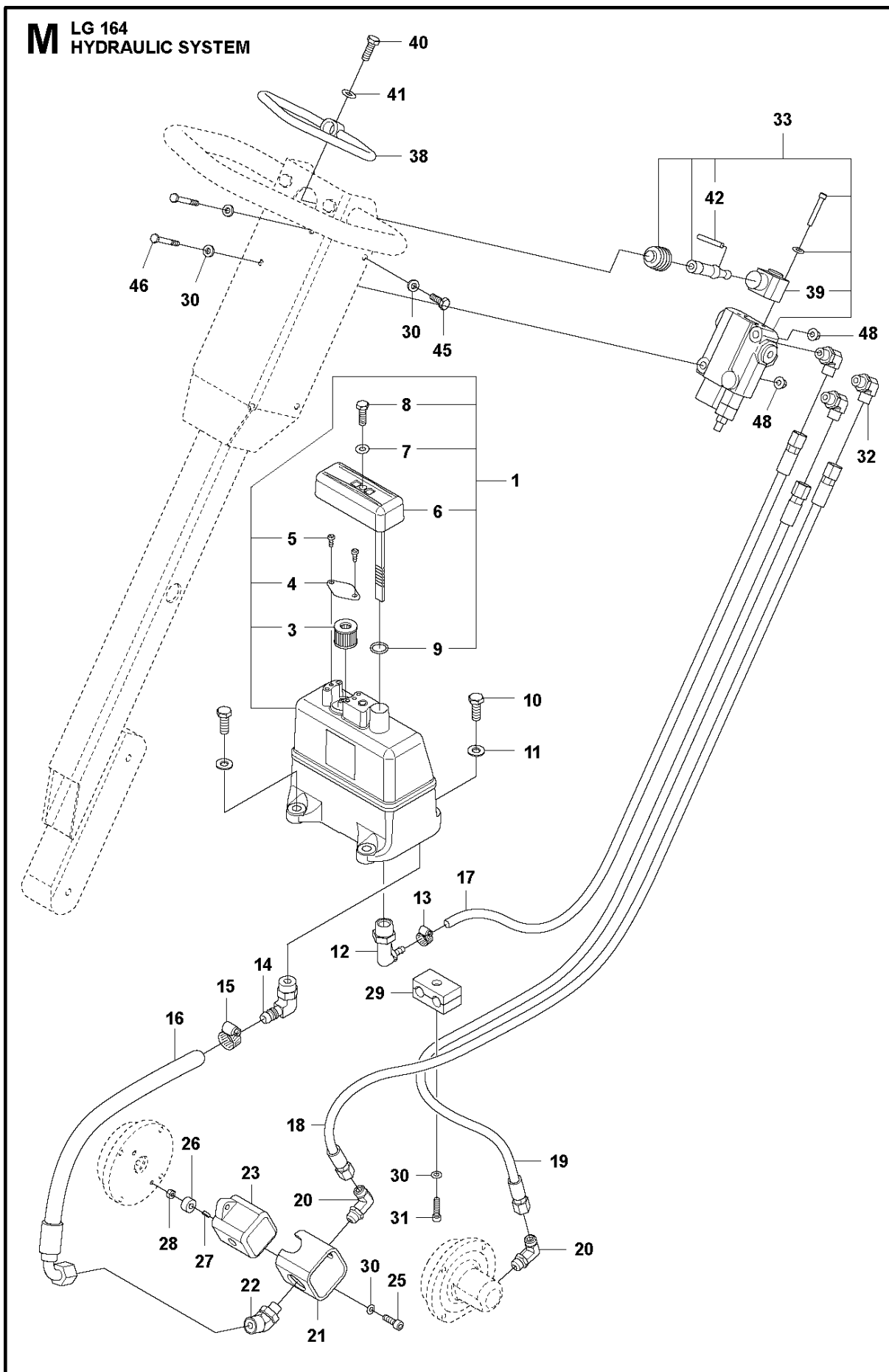
L LG 164
BELT TIGHTENER



BELT TIGHTENER
967897605, 2019-08

LG 164, 967855601, 967855602, 967897601, 967897602, 967897604,

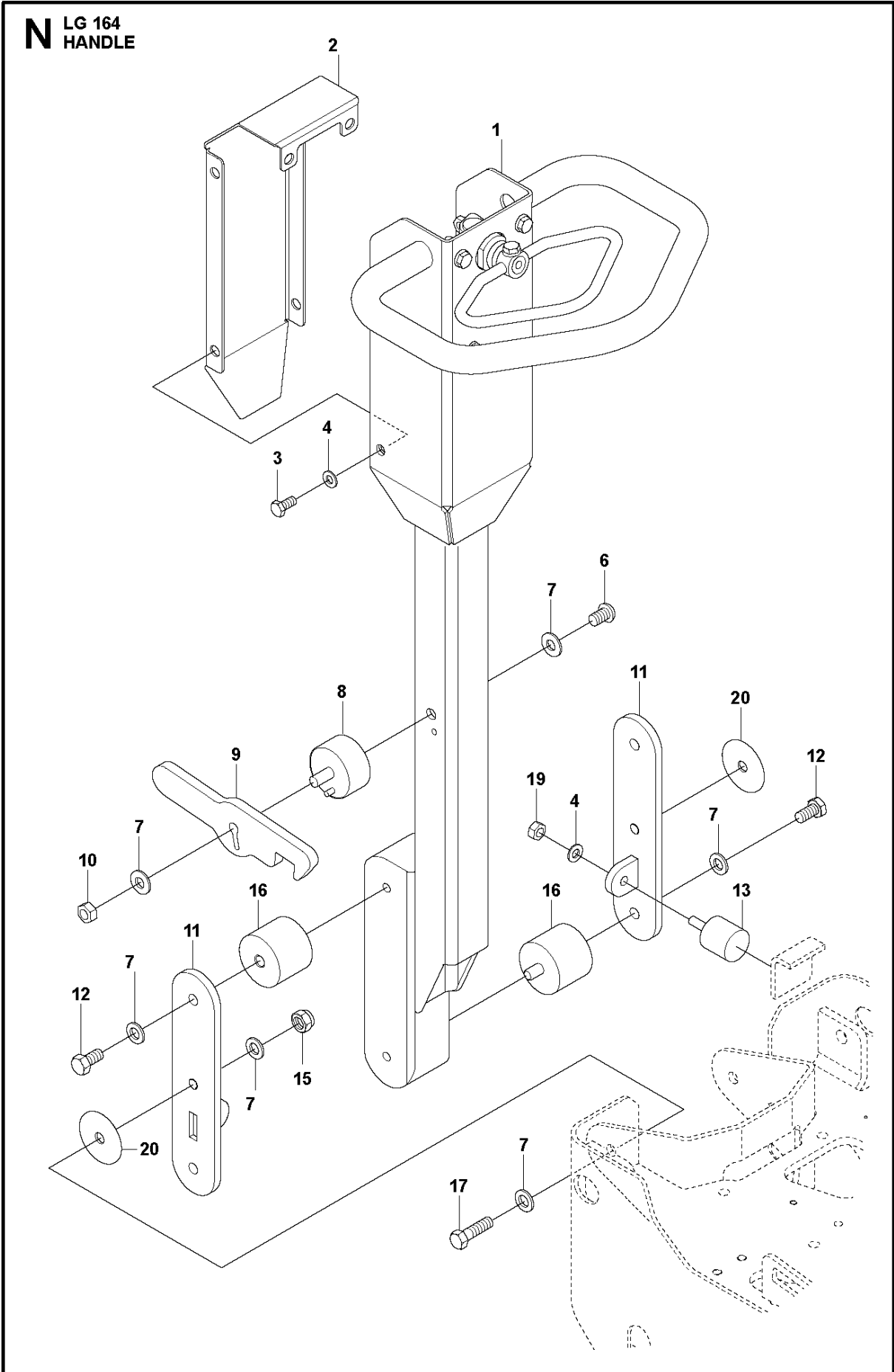
Ref	Part No	Description	Remark	QTY	KIT
1	594 32 79-01	BELT		1	
2	594 32 81-01	SHAFT		1	1
3	595 04 50-01	BEARING		1	1
4	594 12 47-01	RETAINER RING		1	1
5	594 12 50-01	CIRCLIP		1	1
6	594 32 80-01	BELT		1	1
7	594 11 90-01	BOLT		1	1
8	595 11 28-01	WASHER		1	1



HYDRAULIC SYSTEM
967897605, 2019-08

LG 164, 967855601, 967855602, 967897601, 967897602, 967897604,

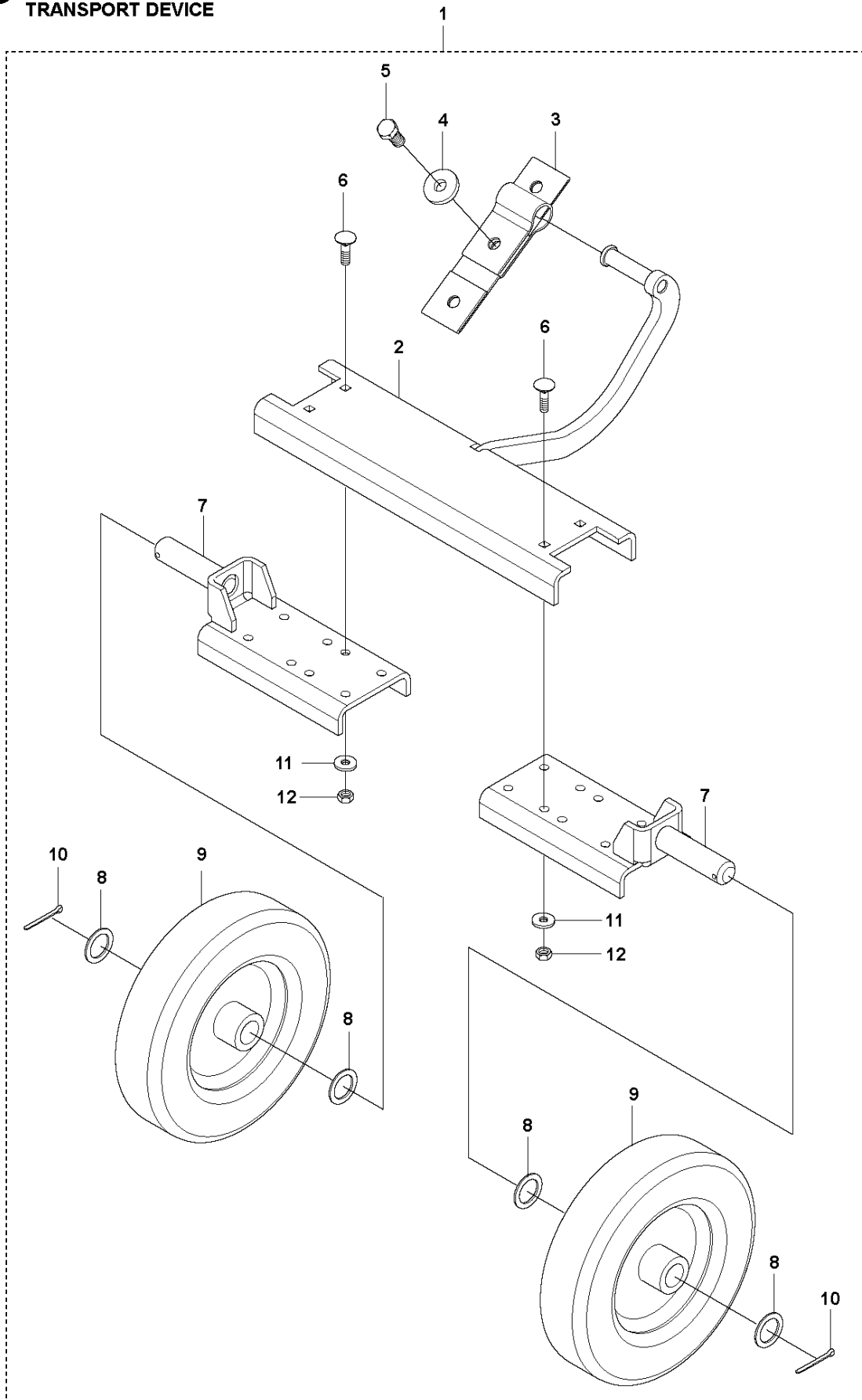
Ref	Part No	Description	Remark	QTY	KIT
1	594 42 63-01	HYDRAULIC TANK		1	
3	594 44 55-01	AIR FILTER		1	1
4	594 44 54-01	FILTER HOLDER		1	1
5	594 83 88-01	SCREW	K50 x 12 mm Type KX-PT	2	1
6	594 44 31-01	COVER		1	1
7	595 03 66-01	WASHER	8.4x 6x1.5 mm 300HV	1	1
8	595 03 34-01	SCREW	M8x25 mm 8.8 A2K	1	1
9	595 04 73-01	O-RING		1	1
10	595 07 11-01	SCREW		4	
11	595 11 33-01	WASHER		4	
12	594 42 60-01	ADAPTER		1	
13	595 16 07-01	HOSE CLAMP		1	
14	595 06 93-01	ADAPTER		1	
15	595 45 47-01	CLAMP		1	
16	594 48 02-01	HYDRAULIC HOSE		1	
17	594 47 80-01	HYDRAULIC HOSE		1	
18	594 49 76-01	HYDRAULIC HOSE		1	
19	594 49 77-01	HYDRAULIC HOSE		1	
20	594 12 75-01	NIPPLE		2	
21	594 32 43-01	PROTECTIVE COVER		1	
22	594 52 37-01	ELBOW		1	
23	594 45 53-01	PUMP		1	
25	595 34 80-01	SCREW	M6x20 mm 8.8 A2K	2	
26	594 54 71-01	KEY		1	
27	594 54 89-01	GEAR		1	
28	595 28 75-01	HEXAGON NUT	M6 ISO 4032	1	
29	594 52 42-01	PIPE CLAMP		1	
30	595 03 65-01	WASHER		5	
31	595 34 81-01	SOCKET		1	
32	594 12 73-01	CONNECTOR		3	
33	594 34 76-01	VALVE	COMPLETE	1	
38	595 36 92-01	LEVER		1	
39	594 20 86-01	LEVER		1	33
40	595 03 34-01	SCREW	M8 x 25	2	
41	595 03 66-01	WASHER	DIN125	8	
42	594 20 87-01	PIN		1	33
45	595 11 01-01	SCREW		2	
46	595 11 00-01	BOLT		2	
48	595 03 60-01	LOCK NUT		2	



HANDLE LG 164, 967855601, 967855602, 967897601, 967897602, 967897604, 967897605, 2019-08

Ref	Part No	Description	Remark	QTY KIT
1	595 36 93-01	HANDLE		1
2	595 36 95-01	COVER		1
3	595 11 01-01	SCREW	m8 x 16	4
4	595 03 66-01	WASHER	DIN125	9
6	594 74 70-01	SCREW		1
7	594 74 74-01	WASHER		10
8	594 46 27-01	ABSORBER		1
9	594 45 15-01	HOOK		1
10	595 02 94-01	NUT		1
11	595 46 46-01	HOLDER		2
12	594 11 84-01	SCREW		4
13	594 52 45-01	ABSORBER		2
15	594 12 31-01	LOCK NUT		2
16	594 52 44-01	ABSORBER		4
17	594 11 86-01	SCREW		2
19	595 03 57-01	NUT	DIN934	1
20	594 52 46-01	WASHER		2

P LG 164
TRANSPORT DEVICE

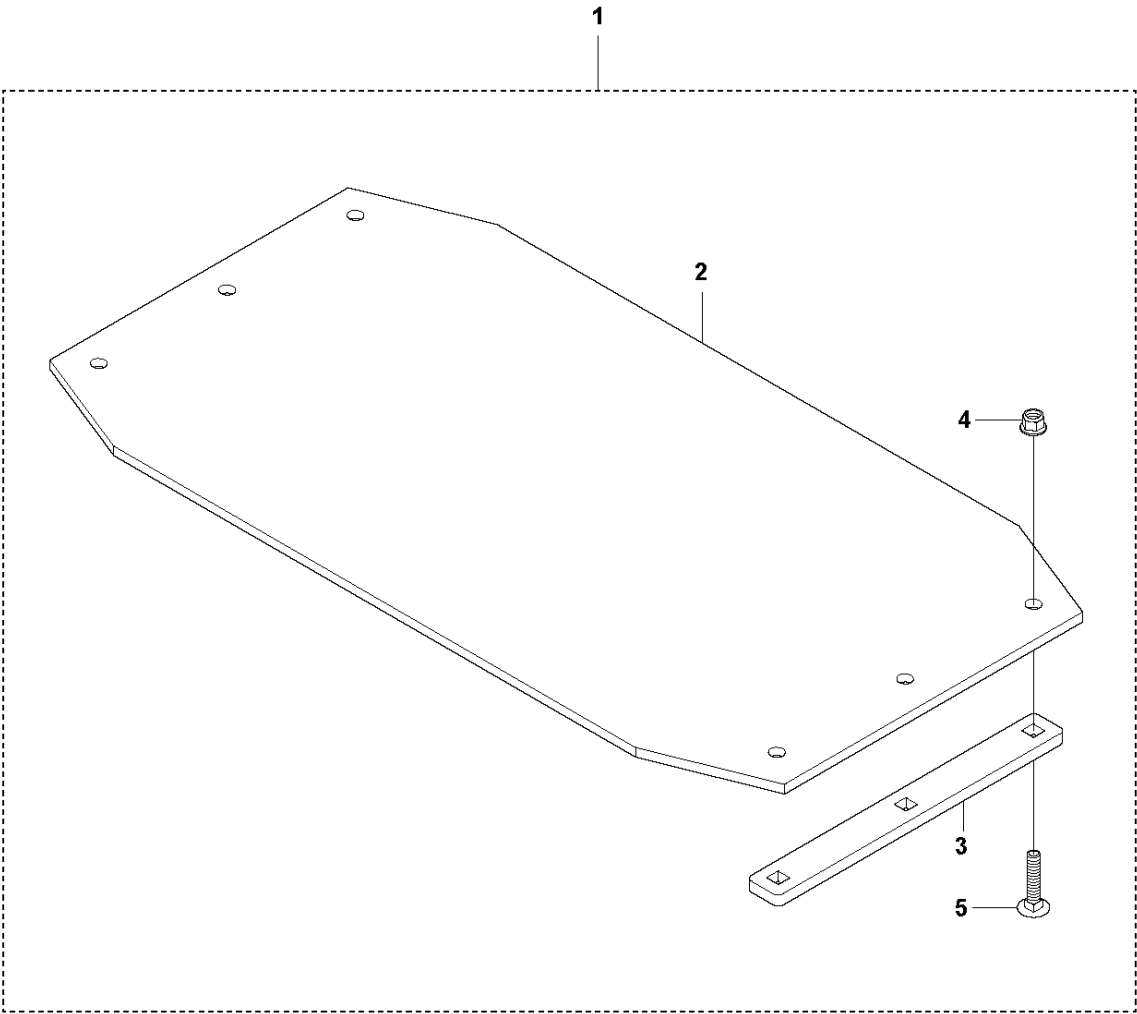


TRANSPORT DEVICE
967897605, 2019-08

LG 164, 967855601, 967855602, 967897601, 967897602, 967897604,

Ref	Part No	Description	Remark	QTY KIT	
1	594 83 05-01	TRANSPORT		1	
2	594 48 64-01	UNIT		1	1
3	595 12 44-01	STRAP		1	1
4	594 12 40-01	WASHER		1	1
5	595 34 53-01	SCREW		1	1
6	595 11 19-01	SCREW		4	1
7	594 48 66-01	BRACKET		2	1
8	594 31 62-01	WASHER		4	1
9	594 45 58-01	WHEEL		2	1
10	595 34 35-01	PIN		2	1
11	594 12 34-01	WASHER	8.4 x 16 x 1.5 mm, 0.33 x 0.63 x 0.06 in. 300 HV	4	1
12	595 03 57-01	NUT		4	1

Q LG 164
BLOCK PAVING PLATE KIT 350 MM (13.7")

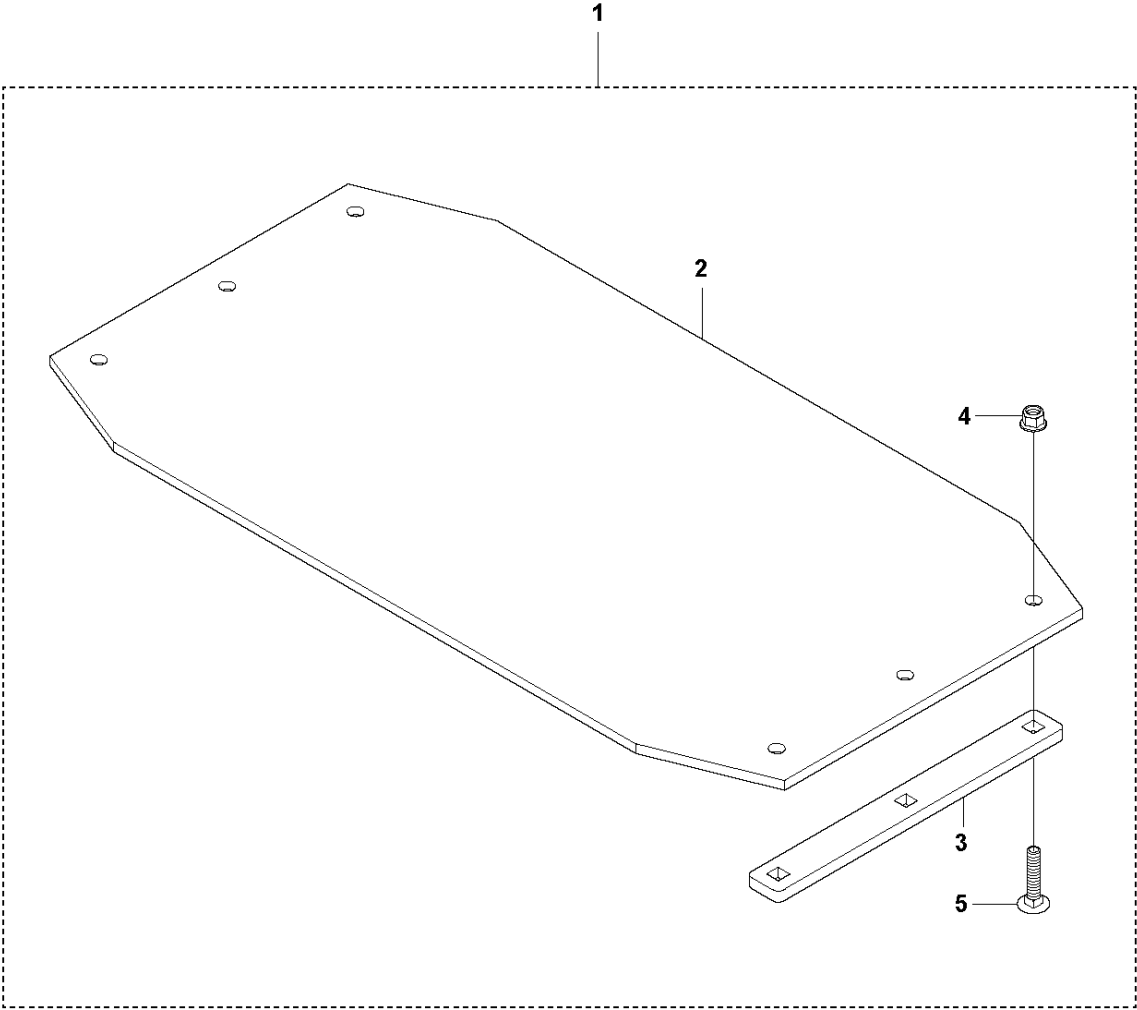


BLOCK PAVING PLATE KIT 350 MM
967897604, 967897605, 2019-08

LG 164, 967855601, 967855602, 967897601, 967897602,

Ref	Part No	Description	Remark	QTY KIT	
1	595 36 85-01	BLOCK		1	
2	594 75 78-01	GROUND PLATE	350 mm, 13.7 in.	1	1
3	594 83 04-01	BRACKET	Bracket	2	1
4	595 06 47-01	LOCK NUT	M10 x 1.5 mm A3K	4	1
5	595 06 72-01	SCREW	M10 x 45 mm 4.6 A3K din 603-8.8 ZnB	4	1

R LG 164
BLOCK PAVING PLATE KIT 450 MM (17.7")

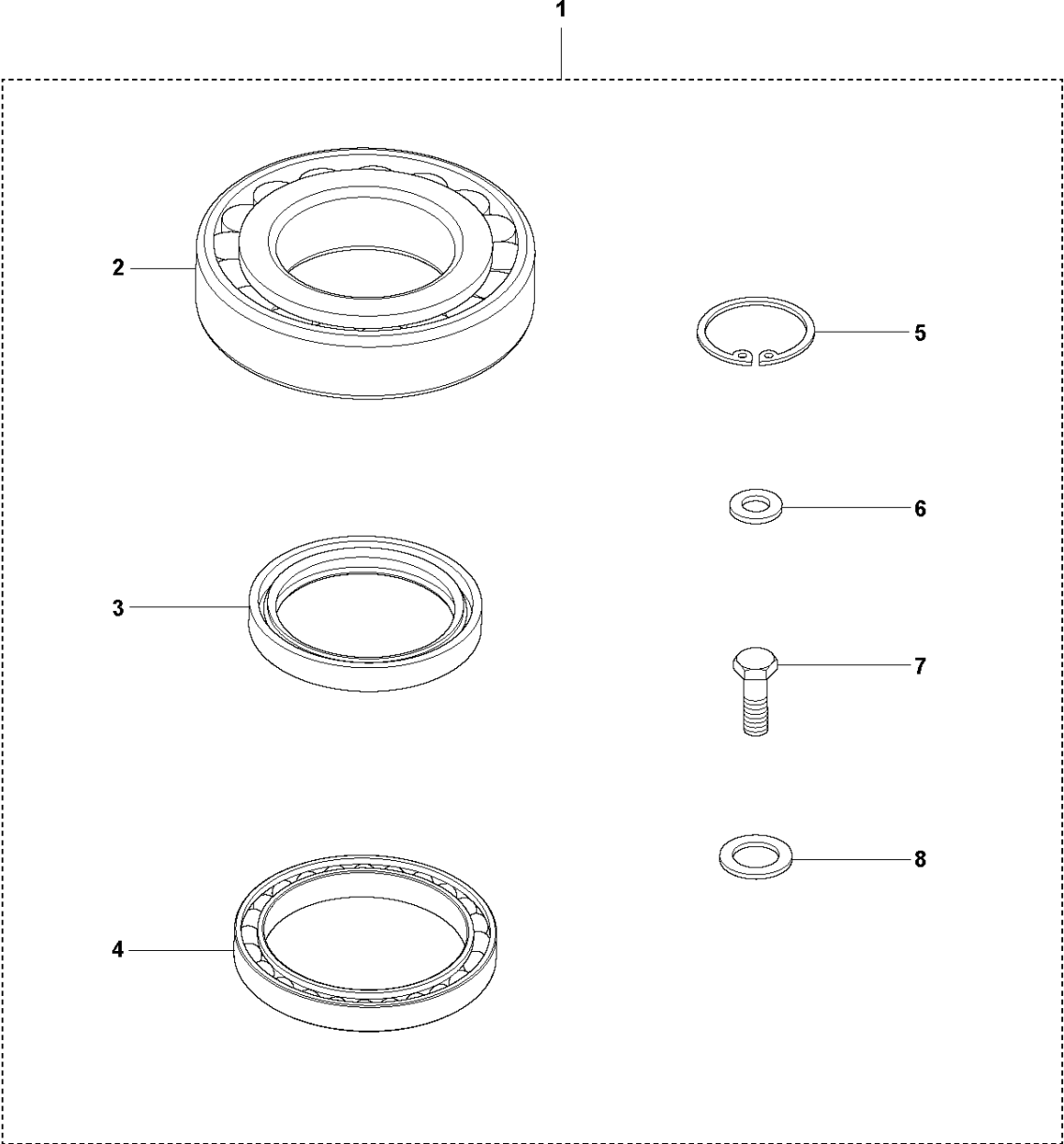


BLOCK PAVING PLATE KIT 450 MM
967897604, 967897605, 2019-08

LG 164, 967855601, 967855602, 967897601, 967897602,

Ref	Part No	Description	Remark	QTY KIT	
1	594 83 01-01	BLOCK		1	
2	594 32 90-01	PLATE	450 mm, 17.7 in.	1	1
3	594 44 73-01	BRACKET		2	1
4	595 06 47-01	LOCK NUT	M10 x 1.5 mm A3K	4	1
5	595 06 72-01	SCREW	M10 x 45 mm 4.6 A3K	4	1

S LG 164
ECCENTRIC ELEMENT REPAIR KIT

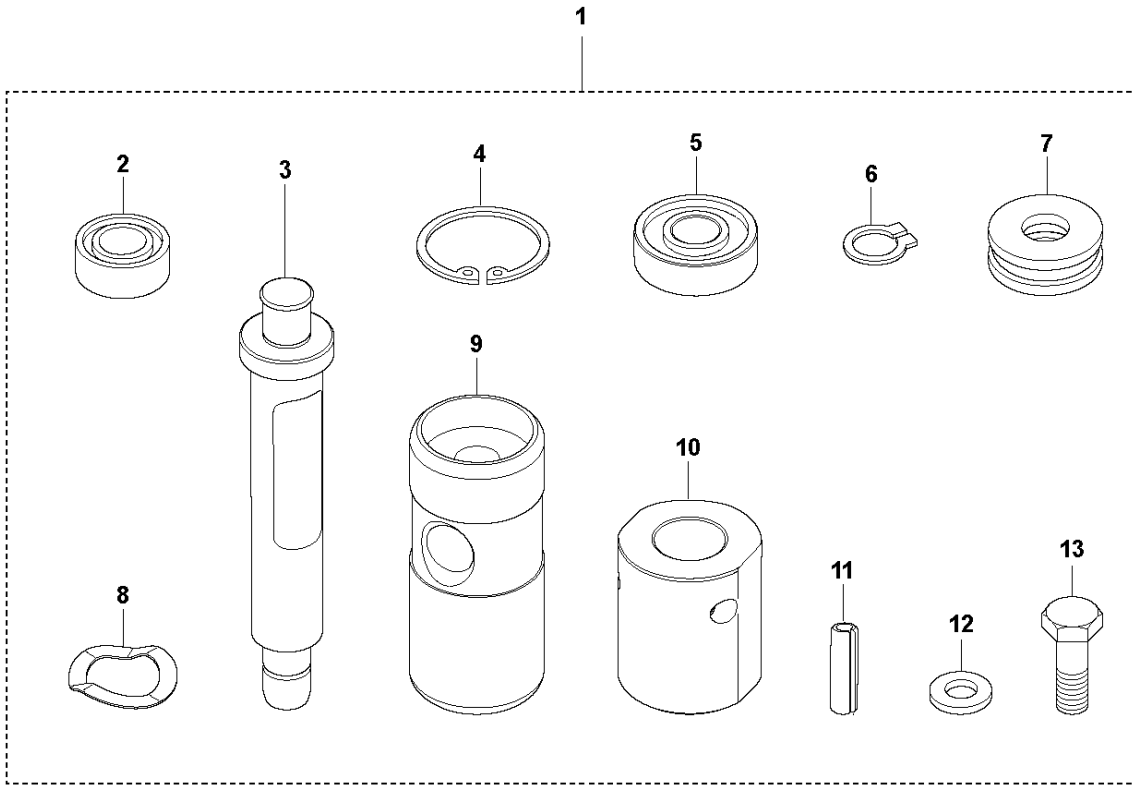


ECCENTRIC ELEMENT REPAIR KIT
 967897604, 967897605, 2019-08

LG 164, 967855601, 967855602, 967897601, 967897602,

Ref	Part No	Description	Remark	QTY KIT	
1	594 19 67-01	REPAIR KIT		1	
2	594 53 11-01	ROLLER BEARING		4	1
3	594 54 74-01	SEALING		1	1
4	594 55 05-01	BALL BEARING		2	1
5	595 04 60-01	RETAINER RING		1	1
6	595 03 65-01	WASHER	6.4x12x1.6	16	1
7	595 10 98-01	SCREW	M06x020H 8.8 A2K	16	1
8	594 51 21-01	WASHER		2	1

T LG 164
FORWARD & REVERSE PISTON REPAIR KIT

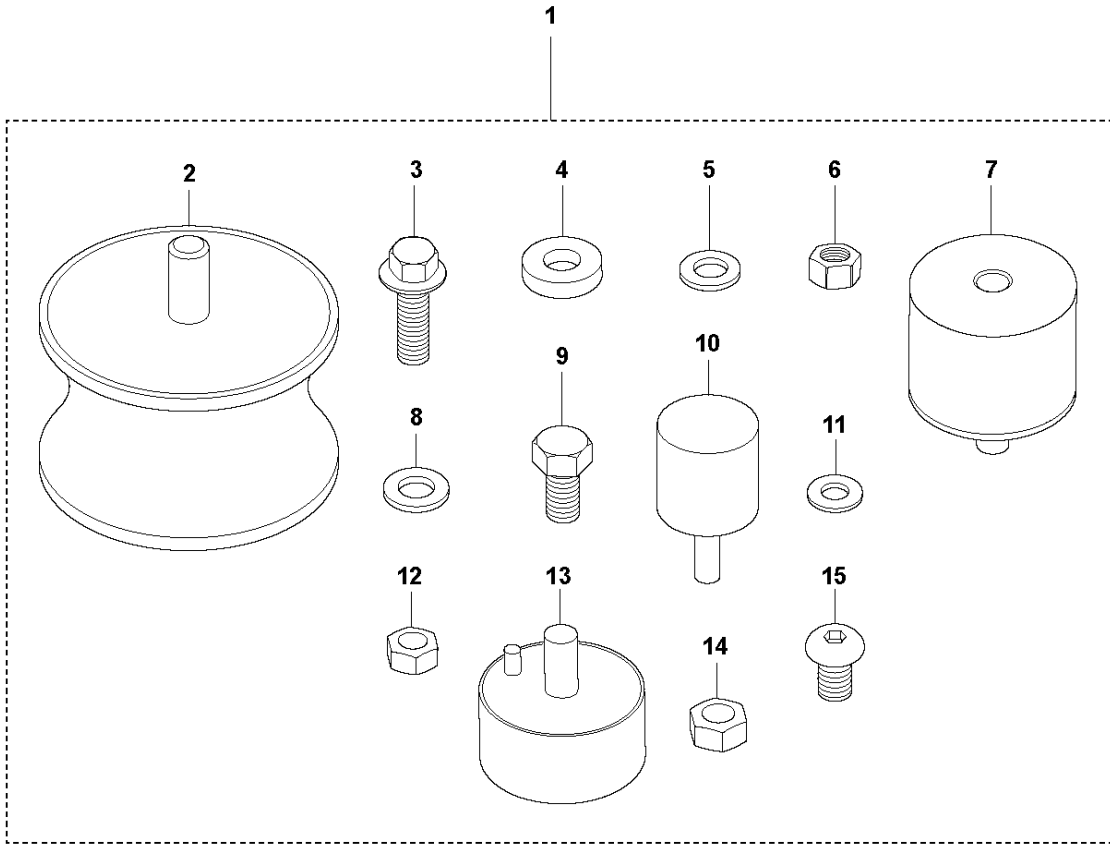


FORWARD & REVERSE PISTON REPAIR KIT
 967897602, 967897604, 967897605, 2019-08

LG 164, 967855601, 967855602, 967897601,

Ref	Part No	Description	Remark	QTY KIT	
1	594 19 65-01	REPAIR KIT		1	
2	594 33 22-01	SEALING		1	1
3	594 64 33-01	PISTON ROD		1	1
4	594 26 64-01	RING		1	1
5	594 64 75-01	BALL BEARING		1	1
6	595 35 33-01	CIRCLIP		1	1
7	594 64 76-01	BALL BEARING		1	1
8	594 64 77-01	SPRING WASHER		1	1
9	594 64 35-01	PISTON		1	1
10	594 64 50-01	CAP		1	1
11	595 03 11-01	PIN	6x20	1	1
12	595 03 65-01	WASHER	6.4x12x1.6	4	1
13	595 10 98-01	SCREW		4	1

U LG 164
SHOCK ABSORBER REPAIR KIT

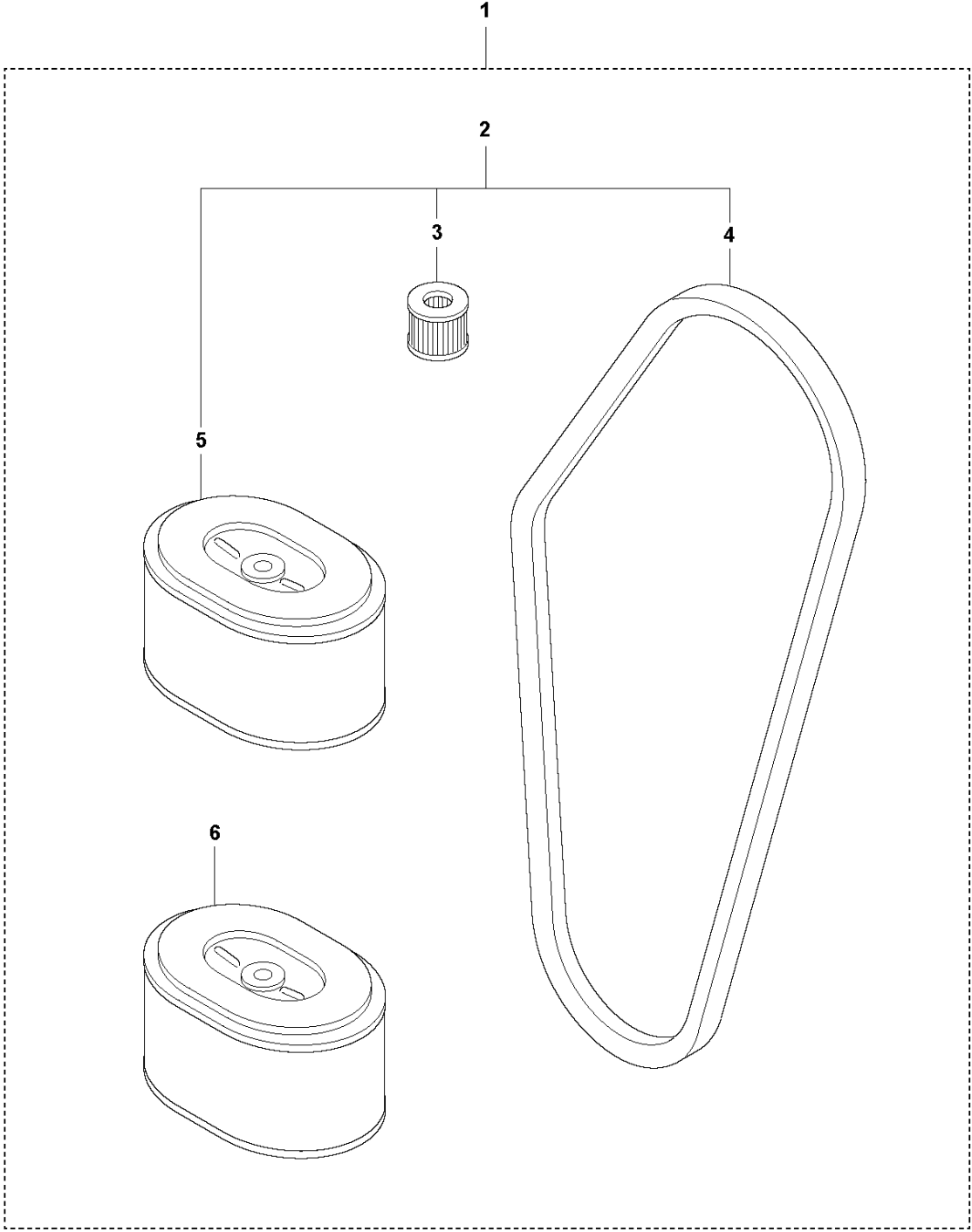


SHOCK ABSORBER REPAIR KIT
967897604, 967897605, 2019-08

LG 164, 967855601, 967855602, 967897601, 967897602,

Ref	Part No	Description	Remark	QTY KIT	
1	594 19 60-01	REPAIR KIT		1	
2	594 47 75-01	ABSORBER		4	1
3	595 99 01-01	SCREW		4	1
4	595 36 89-01	WASHER	10.5 x 22 x 4 mm, 0.41 x 0.87 x 0.16 in. 300 HV	4	1
5	595 11 34-01	WASHER	DIN125	4	1
6	595 35 18-01	NUT		4	1
7	594 52 44-01	ABSORBER		4	1
8	594 74 74-01	WASHER		7	1
9	594 11 84-01	SCREW		4	1
10	594 52 45-01	ABSORBER		2	1
11	595 03 66-01	WASHER	DIN125	2	1
12	595 03 57-01	NUT	DIN934	2	1
13	594 46 27-01	ABSORBER		1	1
14	595 02 94-01	NUT		1	1
15	594 74 70-01	SCREW		1	1

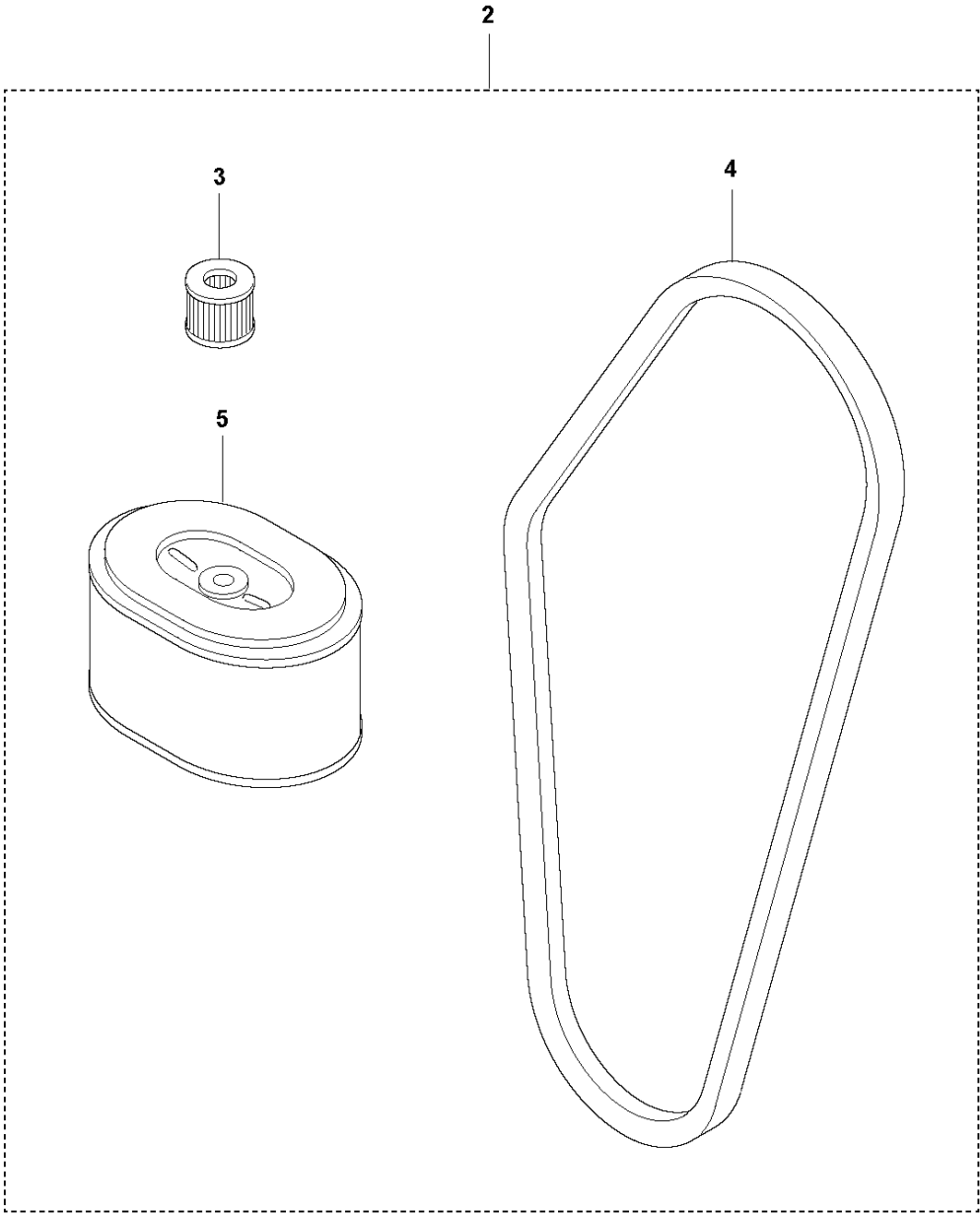
V LG164
START UP KIT - HONDA



START UP KIT - HONDA LG 164, 967855601, 967855602, 967897601, 967897602, 967897604, 967897605, 2019-08

Ref	Part No	Description	Remark	QTY	KIT
1	595 38 57-01	SERVICE KIT		1	
2	595 38 58-01	SERVICE KIT		1	1
3	594 44 55-01	AIR FILTER		1	1
4	594 18 93-01	V-BELT		1	1
5	594 30 21-01	AIR FILTER		1	1
6	594 30 21-01	AIR FILTER		1	1

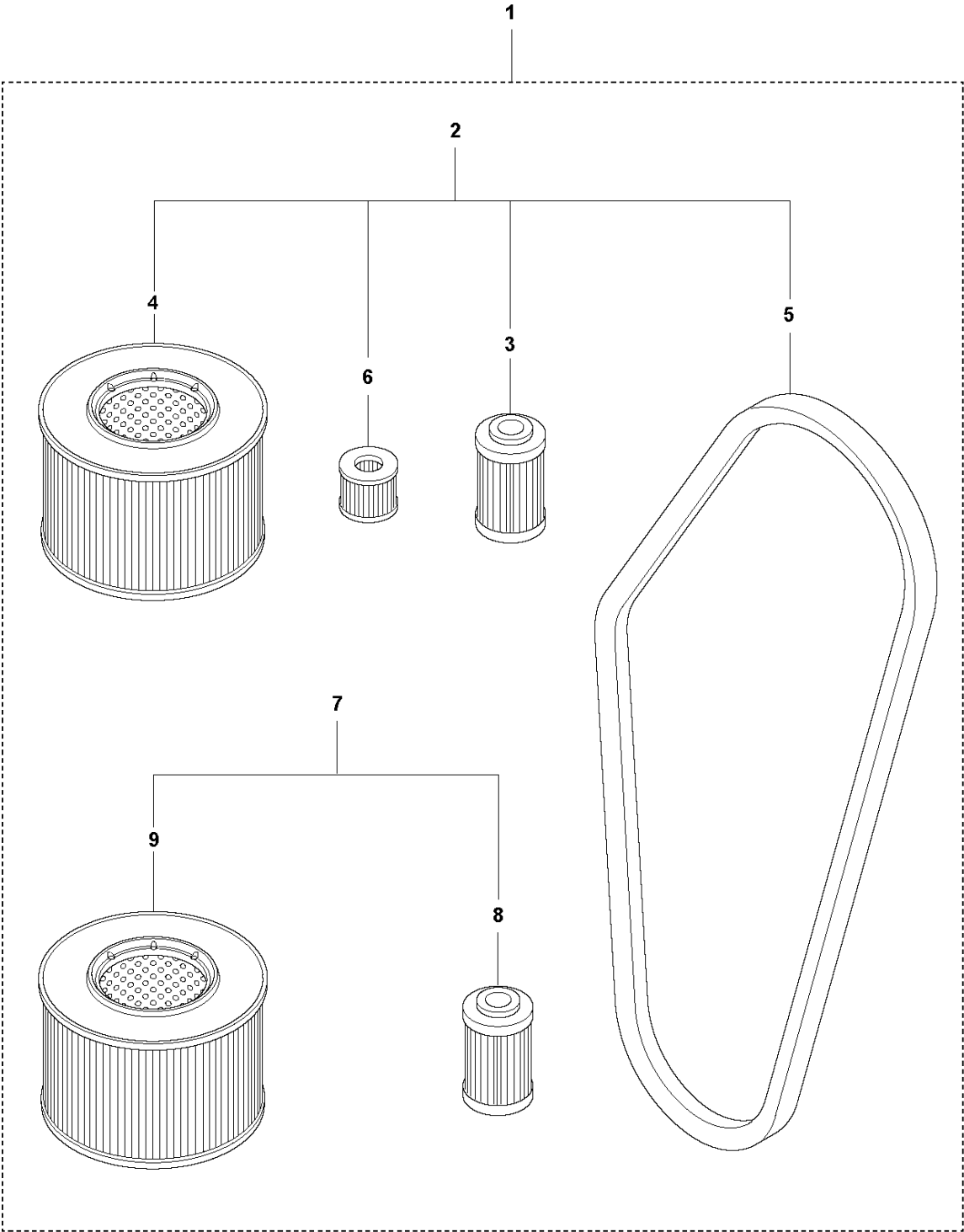
W LG164
500 HOURS SERVICE KIT / 12 MONTHS SERVICE KIT - HONDA



12 MONTHS / 500 HOURS SERVICE KIT - HONDA LG 164, 967855601, 967855602, 967897601,
967897602, 967897604, 967897605, 2019-08

Ref	Part No	Description	Remark	QTY	KIT
2	595 38 58-01	SERVICE KIT		1	
3	594 44 55-01	AIR FILTER		1	2
4	594 18 93-01	V-BELT		1	2
5	594 30 21-01	AIR FILTER		1	2

X LG 164
START UP KIT - HATZ

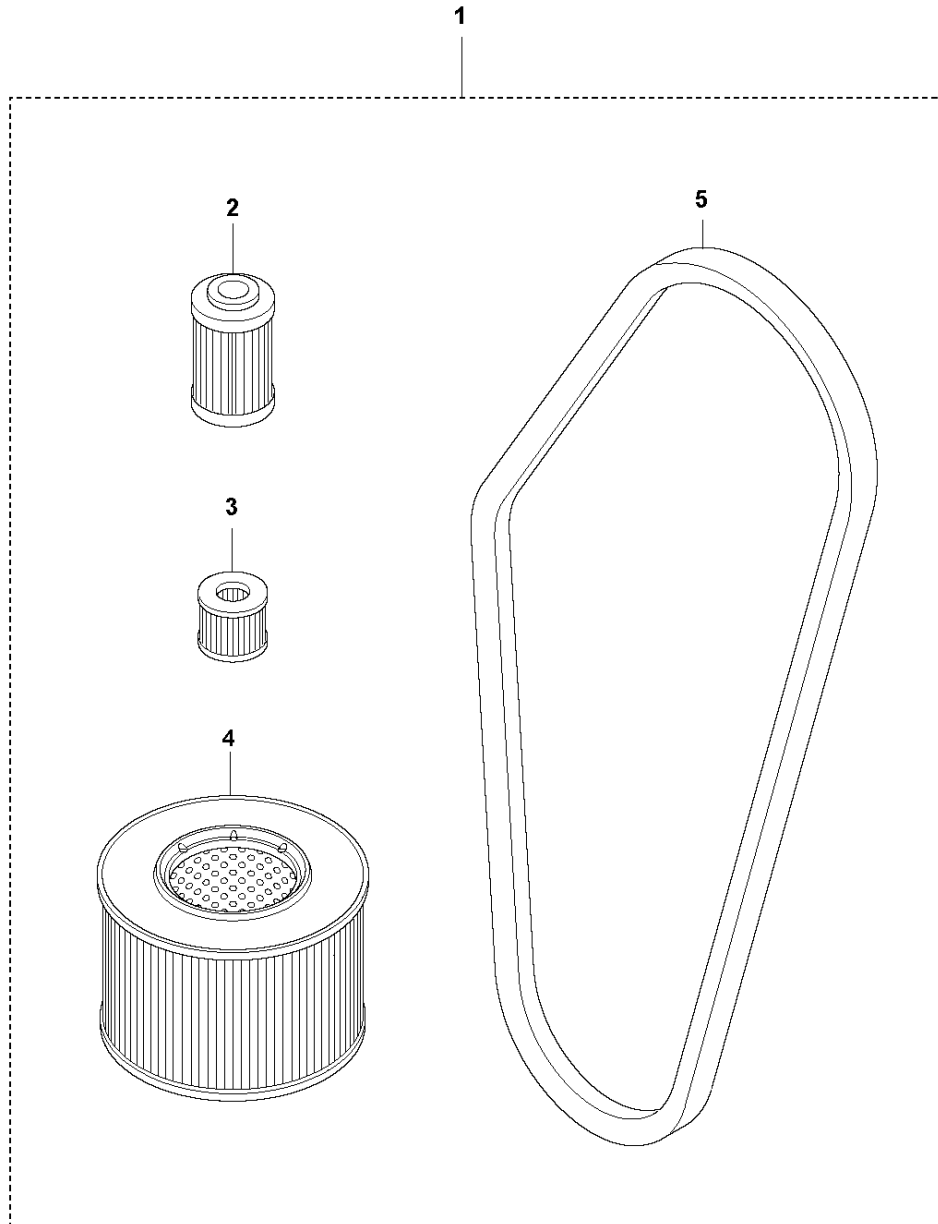


START UP KIT - HATZ
967897605, 2019-08

LG 164, 967855601, 967855602, 967897601, 967897602, 967897604,

Ref	Part No	Description	Remark	QTY	KIT
1	594 21 86-01	SERVICE KIT		1	
2	594 21 87-01	SERVICE KIT		1	1
3	594 59 51-01	FUEL FILTER		1	2
4	594 57 11-01	FILTER		1	2
5	594 33 27-01	BELT		1	2
6	594 44 55-01	AIR FILTER		1	2
7	594 21 46-01	SERVICE KIT		1	
8	594 59 51-01	FUEL FILTER		1	7
9	594 57 11-01	FILTER		1	7

Y LG 164
12 MONTHS 500 HOURS SERVICE KIT - HATZ

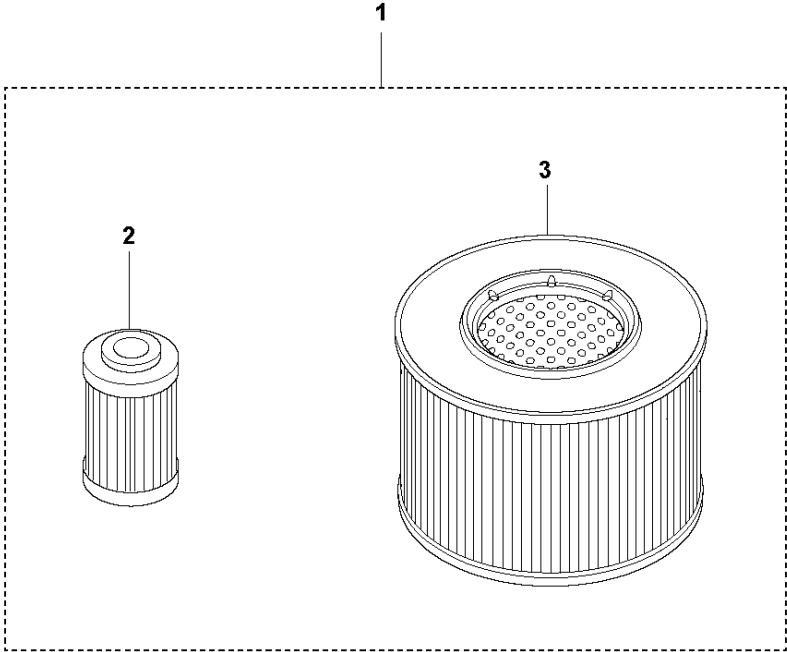


12 MONTHS / 500 HOURS SERVICE KIT - HATZ
967897602, 967897604, 967897605, 2019-08

LG 164, 967855601, 967855602, 967897601,

Ref	Part No	Description	Remark	QTY KIT	
1	594 21 87-01	SERVICE KIT		1	
2	594 59 51-01	FUEL FILTER		1	1
3	594 57 11-01	FILTER		1	1
4	594 33 27-01	BELT		1	1
5	594 44 55-01	AIR FILTER		1	1

Z LG 164
6 MONTHS / EVERY 250 HOURS KIT - HATZ

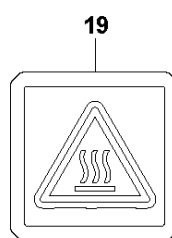
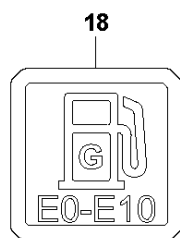
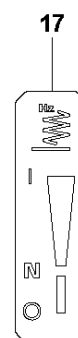
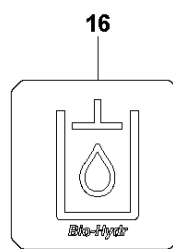
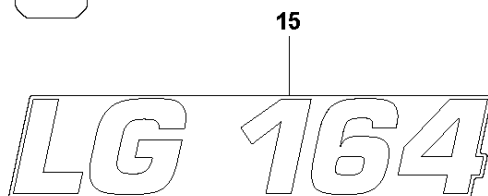
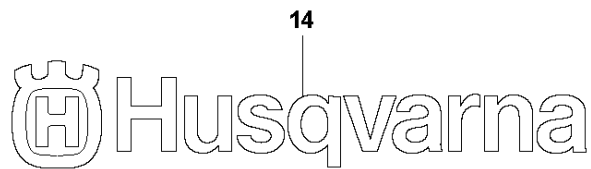
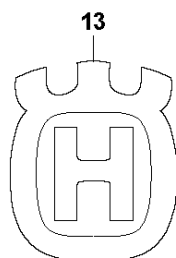
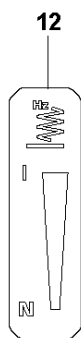
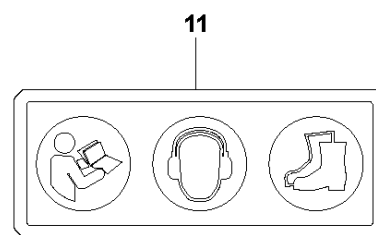
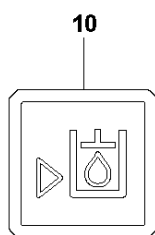
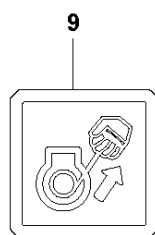
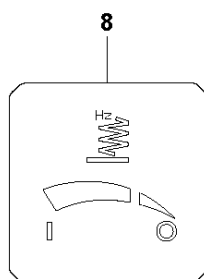
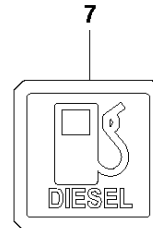
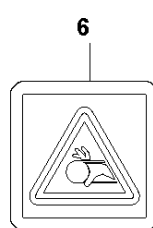
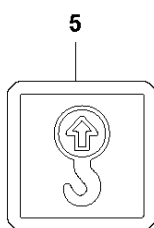
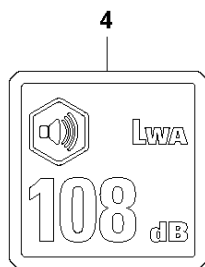
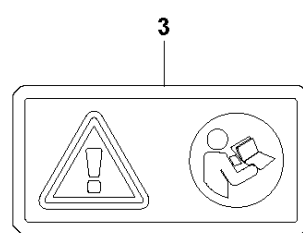
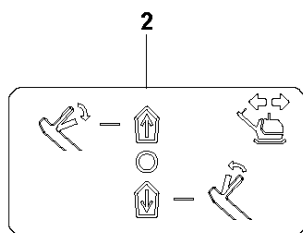
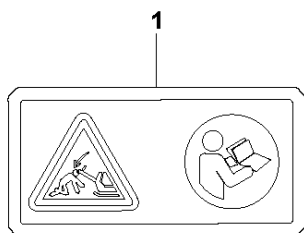


6 MONTHS / 250 HOURS SERVICE KIT - HATZ
967897602, 967897604, 967897605, 2019-08

LG 164, 967855601, 967855602, 967897601,

Ref	Part No	Description	Remark	QTY KIT	
1	594 21 46-01	SERVICE KIT		1	
2	594 59 51-01	FUEL FILTER		1	1
3	594 57 11-01	FILTER		1	1

AA LG 164
DECALS



DECALS LG 164, 967855601, 967855602, 967897601, 967897602, 967897604, 967897605, 2019-08

Ref	Part No	Description	Remark	QTY KIT
1	594 66 06-01	LABEL	Safety, Lock Handle	1
2	594 66 07-01	LABEL	Operator Panel	1
3	594 86 97-01	LABEL	Safety, Read instruction	1
4	595 21 63-01	DECAL	108 dB	1
5	594 66 09-01	LABEL	Lifting Point	1
6	594 46 40-01	DECAL	Throttle Indication 20x60 mm	1
7	594 66 16-01	LABEL	Fuel (Hatz version)	1
8	594 66 05-01	LABEL	Throttle Control Non EPA	1
9	594 86 96-01	LABEL	Manual start	1
10	595 51 28-01	LABEL	Hydraulic Oil Level	1
11	594 65 96-01	LABEL	Protection	1
12	595 21 65-01	LABEL	Gas throttle Honda	1
13	578 26 57-01	DECAL	HVA crown	1
14	577 46 90-01	DECAL	HVA logo	1
15	595 09 52-01	DECAL	brand decal	2
16	595 46 94-01	DECAL		1
17	595 21 66-01	LABEL	Gas throttle Hatz	1
18	594 66 02-01	LABEL	Fuel (Honda version)	1
19	594 65 98-01	LABEL	Safety, Hot surfaces	1
20	596 28 02-01	DECAL	Compliance	1