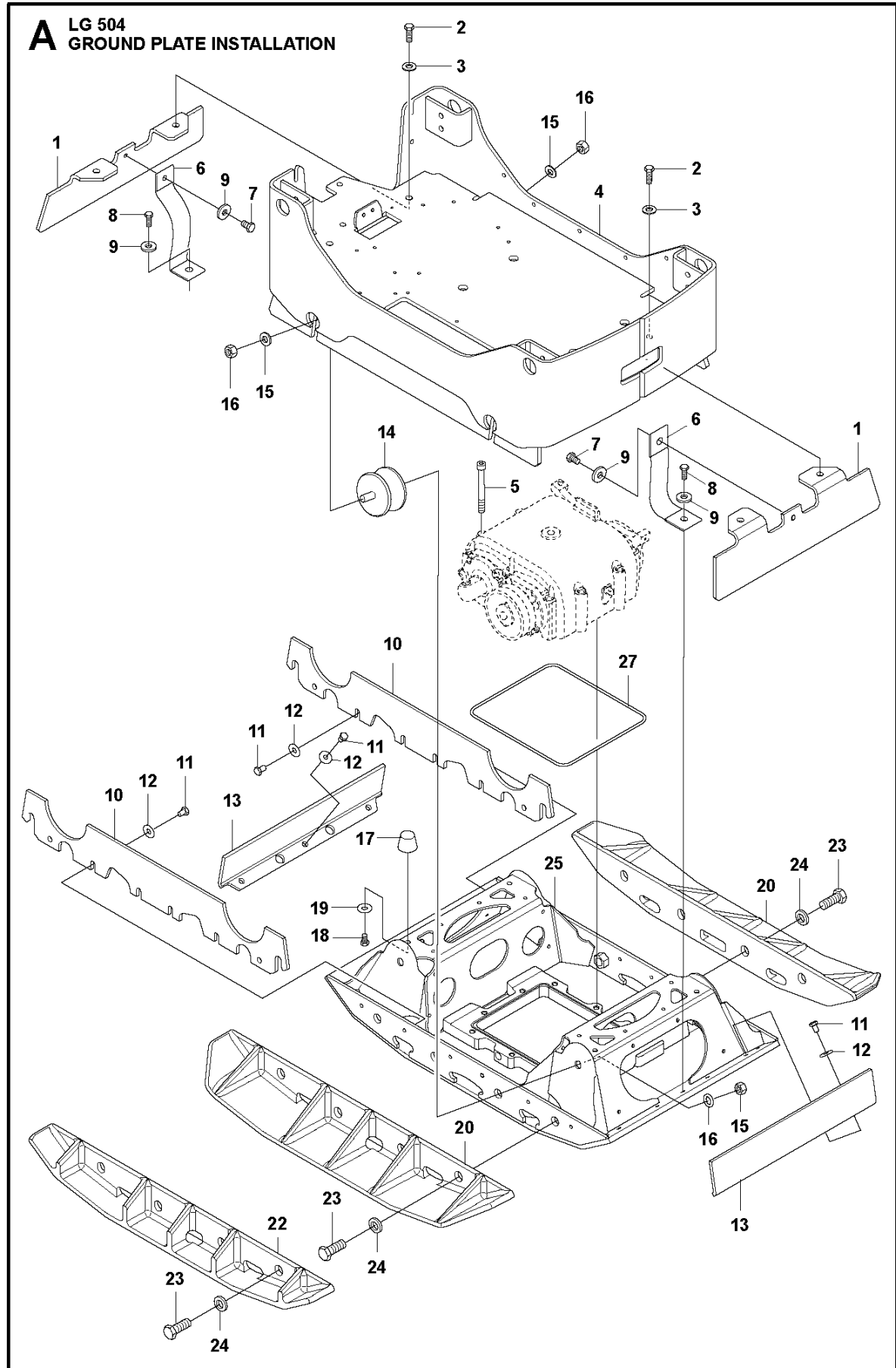




SPARE PARTS LIST

LIGHT COMPACTION

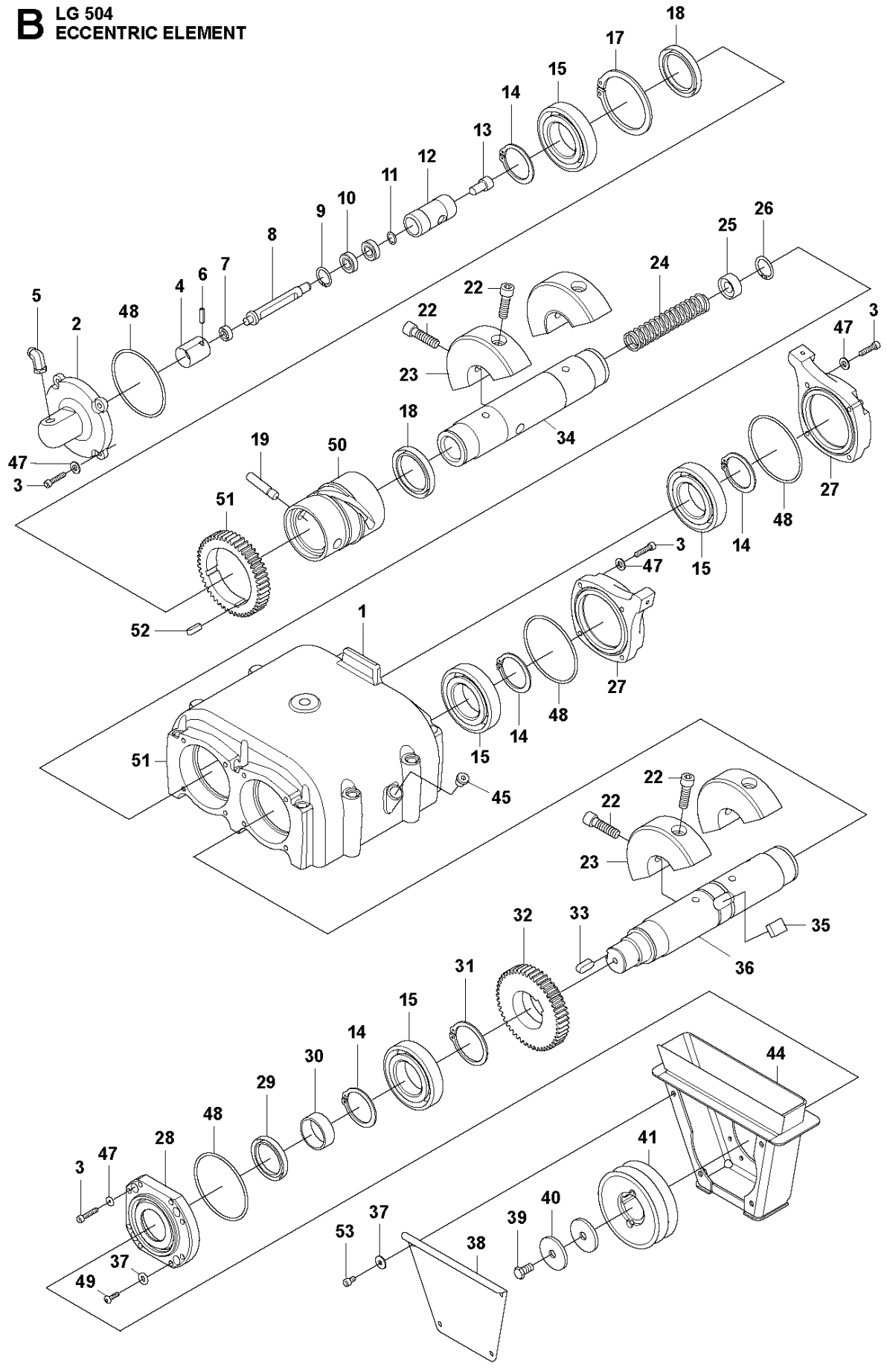
LG 504, 967855501, 967855502,
967855503, 967855504, 967855505,
967855506, 967855507, 967855508,
967855509, 967855510, 967855511,
967855512, 2019-08



GROUND PLATE INSTALLATION LG 504, 967855501, 967855502, 967855503, 967855504, 967855505, 967855506, 967855507, 967855508, 967855509, 967855510, 967855511, 967855512,

| Ref | Part No | Description | Remark | QTY KIT |
|-----|--------------|--------------|---------------------------|---------|
| 1 | 594 75 68-01 | COVER | | 2 |
| 2 | 595 11 03-01 | SCREW | M12 x 035H, 8.8, A3K | 4 |
| 3 | 595 06 65-01 | WASHER | | 4 |
| 4 | 594 75 67-01 | ENGINE PLATE | | 1 |
| 5 | 594 12 10-01 | SOCKET | M12 x 120 12.9 DIN 912 | 10 |
| 6 | 594 14 15-01 | STRAP | | 2 |
| 7 | 595 34 52-01 | BOLT | M6 x 20 mm 8.8 A2K | 2 |
| 8 | 595 34 52-01 | BOLT | M12 x 020H, 8.8 A3K | 2 |
| 9 | 594 12 40-01 | WASHER | "0.51x1.42x0.24"" 300HV" | 4 |
| 10 | 594 18 21-01 | COVER | | 2 |
| 11 | 595 34 46-01 | SCREW | M10x16 | 18 |
| 12 | 594 12 35-01 | PLANE WASHER | 10,5x30,0x2,5 DIN 9021 | 18 |
| 13 | 595 12 72-01 | COVER | | 2 |
| 14 | 594 18 70-01 | ABSORBER | | 4 |
| 15 | 595 03 58-01 | NUT | M1 6x 2,00 -8, A3K | 8 |
| 16 | 595 03 67-01 | WASHER | M16 17,0x30x3,0 300 HV | 8 |
| 17 | 594 18 51-01 | STOP | | 4 |
| 18 | 595 34 46-01 | SCREW | M10 x 16 | 4 |
| 19 | 594 74 74-01 | WASHER | M10 10,5x22x2,0 300 HV | 4 |
| 20 | 594 18 87-01 | PLATE | 150 mm | 2 |
| 22 | 595 12 87-01 | PLATE | 75 mm | 2 |
| 23 | 594 11 94-01 | SCREW | DIN933 M20x050H, 8.8, A9K | 8 |
| 24 | 594 12 43-01 | WASHER | 21x36x6 conical | 8 |
| 25 | 594 18 20-01 | GROUND PLATE | | 1 |
| 27 | 594 75 99-01 | O-RING | Ø325x3 | 1 |

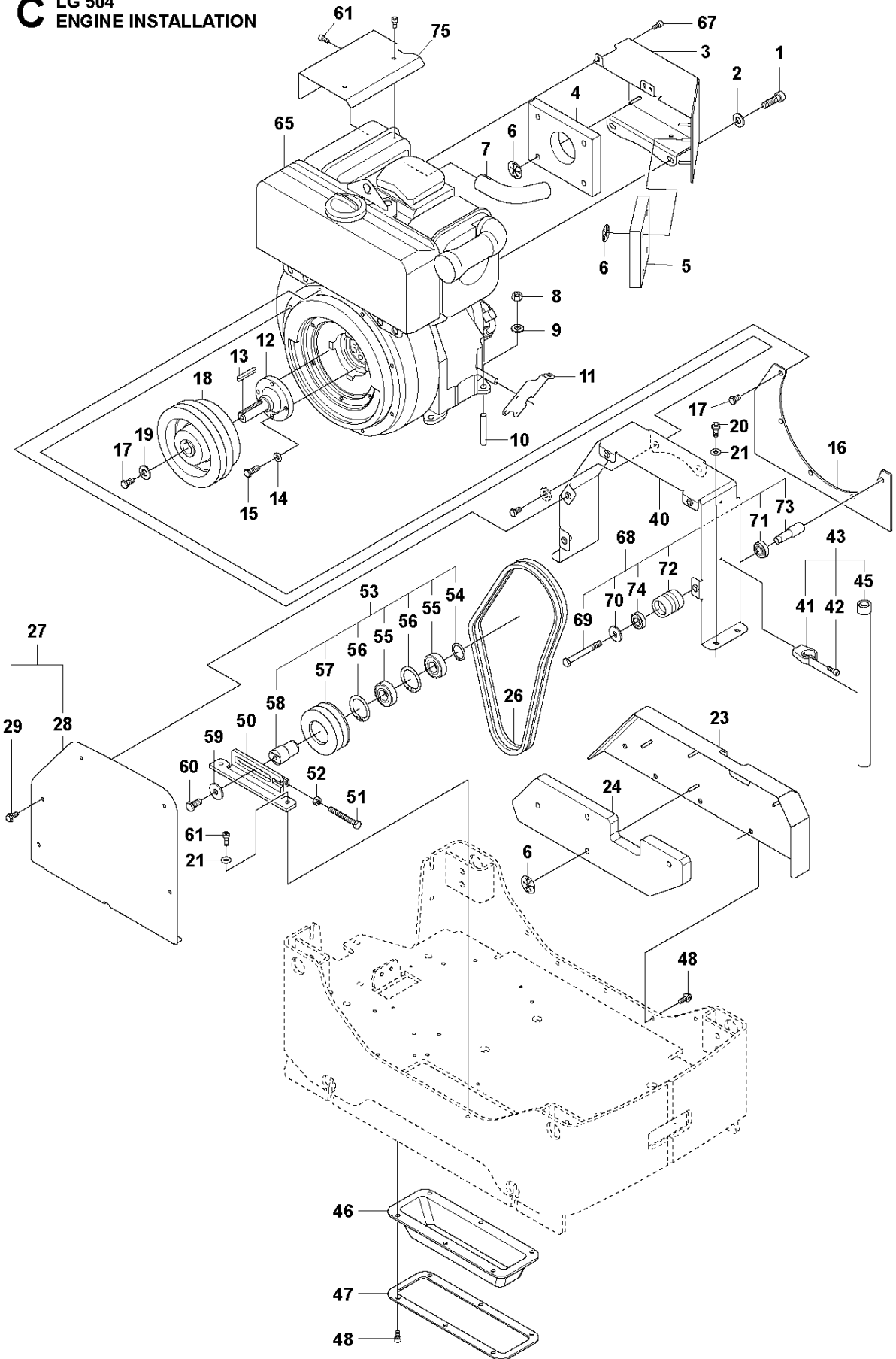
B LG 504
ECCENTRIC ELEMENT



ECCENTRIC ELEMENT LG 504, 967855501, 967855502, 967855503, 967855504, 967855505, 967855506, 967855507, 967855508, 967855509, 967855510, 967855511, 967855512, 2019-08

| Ref | Part No | Description | Remark | QTY KIT |
|-----|--------------|--------------------|---------------------------------|---------|
| 1 | 594 17 95-01 | HOUSING | | 1 |
| 2 | 594 17 52-01 | HYDRAULIC CYLINDER | | 1 |
| 3 | 595 28 74-01 | SCREW | | 16 |
| 4 | 594 64 30-01 | CAP | | 1 |
| 5 | 594 12 75-01 | NIPPLE | | 1 |
| 6 | 595 03 11-01 | PIN | Ø6 x 20 mm DIN 1481 | 1 |
| 7 | 594 18 43-01 | SEALING | | 1 |
| 8 | 594 18 23-01 | PISTON ROD | | 1 |
| 9 | 595 11 39-01 | CIRCLIP | | 1 |
| 10 | 594 18 36-01 | BALL BEARING | | 2 |
| 11 | 595 04 63-01 | RING | For hole position 28 (in image) | 1 |
| 12 | 594 18 24-01 | PISTON | | 1 |
| 13 | 594 44 39-01 | STOP SCREW | | 1 |
| 14 | 595 03 72-01 | CIRCLIP | | 4 |
| 15 | 594 18 34-01 | BEARING | | 4 |
| 17 | 594 12 49-01 | CIRCLIP | | 1 |
| 18 | 594 54 76-01 | BALL BEARING | | 2 |
| 19 | 594 18 67-01 | PIN | | 1 |
| 22 | 595 03 47-01 | SCREW | M12 x 045H 8.8 A3K | 8 |
| 23 | 594 17 97-01 | EXCENTER | | 4 |
| 24 | 594 18 35-01 | SPRING | | 1 |
| 25 | 594 32 28-01 | STOP | | 1 |
| 26 | 595 03 74-01 | CIRCLIP | | 1 |
| 27 | 594 18 68-01 | COVER | | 2 |
| 28 | 594 19 17-01 | BEARING COVER | | 1 |
| 29 | 594 18 42-01 | RADIAL SEAL | | 1 |
| 30 | 594 54 75-01 | RING | | 1 |
| 31 | 594 12 48-01 | CIRCLIP | | 2 |
| 32 | 594 17 49-01 | GEAR | | 1 |
| 33 | 595 05 08-01 | KEY | | 1 |
| 34 | 594 17 98-01 | SHAFT | | 1 |
| 35 | 594 18 75-01 | KEY | | 1 |
| 36 | 594 17 53-01 | SHAFT | | 1 |
| 37 | 595 03 64-01 | WASHER | DIN 9021 | 12 |
| 38 | 594 19 18-01 | COVER | | 1 |
| 39 | 594 11 84-01 | SCREW | M10x20 mm 8.8 A3K | 1 |
| 40 | 594 32 16-01 | WASHER | | 2 |
| 41 | 595 37 49-01 | PULLEY | | 1 |
| 44 | 594 19 19-01 | BELT COVER | | 1 |
| 45 | 595 35 53-01 | PLUG | | 1 |
| 47 | 594 12 46-01 | WASHER | | 16 |
| 48 | 595 03 97-01 | O-RING | | 4 |
| 49 | 595 34 94-01 | SCREW | | 8 |
| 50 | 594 17 99-01 | GEAR | | 1 |
| 51 | 594 17 50-01 | GEAR | | 1 |
| 52 | 594 54 70-01 | KEY | | 1 |
| 53 | 595 34 79-01 | SOCKET | M6x12 | 4 |

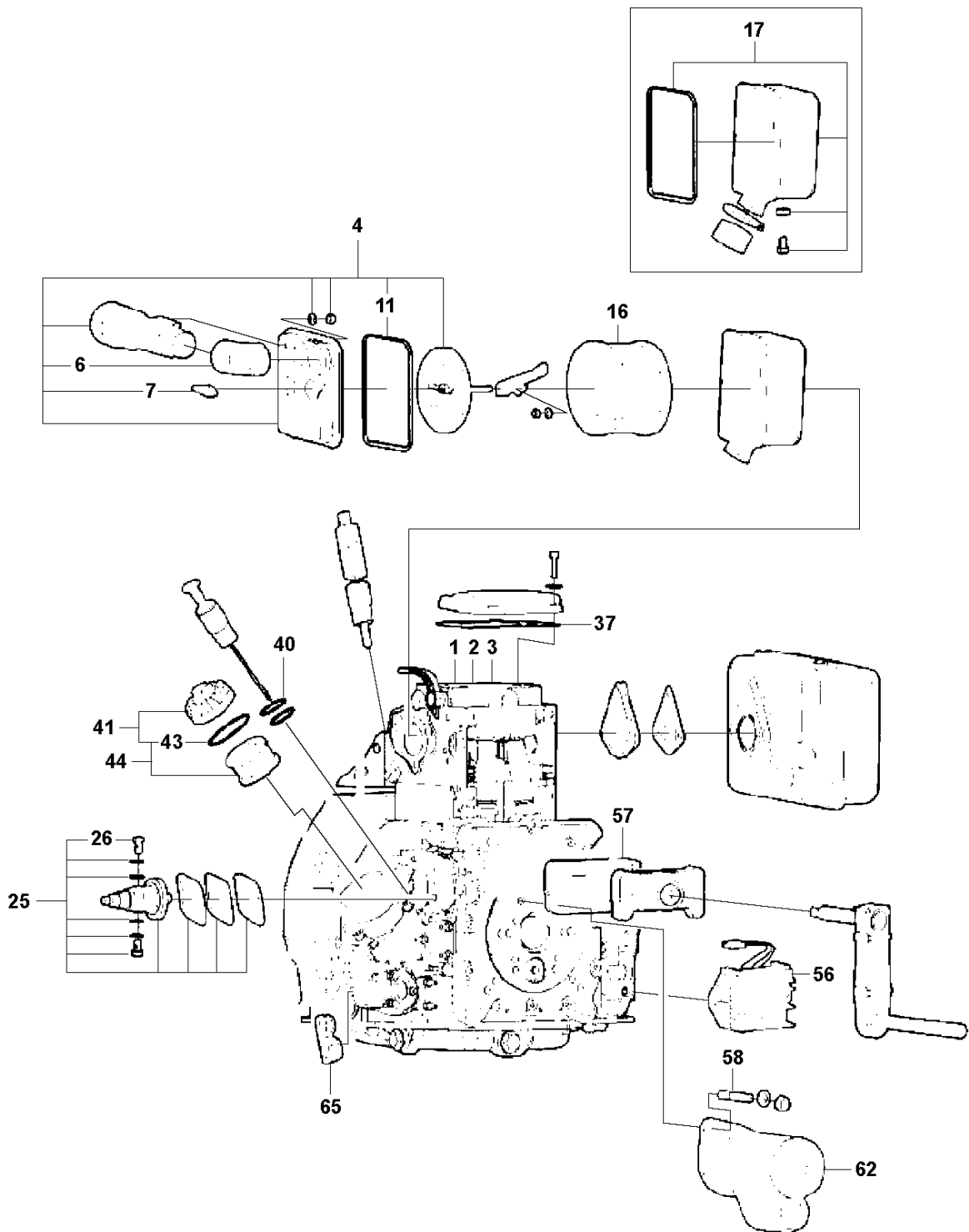
C LG 504
ENGINE INSTALLATION



ENGINE INSTALLATION LG 504, 967855501, 967855502, 967855503, 967855504, 967855505, 967855506, 967855507, 967855508, 967855509, 967855510, 967855511, 967855512, 2019-08

| Ref | Part No | Description | Remark | QTY | KIT |
|-----|--------------|--------------|--------------------------------|-----|-----|
| 1 | 594 12 09-01 | BOLT | | 2 | |
| 2 | 595 06 65-01 | WASHER | | 2 | |
| 3 | 594 75 71-01 | PROTECTION | | 1 | |
| 4 | 594 75 70-01 | INSULATION | | 1 | |
| 5 | 594 75 69-01 | INSULATION | | 1 | |
| 6 | 595 05 17-01 | WASHER | | 12 | |
| 7 | 595 36 74-01 | EXHAUST PIPE | | 1 | |
| 8 | 594 54 86-01 | NUT | | 4 | |
| 9 | 595 06 79-01 | WASHER | | 4 | |
| 10 | 594 48 61-01 | SCREW | | 4 | |
| 11 | 595 05 00-01 | BRACKET | | 1 | |
| 12 | 594 33 05-01 | SHAFT | | 1 | |
| 13 | 594 36 82-01 | KEY | | 1 | |
| 14 | 595 06 73-01 | WASHER | | 4 | |
| 15 | 595 34 43-01 | SCREW | | 4 | |
| 16 | 594 82 75-01 | COVER | | 1 | |
| 17 | 594 11 84-01 | SCREW | | 6 | |
| 18 | 594 64 68-01 | CLUTCH | | 1 | |
| 19 | 595 06 65-01 | WASHER | | 1 | |
| 20 | 595 34 83-01 | SOCKET | | 6 | |
| 21 | 595 03 66-01 | WASHER | | 8 | |
| 23 | 594 75 97-01 | INSULATION | | 1 | |
| 24 | 594 75 77-01 | INSULATION | | 1 | |
| 26 | 594 18 91-01 | V-BELT | XPA 1208(6T43) | 2 | |
| 27 | 595 27 65-01 | COVER | | 1 | |
| 28 | 595 08 90-01 | BELT COVER | | 1 | 27 |
| 29 | 594 11 99-01 | SCREW | | 5 | 27 |
| 40 | 594 18 08-01 | V-BELT | | 1 | |
| 41 | 594 32 95-01 | CLIP | | 2 | 43 |
| 42 | 594 32 94-01 | SCREW | | 2 | 43 |
| 43 | 594 33 69-01 | HOSE | | 1 | |
| 45 | 595 04 96-01 | HOSE | | 1 | 43 |
| 46 | 594 16 45-01 | PROTECTION | | 1 | |
| 47 | 594 75 30-01 | FLANGE | | 1 | |
| 48 | 595 03 44-01 | SCREW | | 11 | |
| 50 | 594 18 28-01 | BRACKET | | 1 | |
| 51 | 594 11 95-01 | SCREW | H M10 x 90 CL8.8 DIN933 ZnB | 1 | |
| 52 | 595 02 94-01 | NUT | M10 DIN 934-8 Zn | 1 | |
| 53 | 594 43 14-01 | BELT | | 1 | |
| 54 | 595 04 55-01 | SNAP RING | | 1 | 53 |
| 55 | 594 25 91-01 | BALL BEARING | | 2 | 53 |
| 56 | 595 04 61-01 | SNAP RING | | 2 | 53 |
| 57 | 594 44 01-01 | BELT | | 1 | 53 |
| 58 | 594 43 15-01 | SHAFT | | 1 | 53 |
| 59 | 594 12 40-01 | WASHER | | 1 | |
| 60 | 595 34 53-01 | SCREW | | 1 | |
| 61 | 595 03 45-01 | SCREW | M8 x 25 | 2 | |
| 65 | 596 24 12-06 | ENGINE | | 1 | |
| 67 | 595 34 79-01 | SOCKET | M6 x 12 | 1 | |
| 68 | 594 19 24-01 | BELT GUIDE | | 1 | |
| 69 | 595 34 50-01 | SCREW | M10 x 100, 8.8, A3K | 1 | 68 |
| 70 | 594 74 74-01 | WASHER | | 1 | 68 |
| 71 | 594 19 27-01 | BALL BEARING | | 1 | 68 |
| 72 | 594 19 23-01 | BELT | | 1 | 68 |
| 73 | 594 19 26-01 | SHAFT | | 1 | 68 |
| 74 | 594 12 65-01 | BALL BEARING | | 1 | 68 |
| 75 | 595 37 08-01 | PROTECTION | Heat protection | 1 | |

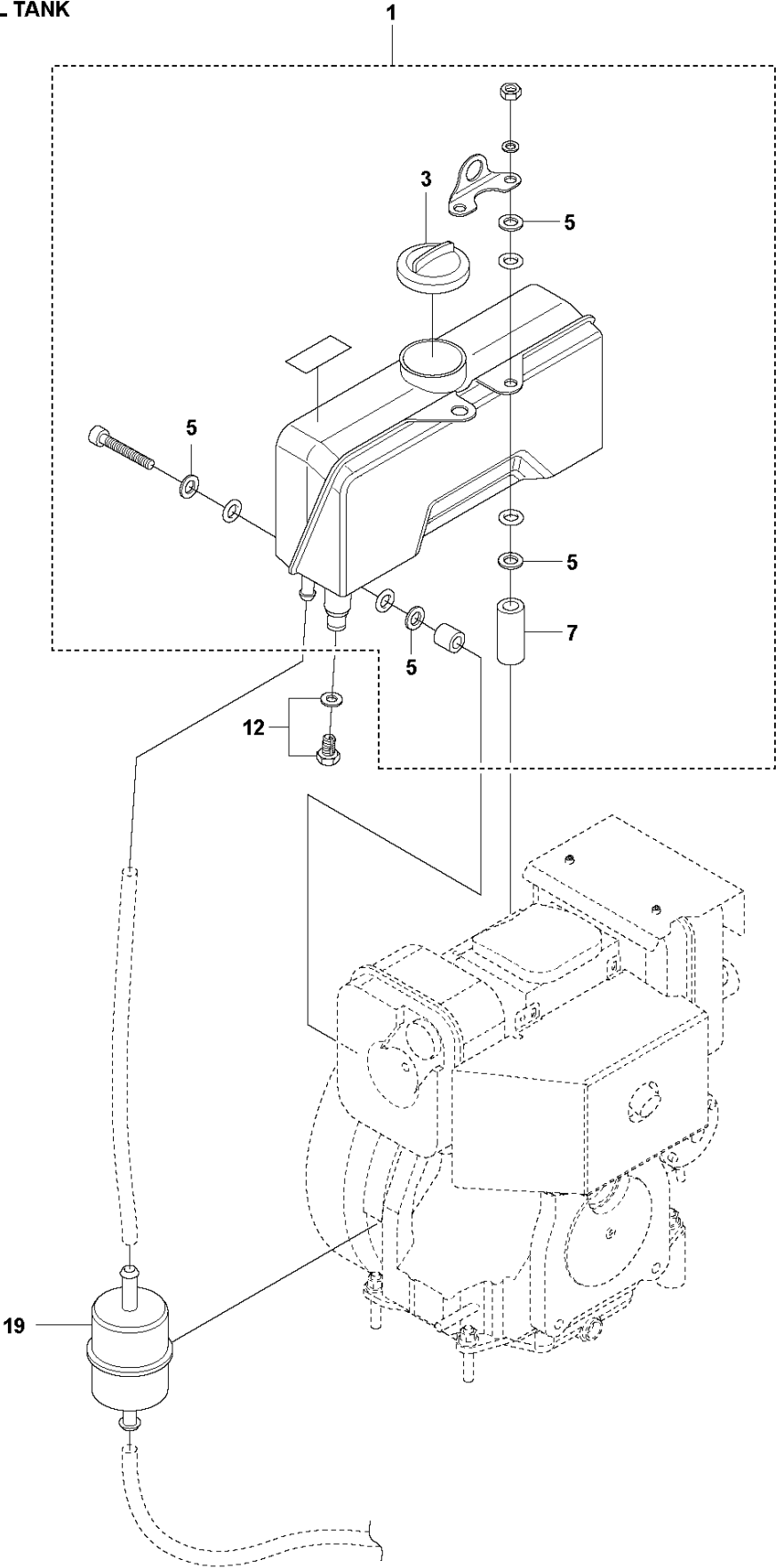
D LG 504
ENGINE - HATZ 1D81Z



ENGINE LG 504, 967855501, 967855502, 967855503, 967855504, 967855505, 967855506, 967855507, 967855508, 967855509, 967855510, 967855511, 967855512, 2019-08

| Ref | Part No | Description | Remark | QTY | KIT |
|-----|--------------|------------------|------------------------------|-----|--------|
| 1 | 596 24 12-06 | ENGINE | Hatz 1D81Z-342A El. start EU | 1 | |
| 2 | 595 37 32-01 | ENGINE | Hatz 1D81Z El. EPA | 1 | |
| 3 | 596 24 12-07 | ENGINE | ENGINE Hatz, 1D81Z Man | 1 | |
| 4 | 594 20 76-01 | AIR FILTER COVER | | 1 | |
| 6 | 594 31 34-01 | ELBOW | | 1 | 4 |
| 7 | 594 57 15-01 | NUT | | 1 | 4 |
| 11 | 594 30 83-01 | GASKET | | 1 | 4 |
| 16 | 594 30 54-01 | AIR FILTER | | 1 | |
| 17 | 594 30 75-01 | HOUSING | | 1 | |
| 25 | 594 60 90-01 | FUEL PUMP | | 1 | |
| 26 | 594 20 73-01 | BOLT | | 2 | 25 |
| 37 | 594 30 28-01 | GASKET | | 1 | |
| 40 | 595 13 18-01 | O-RING | | 2 | |
| 41 | 594 55 73-01 | COVER | | 1 | |
| 43 | 594 30 29-01 | GASKET | | 1 | 41, 44 |
| 44 | 595 37 25-01 | OIL FILTER | | 1 | |
| 56 | 594 60 64-01 | RELAY | | 1 | |
| 57 | 594 56 01-01 | GASKET | | 1 | |
| 58 | 595 12 95-01 | STUD | | 2 | |
| 62 | 594 30 65-01 | STARTER | | 1 | |
| 65 | 594 30 68-01 | LEVER | | 1 | |

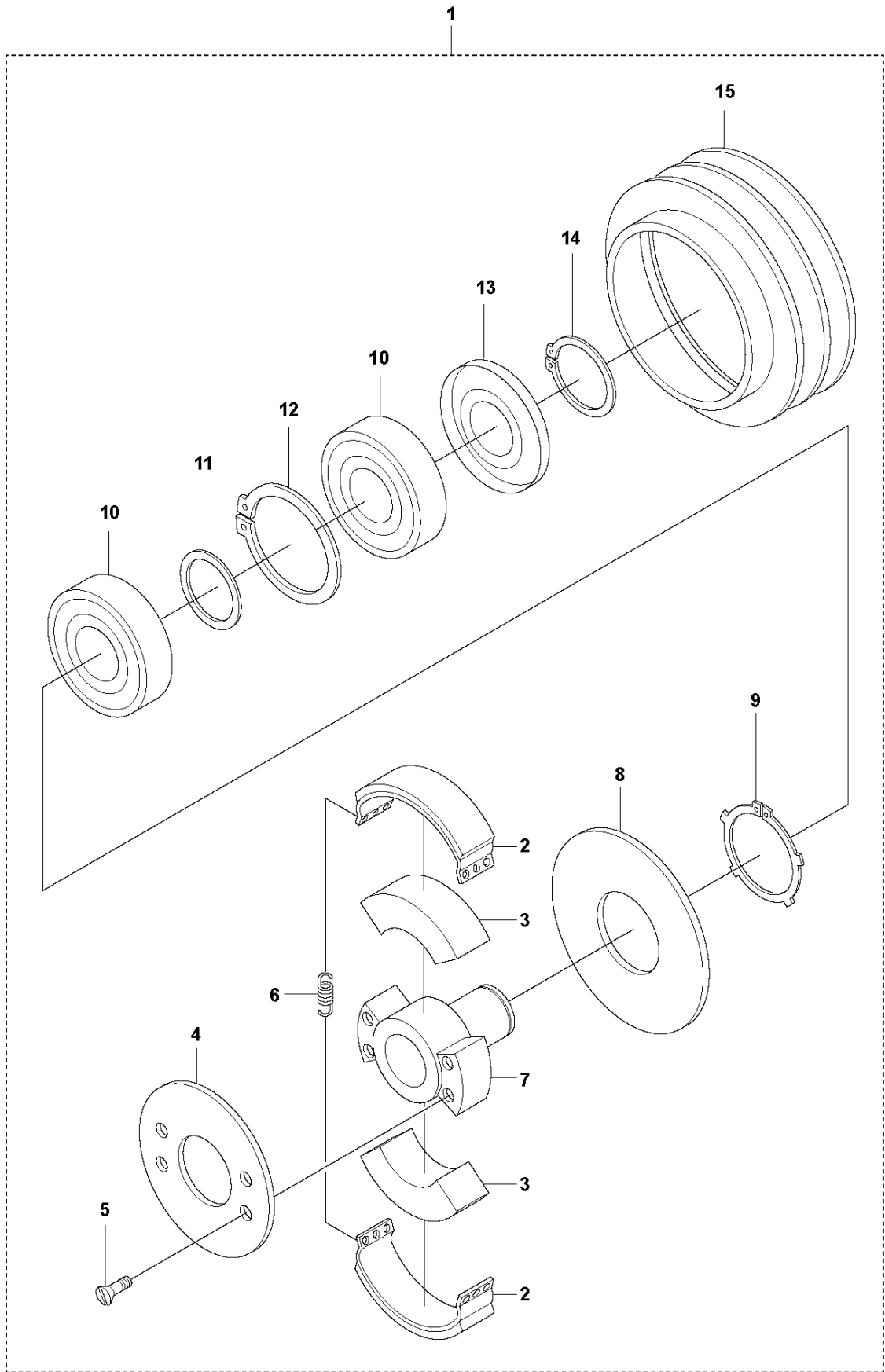
E LG 504
FUEL TANK



FUEL TANK LG 504, 967855501, 967855502, 967855503, 967855504, 967855505, 967855506, 967855507, 967855508, 967855509, 967855510, 967855511, 967855512, 2019-08

| Ref | Part No | Description | Remark | QTY | KIT |
|-----|--------------|-----------------|--------|-----|-----|
| 1 | 594 20 77-01 | FUEL TANK | | 1 | |
| 3 | 594 30 92-01 | CAP | | 1 | 1 |
| 5 | 594 57 38-01 | WASHER | | 12 | 1 |
| 7 | 594 57 40-01 | SPACER | | 6 | 1 |
| 12 | 594 58 32-01 | WATER SEPARATOR | | 1 | |
| 19 | 594 57 99-01 | FUEL FILTER | | 1 | |

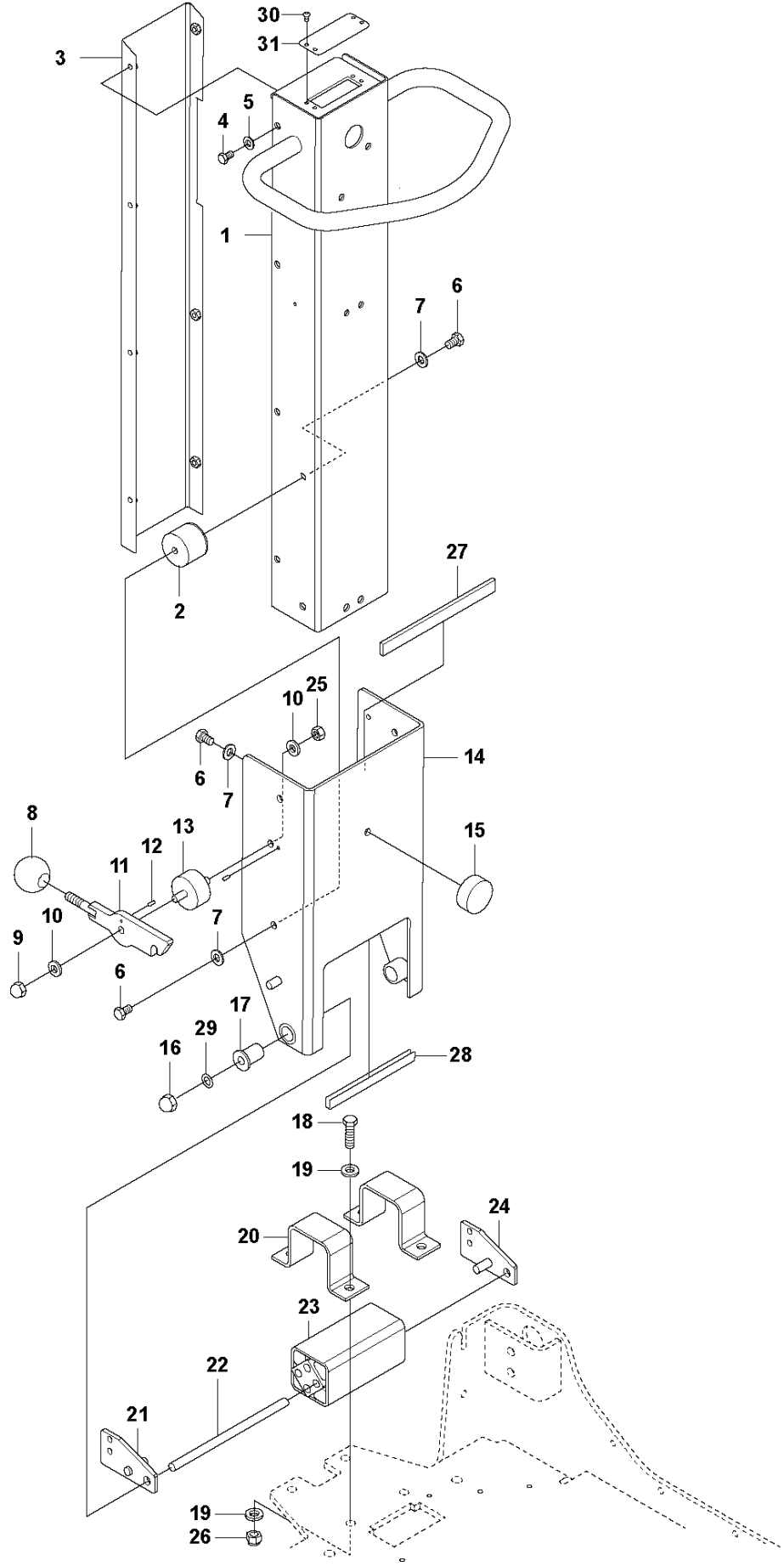
F LG 504
CENTRIFUGAL CLUTCH



CENTRIFUGAL CLUTCH LG 504, 967855501, 967855502, 967855503, 967855504, 967855505, 967855506, 967855507, 967855508, 967855509, 967855510, 967855511, 967855512, 2019-08

| Ref | Part No | Description | Remark | QTY | KIT |
|-----|--------------|--------------|--------|-----|-----|
| 1 | 594 64 68-01 | CLUTCH | | 1 | |
| 2 | 594 59 33-01 | CLUTCH | | 2 | 1 |
| 3 | 594 59 32-01 | WEIGHT | | 2 | 1 |
| 4 | 594 59 34-01 | COVER | | 1 | 1 |
| 5 | 594 59 35-01 | SCREW | | 4 | 1 |
| 6 | 594 49 45-01 | SPRING | | 4 | 1 |
| 7 | 594 59 31-01 | HUB | | 1 | 1 |
| 8 | 594 59 36-01 | COVER | | 1 | 1 |
| 9 | 594 59 37-01 | LOCKWASHER | | 1 | 1 |
| 10 | 594 19 48-01 | BALL BEARING | | 2 | 1 |
| 11 | 594 59 30-01 | WASHER | | 1 | 1 |
| 12 | 594 58 44-01 | RING | | 1 | 1 |
| 13 | 595 06 99-01 | RING | | 1 | 1 |
| 14 | 594 58 45-01 | RING | | 1 | 1 |
| 15 | 594 59 29-01 | BELT | | 1 | 1 |

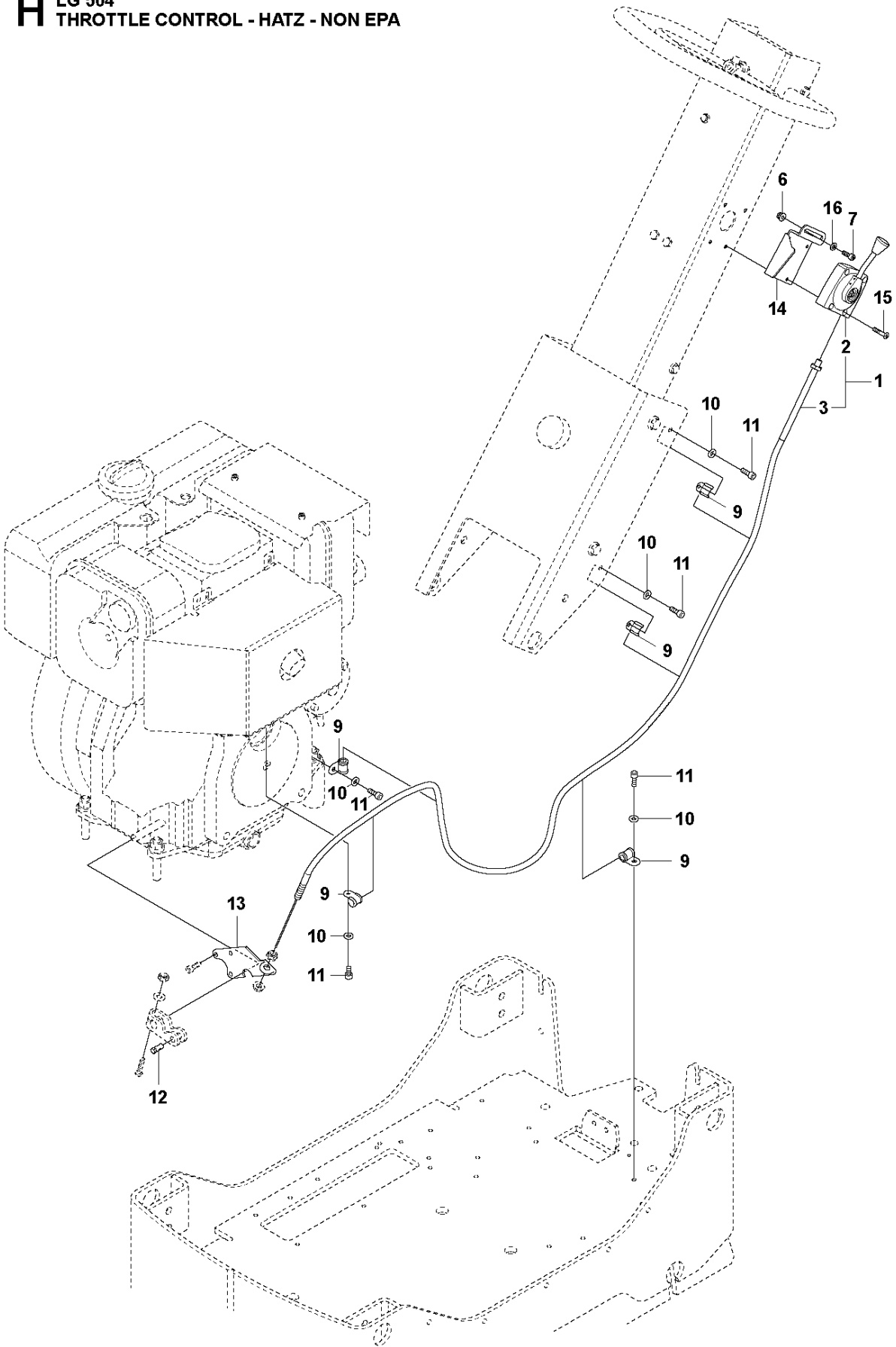
G LG 504
HANDLE



HANDLE LG 504, 967855501, 967855502, 967855503, 967855504, 967855505, 967855506, 967855507, 967855508, 967855509, 967855510, 967855511, 967855512, 2019-08

| Ref | Part No | Description | Remark | QTY KIT |
|-----|--------------|-------------|---------------|---------|
| 1 | 594 17 55-01 | HANDLE | | 1 |
| 2 | 594 15 30-01 | ABSORBER | | 4 |
| 3 | 594 42 73-01 | COVER | | 1 |
| 4 | 595 05 40-01 | SCREW | | 8 |
| 5 | 595 06 66-01 | WASHER | | 8 |
| 6 | 595 05 51-01 | SCREW | | 9 |
| 7 | 594 74 74-01 | WASHER | | 9 |
| 8 | 594 33 36-01 | HANDLE | | 1 |
| 9 | 594 50 14-01 | NUT | | 1 |
| 10 | 594 74 74-01 | WASHER | | 2 |
| 11 | 594 34 71-01 | HOOK | | 1 |
| 12 | 595 03 08-01 | PIN | | 2 |
| 13 | 594 33 39-01 | ABSORBER | | 1 |
| 14 | 594 15 25-01 | HANDLE | | 1 |
| 15 | 594 33 68-01 | STOP | | 1 |
| 16 | 595 06 00-01 | NUT | | 2 |
| 17 | 594 15 35-01 | BUSHING | | 2 |
| 18 | 594 11 91-01 | SCREW | | 4 |
| 19 | 595 06 79-01 | WASHER | | 8 |
| 20 | 594 15 36-01 | CLAMP | | 2 |
| 21 | 594 15 33-01 | RETAINER | | 1 |
| 22 | 594 15 31-01 | STUD | | 1 |
| 23 | 594 15 32-01 | ABSORBER | | 1 |
| 24 | 594 15 34-01 | RETAINER | | 1 |
| 25 | 595 05 95-01 | SCREW | | 1 |
| 26 | 595 11 27-01 | NUT | | 4 |
| 27 | 595 06 95-01 | STRIP | | 1 |
| 28 | 595 06 48-01 | TRIM | | 1 |
| 29 | 595 11 89-01 | LOCKWASHER | | 12 |
| 30 | 598 08 98-01 | COVER | | 1 |
| 31 | 595 06 56-01 | SCREW | M05X10, black | 4 |

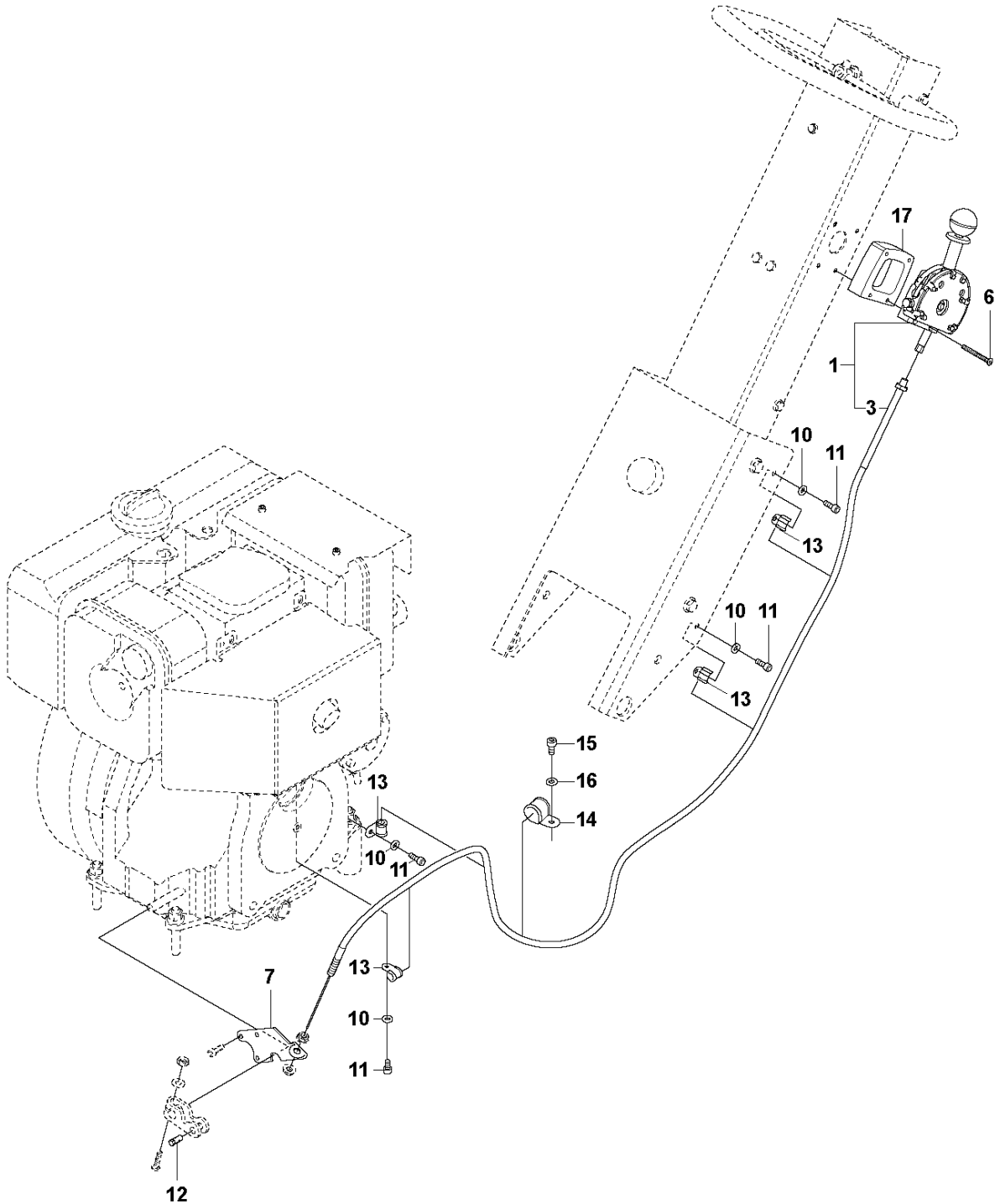
H LG 504
THROTTLE CONTROL - HATZ - NON EPA



THROTTLE CONTROL - NON EPA LG 504, 967855501, 967855502, 967855503, 967855504, 967855505, 967855506, 967855507, 967855508, 967855509, 967855510, 967855511, 967855512,

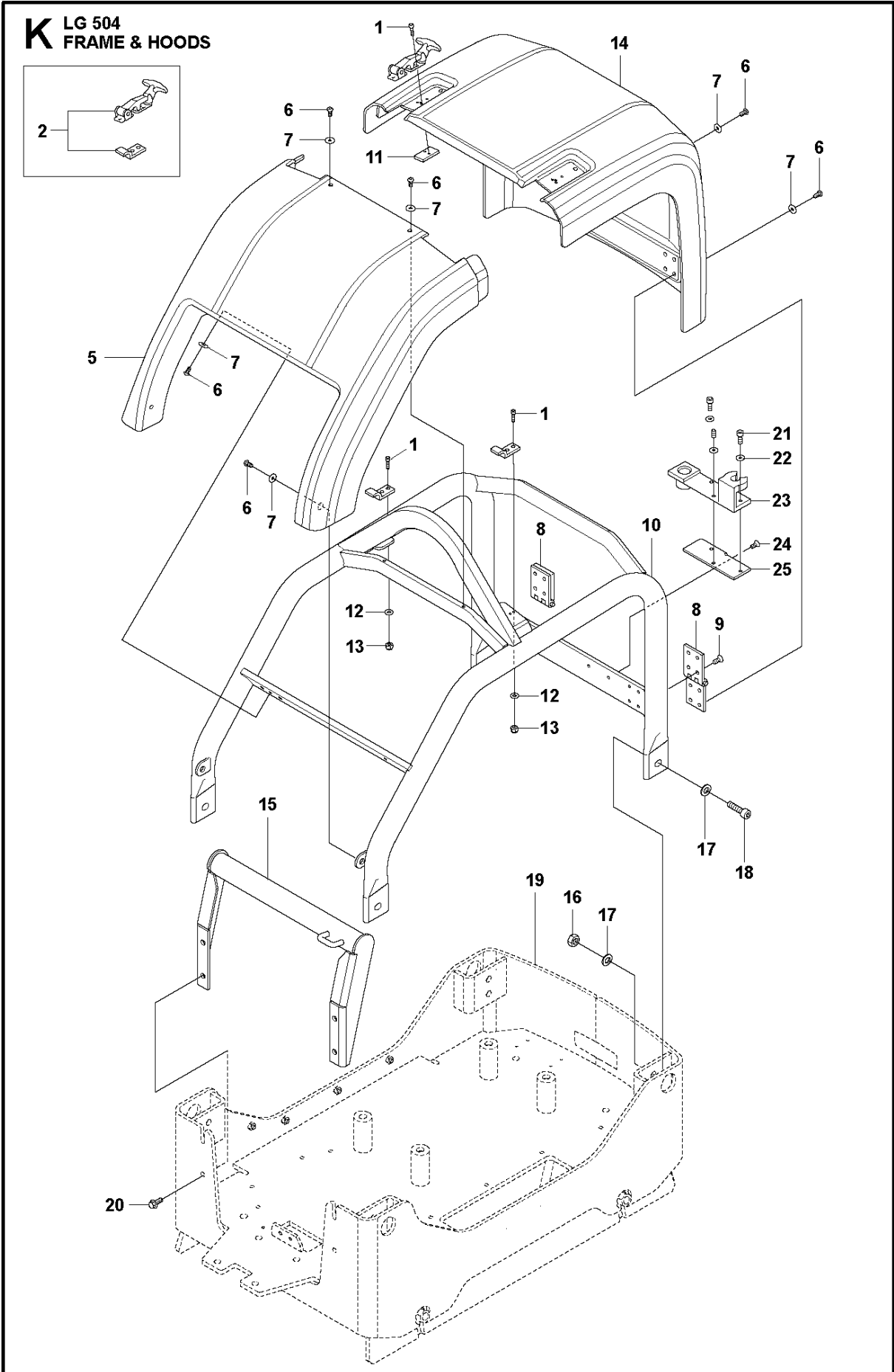
| Ref | Part No | Description | Remark | QTY | KIT |
|-----|--------------|------------------|--------|-----|-----|
| 1 | 594 48 30-01 | THROTTLE CONTROL | | 1 | |
| 2 | 594 49 07-01 | LEVER | | 1 | 1 |
| 3 | 594 48 29-01 | THROTTLE CONTROL | | 1 | 1 |
| 6 | 595 06 45-01 | NUT | | 1 | |
| 7 | 595 05 78-01 | SCREW | | 1 | |
| 9 | 595 03 75-01 | CLAMP | | 5 | |
| 10 | 595 03 65-01 | WASHER | | 5 | |
| 11 | 595 34 79-01 | SOCKET | | 5 | |
| 12 | 594 33 12-01 | NIPPLE | | 1 | |
| 13 | 595 05 00-01 | BRACKET | | 1 | |
| 14 | 594 64 51-01 | BRACKET | | 1 | |
| 15 | 594 74 71-01 | SCREW | | 4 | |
| 16 | 595 03 65-01 | WASHER | | 1 | |

J LG 504
THROTTLE CONTROL - HATZ - EPA



THROTTLE CONTROL - EPA LG 504, 967855501, 967855502, 967855503, 967855504, 967855505, 967855506, 967855507, 967855508, 967855509, 967855510, 967855511, 967855512, 2019-08

| Ref | Part No | Description | Remark | QTY | KIT |
|-----|--------------|------------------|-----------------------------------|-----|-----|
| 1 | 594 17 64-01 | THROTTLE CONTROL | | 1 | |
| 3 | 594 21 02-01 | THROTTLE CABLE | | 1 | 1 |
| 6 | 595 35 00-01 | SCREW | M05 x 55, DIN 7991, H, 8.8 ZnB | 4 | |
| 7 | 595 05 00-01 | BRACKET | | 1 | |
| 10 | 595 03 65-01 | WASHER | | 4 | |
| 11 | 595 34 80-01 | SCREW | | 4 | |
| 12 | 594 33 12-01 | NIPPLE | | 1 | |
| 13 | 595 03 75-01 | CLAMP | | 4 | |
| 14 | 595 47 25-01 | CLAMP | 22.0 8.4 20.0 | 1 | |
| 15 | 595 03 44-01 | SCREW | M8 x 16 DIN 912 - 8.8 zn | 1 | |
| 16 | 595 03 66-01 | WASHER | M8 DIN125 | 1 | |
| 17 | 595 37 59-01 | SPACER | | 1 | |

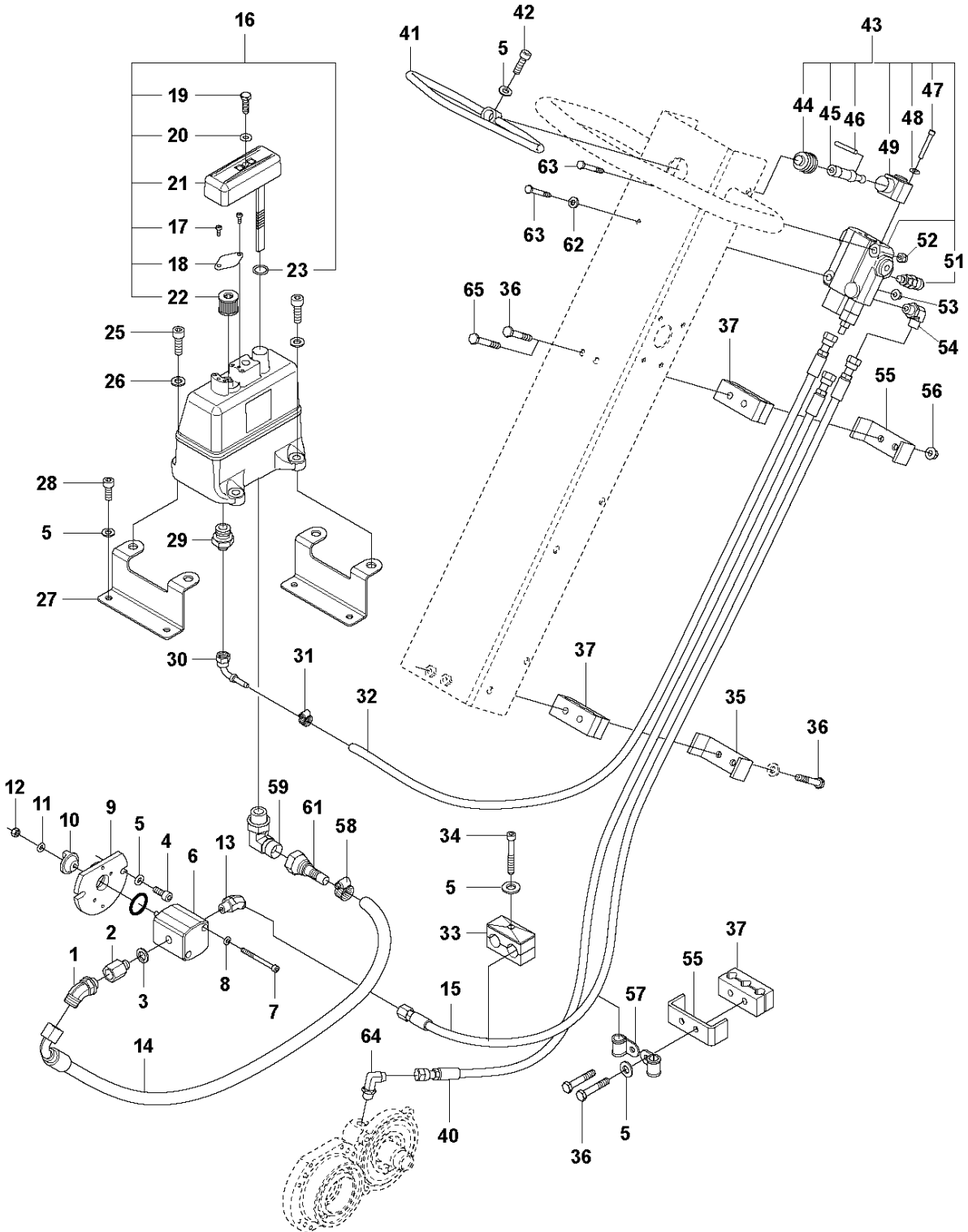


FRAME & HOODS

LG 504, 967855501, 967855502, 967855503, 967855504, 967855505,
967855506, 967855507, 967855508, 967855509, 967855510, 967855511, 967855512, 2019-08

| Ref | Part No | Description | Remark | QTY KIT |
|-----|--------------|--------------|---|---------|
| 1 | 595 11 08-01 | SCREW | | 8 |
| 2 | 594 19 20-01 | LATCH | | 2 |
| 5 | 594 95 78-01 | COVER | | 1 |
| 6 | 595 06 77-01 | SCREW | M6x12 black | 14 |
| 7 | 594 53 51-01 | WASHER | 6 x 18 x 2 mm, 0.24 x 0.71 x 0.08 in. 300 HV | 14 |
| 8 | 594 44 68-01 | HINGE | | 2 |
| 9 | 594 53 49-01 | SCREW | | 8 |
| 10 | 594 18 01-01 | FRAME | | 1 |
| 11 | 594 19 16-01 | STOP | | 2 |
| 12 | 595 06 78-01 | WASHER | | 4 |
| 13 | 595 06 92-01 | LOCK NUT | | 4 |
| 14 | 594 95 78-01 | COVER | | 1 |
| 15 | 594 18 06-01 | BEAM | | 1 |
| 16 | 594 54 86-01 | NUT | | 4 |
| 17 | 595 11 34-01 | WASHER | DIN 125, 13 x 24 x 2,5 | 8 |
| 18 | 595 11 14-01 | SCREW | | 4 |
| 19 | 594 75 67-01 | ENGINE PLATE | | 1 |
| 20 | 594 11 99-01 | SCREW | M8 x 20 mm 8.8 A2K | 4 |
| 21 | 596 88 97-19 | SCREW | M8 x 12 | 3 |
| 22 | 595 03 66-01 | WASHER | | 3 |
| 23 | 594 33 04-01 | CRANK | | 1 |
| 24 | 594 53 49-01 | SCREW | M06 x 16H, A2-70, Black | 2 |
| 25 | 595 12 71-01 | BRACKET | | 1 |

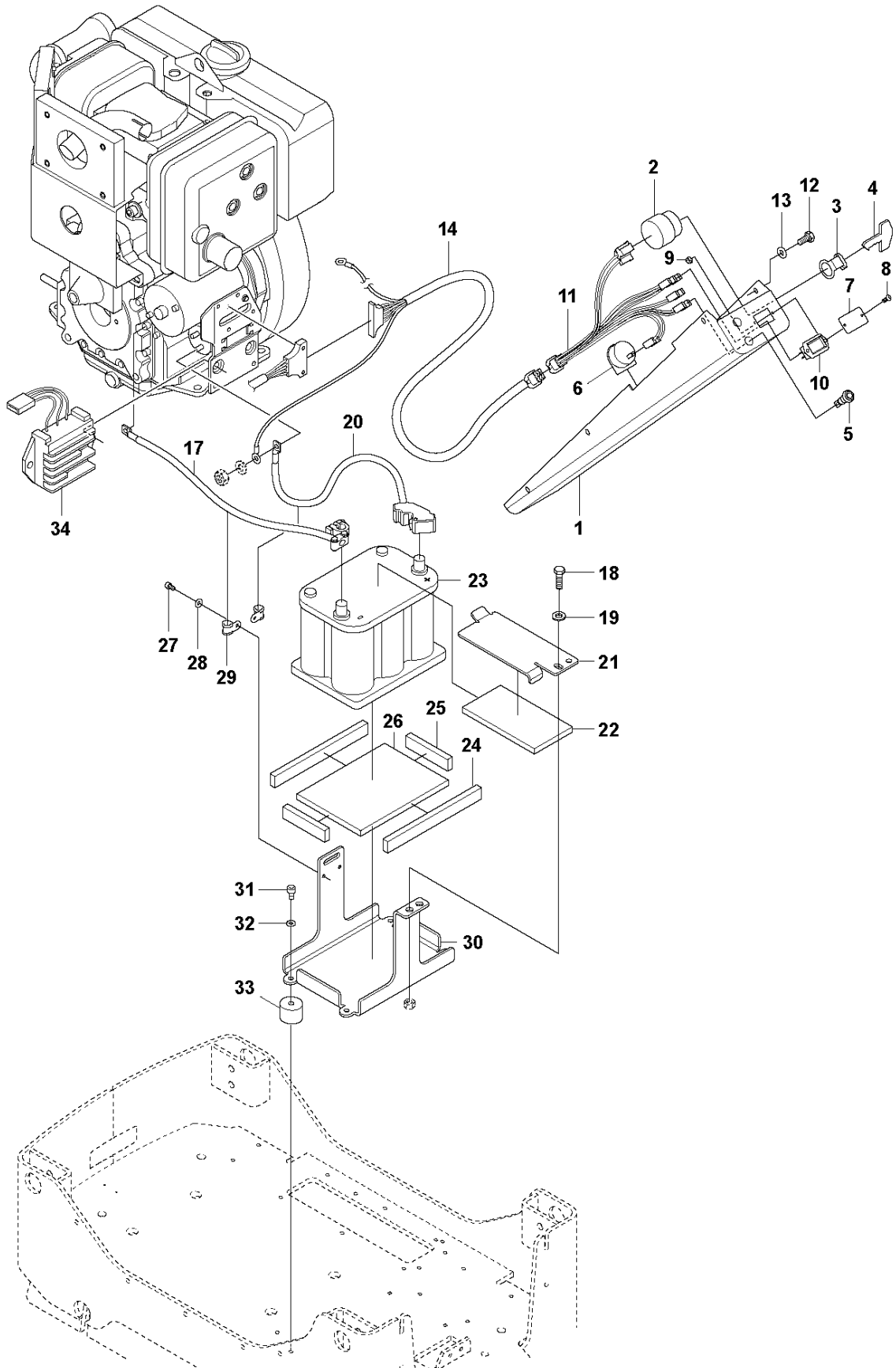
L LG 504
HYDRAULIC SYSTEM



HYDRAULIC SYSTEM LG 504, 967855501, 967855502, 967855503, 967855504, 967855505, 967855506, 967855507, 967855508, 967855509, 967855510, 967855511, 967855512, 2019-08

| Ref | Part No | Description | Remark | QTY | KIT |
|-----|--------------|----------------|--|-----|-----|
| 1 | 595 11 70-01 | NIPPLE | | 1 | |
| 2 | 594 21 96-01 | CONNECTION | | 1 | |
| 3 | 595 35 47-01 | WASHER | | 1 | |
| 4 | 595 34 83-01 | SOCKET | | 2 | |
| 5 | 595 03 66-01 | WASHER | | 9 | |
| 6 | 594 18 63-01 | HYDRAULIC PUMP | | 1 | |
| 7 | 595 34 77-01 | SOCKET | | 2 | |
| 8 | 594 12 38-01 | PLANE WASHER | | 2 | |
| 9 | 595 12 80-01 | ADAPTER | | 1 | |
| 10 | 594 52 01-01 | ADAPTER | | 1 | |
| 11 | 595 03 65-01 | WASHER | | 2 | |
| 12 | 595 28 75-01 | HEXAGON NUT | | 1 | |
| 13 | 594 52 01-01 | ADAPTER | | 1 | |
| 14 | 594 18 58-01 | HYDRAULIC HOSE | | 1 | |
| 15 | 594 18 60-01 | HYDRAULIC HOSE | | 1 | |
| 16 | 594 42 63-01 | HYDRAULIC TANK | | 1 | |
| 17 | 594 83 88-01 | SCREW | | 2 | 16 |
| 18 | 594 44 54-01 | FILTER HOLDER | | 1 | 16 |
| 19 | 595 03 34-01 | SCREW | | 1 | 16 |
| 20 | 595 06 66-01 | WASHER | | 1 | 16 |
| 21 | 594 44 31-01 | COVER | | 1 | 16 |
| 22 | 594 44 55-01 | AIR FILTER | | 1 | 16 |
| 23 | 595 04 73-01 | O-RING | | 1 | 16 |
| 25 | 594 12 07-01 | SCREW | | 4 | |
| 26 | 594 74 74-01 | WASHER | | 4 | |
| 27 | 595 36 72-01 | BRACKET | | 2 | |
| 28 | 595 03 44-01 | SCREW | | 4 | |
| 29 | 595 11 64-01 | NIPPLE | | 1 | |
| 30 | 594 12 76-01 | HOSE COUPLING | | 1 | |
| 31 | 595 16 07-01 | HOSE CLAMP | | 1 | |
| 32 | 594 18 13-01 | HYDRAULIC HOSE | | 1 | |
| 33 | 594 45 52-01 | HOSE | | 1 | |
| 34 | 594 12 04-01 | SOCKET | | 1 | |
| 35 | 594 14 74-01 | BRACKET | | 1 | |
| 36 | 595 05 58-01 | SCREW | | 8 | |
| 37 | 594 32 40-01 | BLOCK | | 3 | |
| 40 | 594 18 11-01 | HYDRAULIC HOSE | | 1 | |
| 41 | 594 64 26-01 | CONTROL LEVER | | 1 | |
| 42 | 595 03 45-01 | SCREW | | 1 | |
| 43 | 594 18 59-01 | VALVE | | 1 | |
| 44 | 594 20 89-01 | COVER | | 1 | 43 |
| 45 | 594 20 88-01 | LEVER | | 1 | 43 |
| 46 | 594 20 87-01 | PIN | | 1 | 43 |
| 47 | 594 20 90-01 | SCREW | | 2 | 43 |
| 48 | 594 20 91-01 | WASHER | | 2 | 43 |
| 49 | 594 20 86-01 | LEVER | | 1 | 43 |
| 51 | 594 20 96-01 | NIPPLE | | 1 | 43 |
| 52 | 595 03 60-01 | LOCK NUT | | 1 | |
| 53 | 595 11 26-01 | NUT | | 1 | |
| 54 | 594 12 73-01 | CONNECTOR | | 3 | |
| 55 | 594 14 74-01 | BRACKET | | 2 | |
| 56 | 595 35 16-01 | NUT | | 2 | |
| 57 | 594 12 53-01 | PIPE CLAMP | 13.0 8.4 20.0 | 2 | |
| 58 | 595 45 47-01 | CLAMP | 015-025, 12 | 1 | |
| 59 | 594 18 61-01 | CONNECTOR | | 1 | |
| 61 | 594 18 62-01 | HOSE CONNECTOR | | 1 | |
| 62 | 595 11 35-01 | WASHER | Conical, 6,4 x 14 | 2 | |
| 63 | 595 28 71-01 | SCREW | M08 x 50, 8.8, A2K | 1 | |
| 64 | 594 12 75-01 | NIPPLE | | 1 | |
| 65 | 595 05 57-01 | SCREW | M8-1,25 x 55 8.8 (LG 504 w/ compaction indicator only) | 8 | |

M LG 504
ELECTRICAL

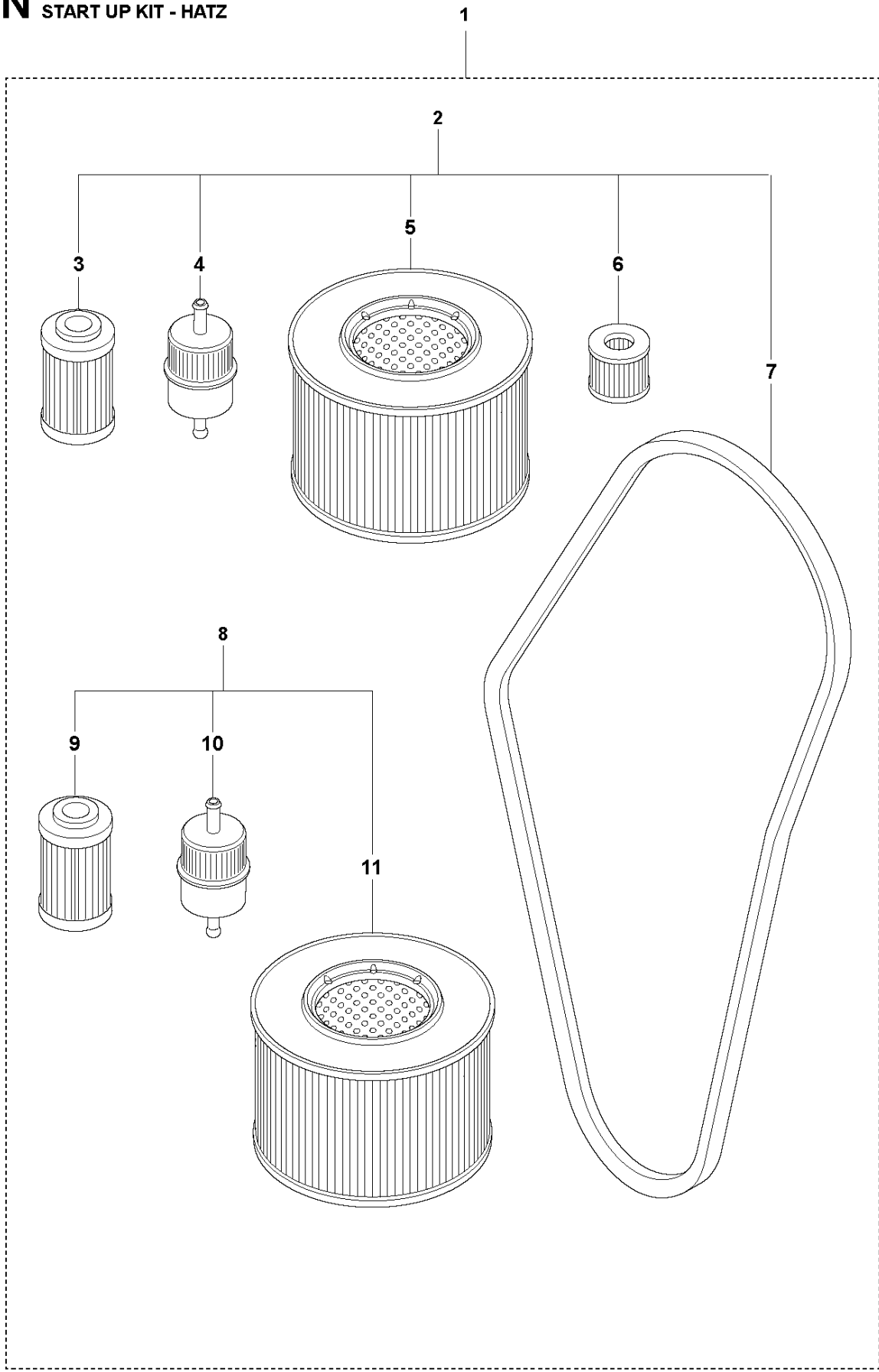


ELECTRICAL LG 504, 967855501, 967855502, 967855503, 967855504, 967855505, 967855506, 967855507, 967855508, 967855509, 967855510, 967855511, 967855512, 2019-08

| Ref | Part No | Description | Remark | QTY KIT |
|-----|--------------|-----------------|----------------------|---------|
| 1 | 594 43 22-01 | CONTROL PANEL | | 1 |
| 2 | 595 04 87-01 | SWITCH | | 1 |
| 3 | 594 53 36-01 | IGNITION SWITCH | | 1 |
| 4 | 595 07 01-01 | KEY | | 1 |
| 5 | 594 51 37-01 | DIODE | | 2 |
| 6 | 594 46 34-01 | BUZZER | | 1 |
| 7 | 594 42 67-01 | COVER | | 1 |
| 8 | 595 06 56-01 | SCREW | M5 x 10 | 2 |
| 9 | 595 47 00-01 | NUT | | 2 |
| 10 | 594 82 71-01 | HOUR METER | Hour meter | 1 |
| 11 | 594 43 23-01 | CABLE | | 1 |
| 12 | 595 05 40-01 | SCREW | | 7 |
| 13 | 595 06 66-01 | WASHER | 8.4 x 6x1.5 mm 300HV | 7 |
| 14 | 594 34 72-01 | CABLE | | 1 |
| 17 | 594 18 74-01 | CABLE | (+) | 1 |
| 18 | 594 11 86-01 | SCREW | | 1 |
| 19 | 594 74 73-01 | WASHER | | 1 |
| 20 | 594 33 07-01 | CABLE | (-) | 1 |
| 21 | 594 18 05-01 | HOLDER | | 1 |
| 22 | 594 43 49-01 | INSULATION | | 1 |
| 23 | 594 48 59-01 | BATTERY | | 1 |
| 24 | 595 36 82-01 | INSULATION | | 2 |
| 25 | 595 36 83-01 | INSULATION | | 2 |
| 26 | 594 18 10-01 | INSULATION | | 1 |
| 27 | 595 34 78-01 | SOCKET | M6 x 10 ISO 4762 | 2 |
| 28 | 595 03 65-01 | WASHER | | 2 |
| 29 | 595 11 46-01 | PIPE CLAMP | | 2 |
| 30 | 595 36 69-01 | HOLDER | | 1 |
| 31 | 595 11 01-01 | SCREW | m8 x 16 | 4 |
| 32 | 595 03 66-01 | WASHER | DIN 125 | 4 |
| 33 | 594 18 72-01 | ABSORBER | | 4 |
| 34 | 594 60 64-01 | RELAY | | 1 |

START UP KIT LG 504, 967855501, 967855502, 967855503, 967855504, 967855505, 967855506, 967855507, 967855508, 967855509, 967855510, 967855511, 967855512, 2019-08

N LG 504
START UP KIT - HATZ

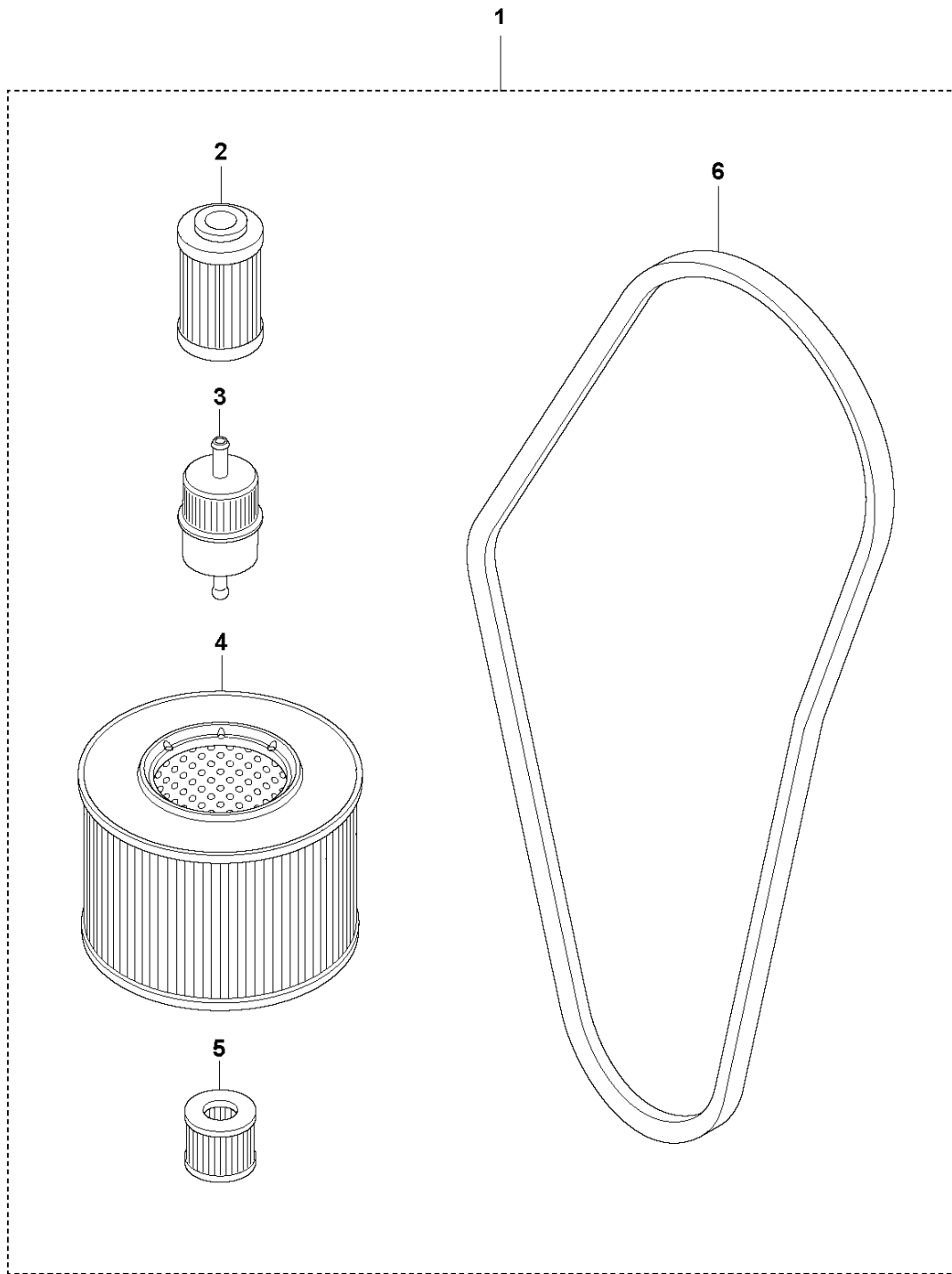


START UP KIT LG 504, 967855501, 967855502, 967855503, 967855504, 967855505, 967855506, 967855507, 967855508, 967855509, 967855510, 967855511, 967855512, 2019-08

| Ref | Part No | Description | Remark | QTY KIT | |
|-----|--------------|-------------|--|---------|------|
| 1 | 594 21 84-01 | SERVICE KIT | Start up kit, Hatz 1D81Z + 250 hours, 6 months | 1 | |
| 2 | 594 21 72-01 | SERVICE KIT | Service kit, Hatz 1D81Z | 1 | 1 |
| 3 | 594 30 24-01 | OIL FILTER | | 1 | 1, 2 |
| 4 | 594 57 99-01 | FUEL FILTER | | 1 | 1, 2 |
| 5 | 594 30 54-01 | AIR FILTER | | 1 | 1, 2 |
| 6 | 594 44 55-01 | AIR FILTER | Donaldson (small air filter in the Hydraulic oil tank) | 1 | 1, 2 |
| 7 | 594 18 91-01 | V-BELT | V-belt XPA 1208(6T43) | 2 | 1, 2 |
| 8 | 594 21 50-01 | SERVICE KIT | Service kit 250 hours, 6 months | 1 | 1 |
| 9 | 594 30 24-01 | OIL FILTER | | 1 | 1, 8 |
| 10 | 594 57 99-01 | FUEL FILTER | | 1 | 1, 8 |
| 11 | 594 30 54-01 | AIR FILTER | | 1 | 1, 8 |

12 MONTHS / 500 HOURS SERVICE KIT LG 504, 967855501, 967855502, 967855503, 967855504, 967855505, 967855506, 967855507, 967855508, 967855509, 967855510, 967855511, 967855512, 2019-08

P LG 504
12 MONTHS / 500 HOURS SERVICE KIT - HATZ

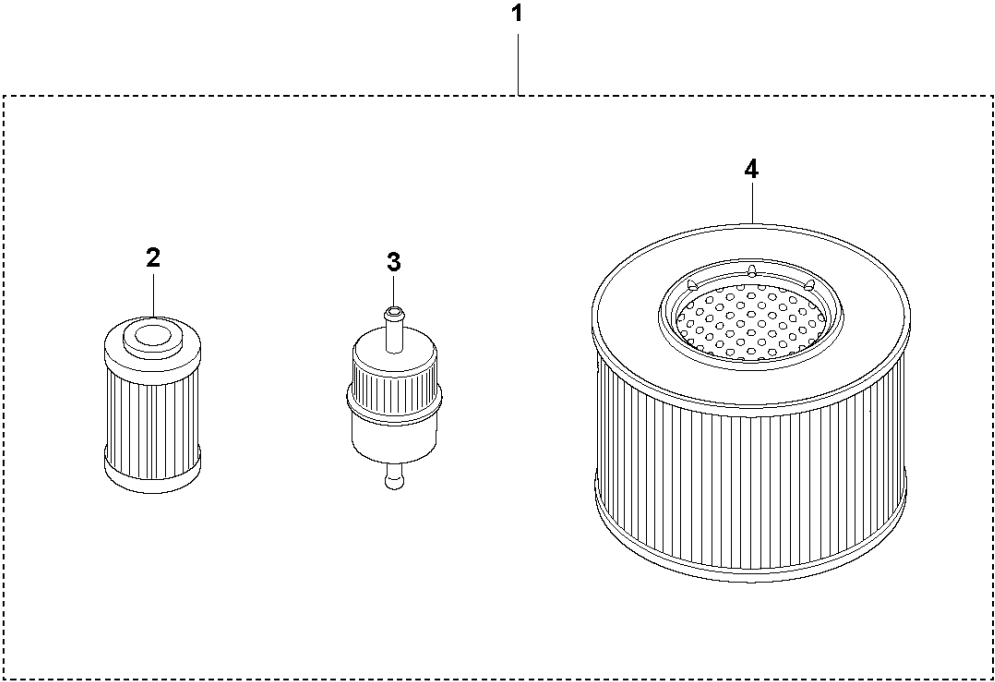


12 MONTHS / 500 HOURS SERVICE KIT LG 504, 967855501, 967855502, 967855503, 967855504, 967855505, 967855506, 967855507, 967855508, 967855509, 967855510, 967855511, 967855512,

| Ref | Part No | Description | Remark | QTY KIT | |
|-----|--------------|-------------|--|---------|---|
| 1 | 594 21 72-01 | SERVICE KIT | Service kit, Hatz 1D81Z | 1 | |
| 2 | 594 30 24-01 | OIL FILTER | | 1 | 1 |
| 3 | 594 57 99-01 | FUEL FILTER | | 1 | 1 |
| 4 | 594 30 54-01 | AIR FILTER | | 1 | 1 |
| 5 | 594 44 55-01 | AIR FILTER | Donaldson (small air filter in the Hydraulic oil tank) | 1 | 1 |
| 6 | 594 18 91-01 | V-BELT | V-belt XPA 1208(6T43) | 2 | 1 |

SIX MONTHS / EVERY 250 HOURS KIT LG 504, 967855501, 967855502, 967855503, 967855504, 967855505, 967855506, 967855507, 967855508, 967855509, 967855510, 967855511, 967855512, 2019-08

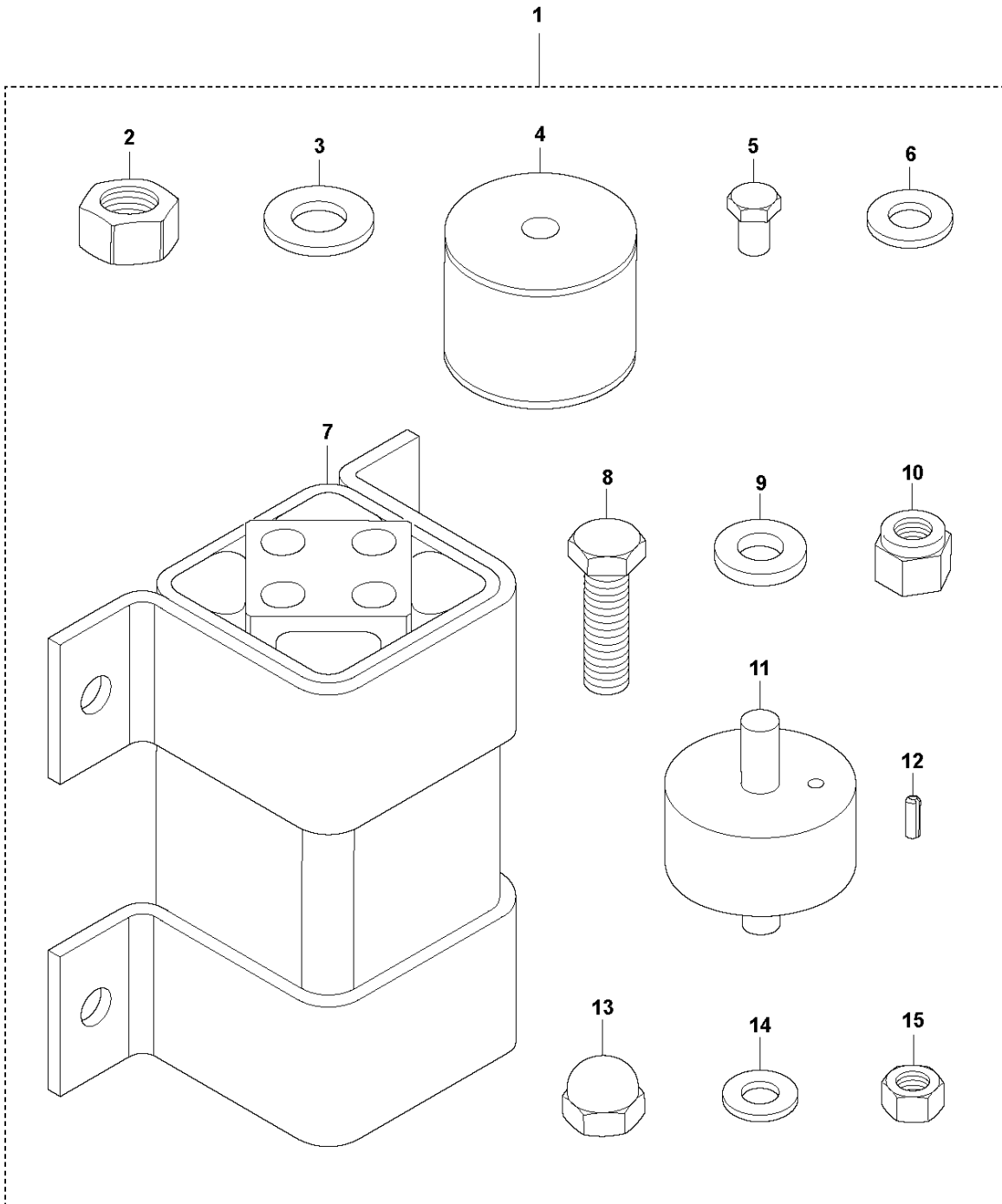
Q LG 504
6 MONTHS / EVERY 250 HOURS SERVICE KIT - HATZ



SIX MONTHS / EVERY 250 HOURS KIT LG 504, 967855501, 967855502, 967855503, 967855504, 967855505, 967855506, 967855507, 967855508, 967855509, 967855510, 967855511, 967855512,

| Ref | Part No | Description | Remark | QTY KIT | |
|-----|--------------|-------------|---------------------------------|---------|---|
| 1 | 594 21 50-01 | SERVICE KIT | Service kit 250 hours, 6 months | 1 | |
| 2 | 594 30 24-01 | OIL FILTER | | 1 | 1 |
| 3 | 594 57 99-01 | FUEL FILTER | | 1 | 1 |
| 4 | 594 30 54-01 | AIR FILTER | | 1 | 1 |

R LG 504
SHOCK ABSORBER REPAIR KIT

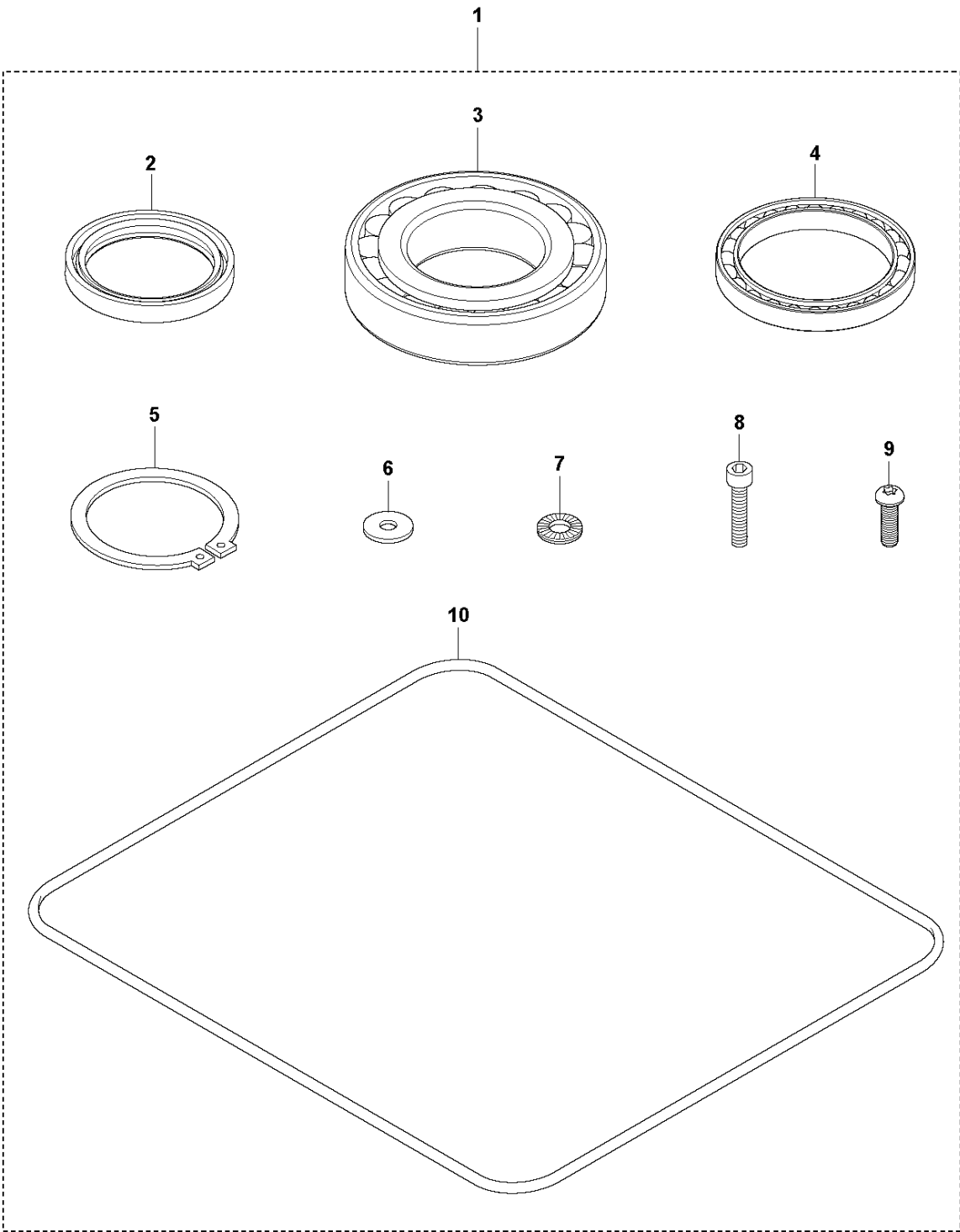


SHOCK ABSORBER REPAIR KIT LG 504, 967855501, 967855502, 967855503, 967855504, 967855505, 967855506, 967855507, 967855508, 967855509, 967855510, 967855511, 967855512,

| Ref | Part No | Description | Remark | QTY KIT | |
|-----|--------------|-------------|-------------------------------|---------|---|
| 1 | 595 38 45-01 | REPAIR KIT | | 1 | |
| 2 | 595 03 58-01 | NUT | M16 x 2,00, -8, A3K | 8 | 1 |
| 3 | 595 03 67-01 | WASHER | M16 17,0x30x3,0 300 HV | 8 | 1 |
| 4 | 594 15 30-01 | ABSORBER | | 4 | 1 |
| 5 | 595 34 46-01 | SCREW | M10 x 16 | 8 | 1 |
| 6 | 594 74 74-01 | WASHER | M10 10,5x22x2,0 300 HV | 8 | 1 |
| 7 | 594 15 32-01 | ABSORBER | DR-A 45x150 | 1 | 1 |
| 8 | 594 11 91-01 | SCREW | M12 x 040H, 8.8, A3K | 4 | 1 |
| 9 | 595 06 79-01 | WASHER | M12 13,0x24x4,0 200-300 HV | 8 | 1 |
| 10 | 595 11 27-01 | NUT | M12 ISO7040 | 4 | 1 |
| 11 | 594 33 39-01 | ABSORBER | A50/25 M10x20 NR60 | 1 | 1 |
| 12 | 595 03 08-01 | PIN | 4 x 12 | 2 | 1 |
| 13 | 594 50 14-01 | NUT | M10-1,5 | 1 | 1 |
| 14 | 594 74 73-01 | WASHER | M10 10,5x22x4,0 300 HV,STD277 | 2 | 1 |
| 15 | 595 02 94-01 | NUT | M10 DIN 934-8 Zn | 1 | 1 |

ECCENTRIC ELEMENT REPAIR KIT LG 504, 967855501, 967855502, 967855503, 967855504, 967855505, 967855506, 967855507, 967855508, 967855509, 967855510, 967855511, 967855512, 2019-08

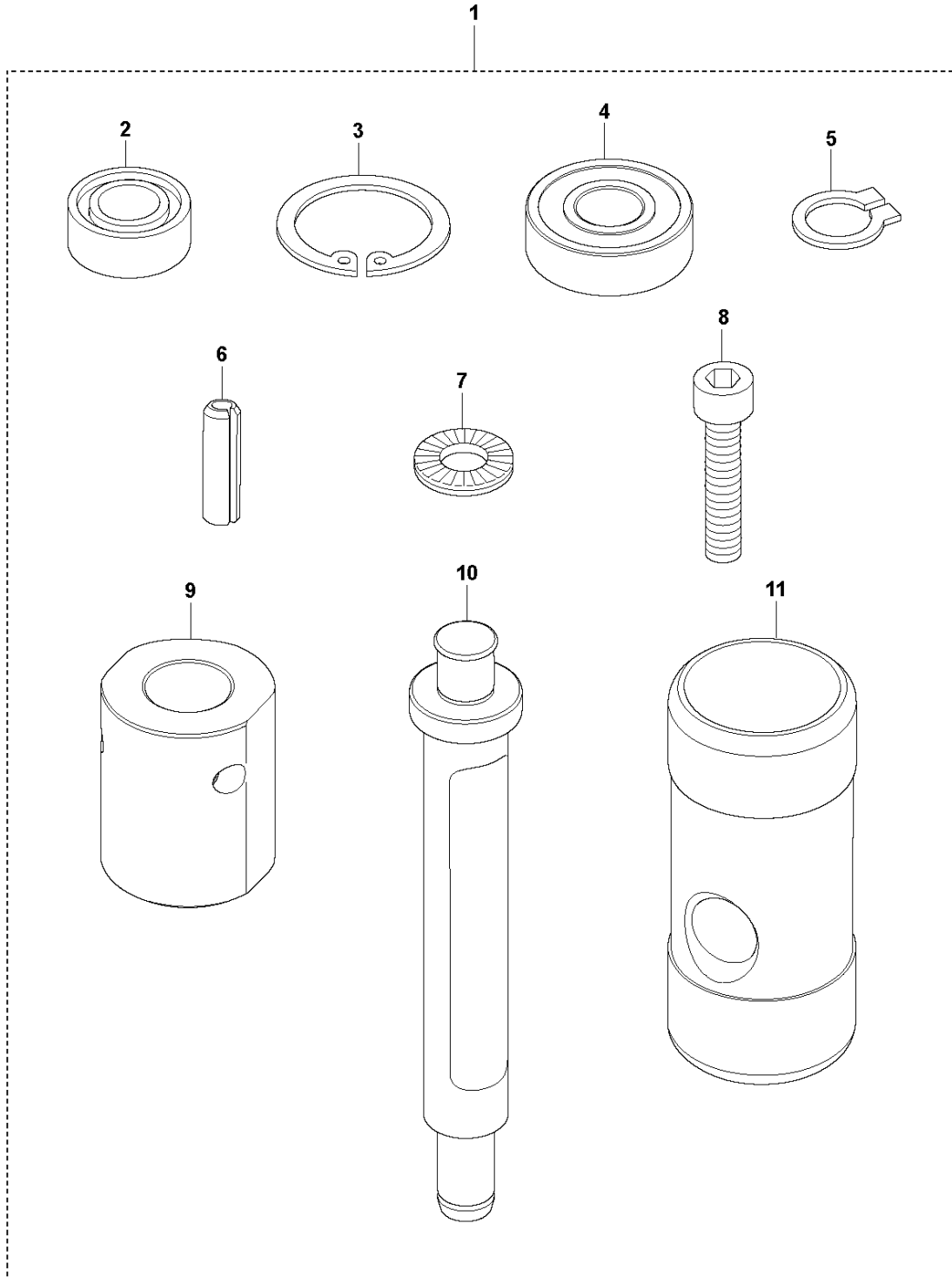
S LG 504
ECCENTRIC ELEMENT REPAIR KIT



ECCENTRIC ELEMENT REPAIR KIT LG 504, 967855501, 967855502, 967855503, 967855504,
 967855505, 967855506, 967855507, 967855508, 967855509, 967855510, 967855511, 967855512,

| Ref | Part No | Description | Remark | QTY KIT | |
|-----|--------------|--------------|--------------------------|---------|---|
| 1 | 595 39 02-01 | REPAIR KIT | | 1 | |
| 2 | 594 18 42-01 | RADIAL SEAL | | 1 | 1 |
| 3 | 594 18 34-01 | BEARING | | 4 | 1 |
| 4 | 594 54 76-01 | BALL BEARING | | 2 | 1 |
| 5 | 595 03 74-01 | CIRCLIP | | 1 | 1 |
| 6 | 595 03 64-01 | WASHER | Ø6.4x18x1.6 | 8 | 1 |
| 7 | 594 12 46-01 | WASHER | Nordlock NL6 M6 DIA 13.5 | 16 | 1 |
| 8 | 595 28 74-01 | SCREW | | 16 | 1 |
| 9 | 598 04 63-01 | SCREW | | 8 | 1 |
| 10 | 594 75 99-01 | O-RING | | 1 | 1 |

T LG 504
FORWARD AND REVERSE PISTON REPAIR KIT

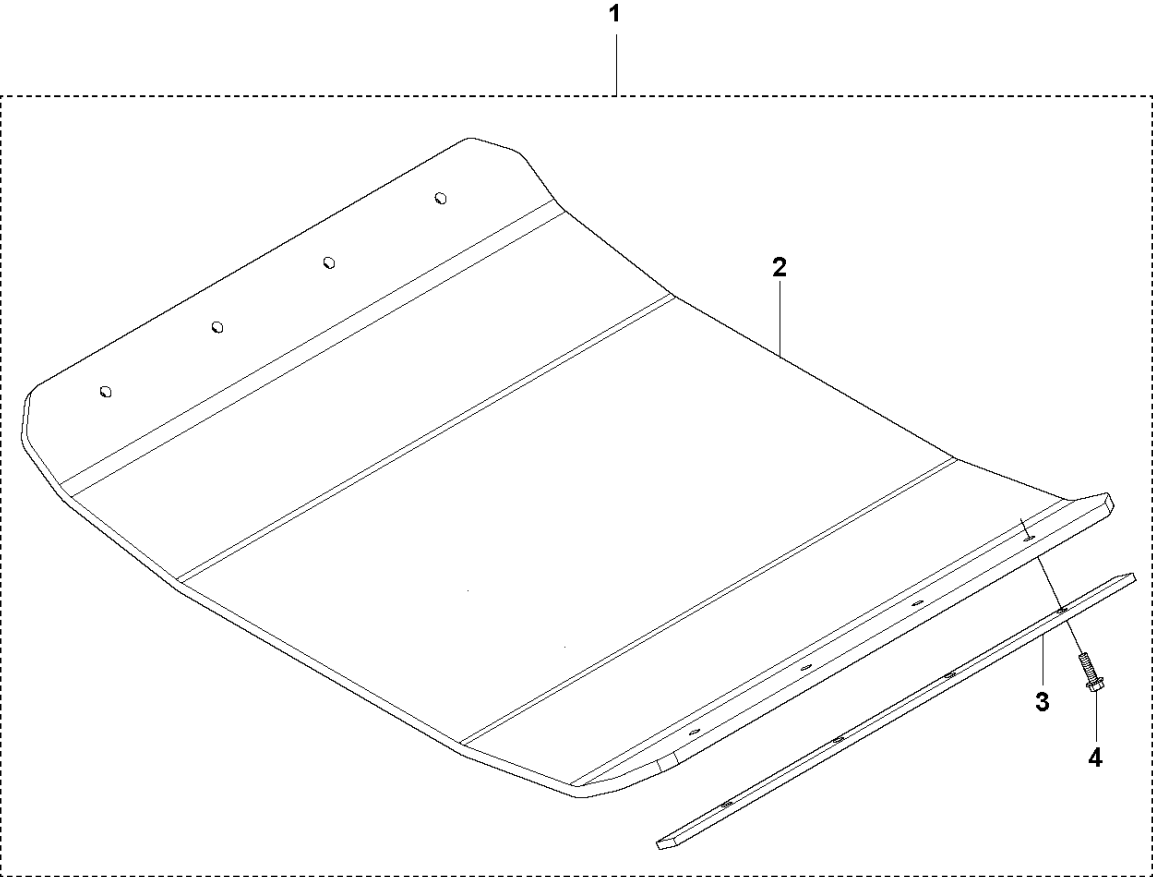


FORWARD & REVERSE PISTON REPAIR KIT LG 504, 967855501, 967855502, 967855503,
 967855504, 967855505, 967855506, 967855507, 967855508, 967855509, 967855510, 967855511,

| Ref | Part No | Description | Remark | QTY KIT | |
|-----|--------------|--------------|---------------------|---------|---|
| 1 | 595 39 03-01 | REPAIR KIT | | | |
| 2 | 594 18 43-01 | SEALING | | 1 | 1 |
| 3 | 595 11 39-01 | CIRCLIP | | 1 | 1 |
| 4 | 594 18 36-01 | BALL BEARING | | 2 | 1 |
| 5 | 595 04 63-01 | RING | | 1 | 1 |
| 6 | 595 03 11-01 | PIN | Ø6 x 20 mm DIN 1481 | 6 | 1 |
| 7 | 594 12 46-01 | WASHER | | 4 | 1 |
| 8 | 595 28 74-01 | SCREW | | 4 | 1 |
| 9 | 594 64 30-01 | CAP | | 1 | 1 |
| 10 | 594 18 23-01 | PISTON ROD | | 1 | 1 |
| 11 | 594 18 24-01 | PISTON | | 1 | 1 |

BLOCK PAVING PLATE KIT 700 MM LG 504, 967855501, 967855502, 967855503, 967855504, 967855505, 967855506, 967855507, 967855508, 967855509, 967855510, 967855511, 967855512, 2019-08

U LG 504
BLOCK PAVING PLATE KIT 700 MM (27.6")

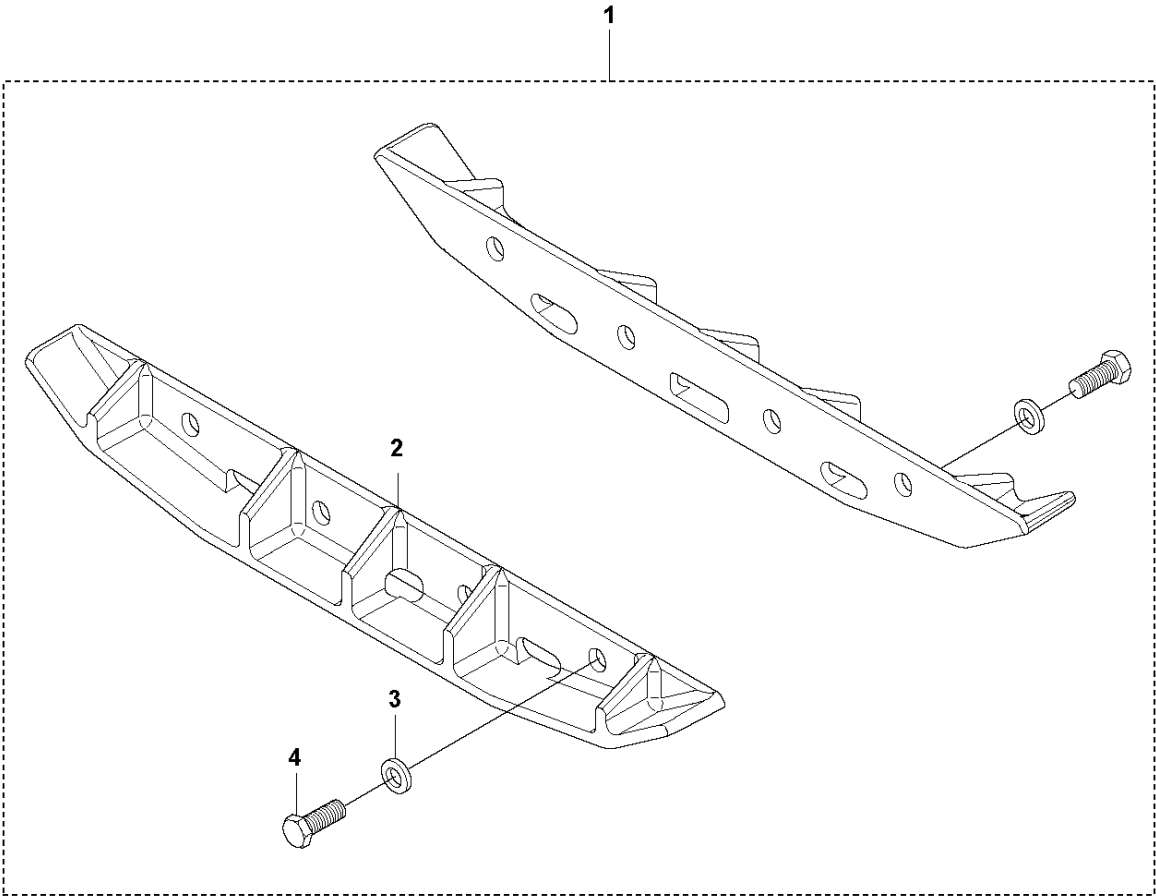


BLOCK PAVING PLATE KIT 700 MM LG 504, 967855501, 967855502, 967855503, 967855504, 967855505, 967855506, 967855507, 967855508, 967855509, 967855510, 967855511, 967855512,

| Ref | Part No | Description | Remark | QTY KIT | |
|-----|--------------|-------------|------------------------------------|---------|---|
| 1 | 595 12 89-01 | BLOCK | Block-paving kit 950x700 mm option | 1 | |
| 2 | 594 75 90-01 | PLATE | 700 mm, 27.6" | 1 | 1 |
| 3 | 594 44 69-01 | BRACKET | | 2 | 1 |
| 4 | 594 11 98-01 | SCREW | M08 x 30, 8.8, A2K | 8 | 1 |

EXTENSION PLATE KIT 2 X 75 MM LG 504, 967855501, 967855502, 967855503, 967855504, 967855505, 967855506, 967855507, 967855508, 967855509, 967855510, 967855511, 967855512, 2019-08

V LG 504
EXTENSION PLATE KIT 2 X 75 MM (2X 2.95")

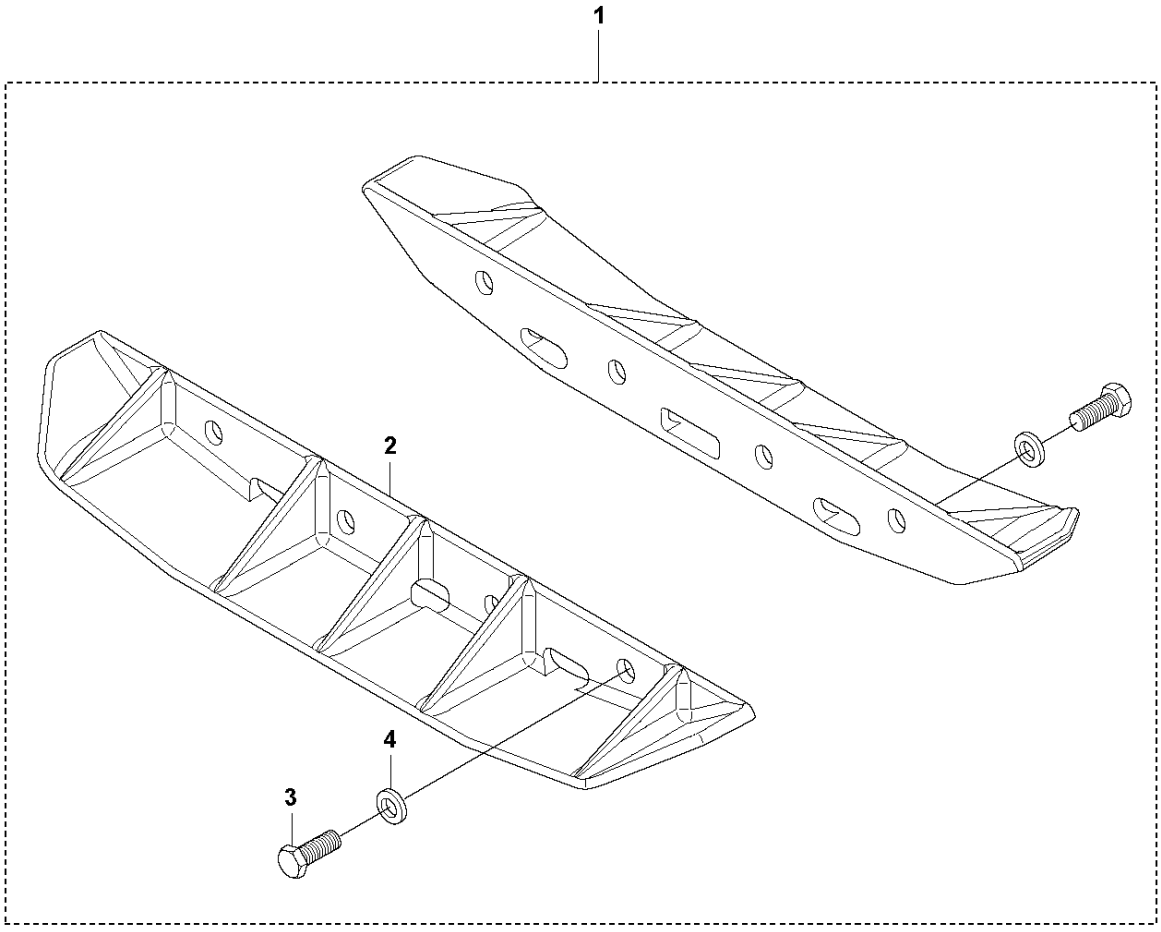


EXTENSION PLATE KIT 2 X 75 MM LG 504, 967855501, 967855502, 967855503, 967855504,
967855505, 967855506, 967855507, 967855508, 967855509, 967855510, 967855511, 967855512,

| Ref | Part No | Description | Remark | QTY KIT | |
|-----|--------------|-------------|--|---------|---|
| 1 | 594 75 87-01 | PLATE | | 1 | |
| 2 | 595 12 87-01 | PLATE | 75 mm, 2.95 in. | 2 | 1 |
| 3 | 595 06 52-01 | WASHER | 21 x 36 x 6 mm, 0.83 x 1.42 x 0.24 300 HV | 8 | 1 |
| 4 | 594 11 94-01 | SCREW | M20 x 50 mm 8.8 A9K | 8 | 1 |

EXTENSION PLATE KIT 2 X 150 MM LG 504, 967855501, 967855502, 967855503, 967855504, 967855505, 967855506, 967855507, 967855508, 967855509, 967855510, 967855511, 967855512, 2019-08

W LG 504
EXTENSION PLATE KIT 2 X 150 MM (5 X 5.90")

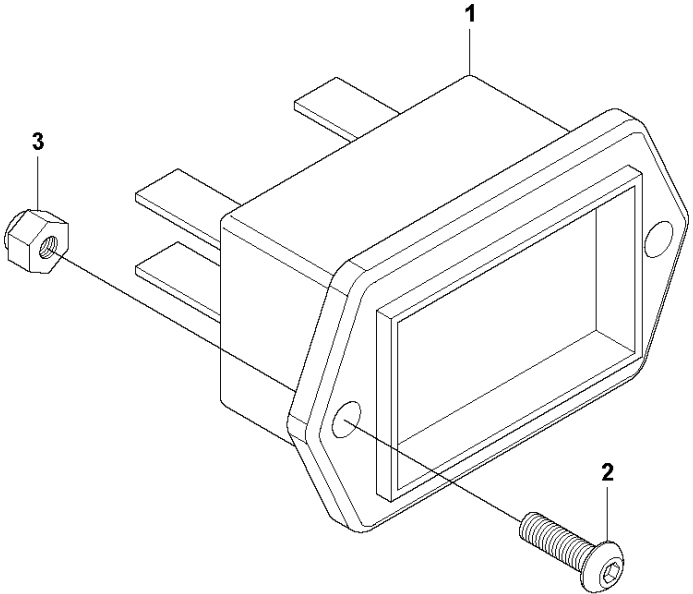


EXTENSION PLATE KIT 2 X 150 MM LG 504, 967855501, 967855502, 967855503, 967855504, 967855505, 967855506, 967855507, 967855508, 967855509, 967855510, 967855511, 967855512,

| Ref | Part No | Description | Remark | QTY KIT | |
|-----|--------------|-------------|---|---------|---|
| 1 | 594 75 88-01 | PLATE | | 1 | |
| 2 | 594 18 87-01 | PLATE | "150 mm, 5.90"" | 2 | 1 |
| 3 | 594 11 94-01 | SCREW | M20 x 50 mm 8.8 A9K | 8 | 1 |
| 4 | 595 06 52-01 | WASHER | 21 x 45 mm, 0.83 x 0.87 x 1.77 in. 300 HV | 8 | 1 |

HOUR METER LG 504, 967855501, 967855502, 967855503, 967855504, 967855505, 967855506, 967855507, 967855508, 967855509, 967855510, 967855511, 967855512, 2019-08

X LG 504
HOUR METER



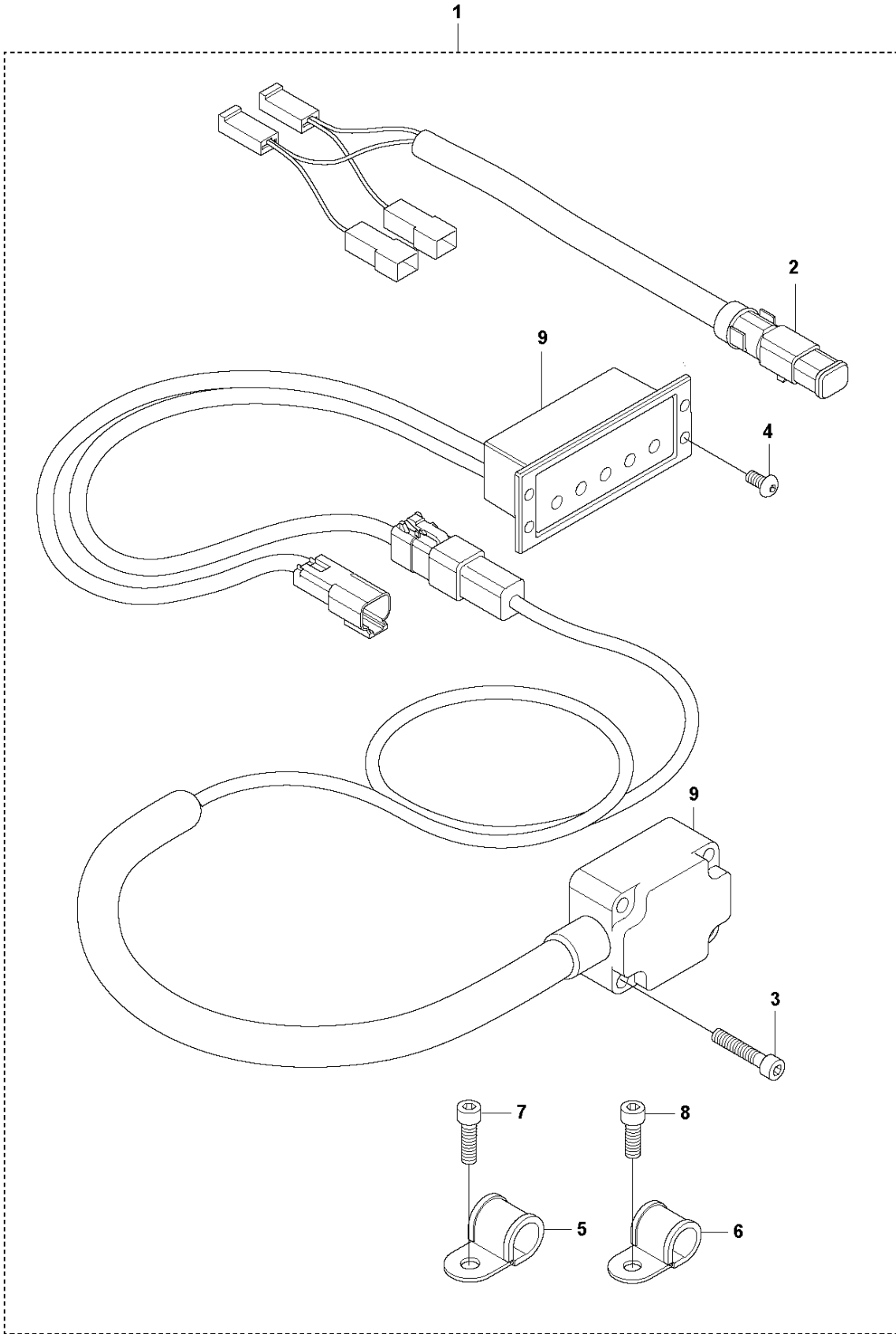
HOUR METER LG 504, 967855501, 967855502, 967855503, 967855504, 967855505, 967855506, 967855507, 967855508, 967855509, 967855510, 967855511, 967855512, 2019-08

| Ref | Part No | Description | Remark | QTY KIT |
|-----|--------------|-------------|--------------------------------|---------|
| 1 | 594 82 71-01 | HOUR METER | LCD 3-terminal, enable 2-screw | 1 |
| 2 | 595 06 56-01 | SCREW | Screw M3 x 10 mm black | 2 |
| 3 | 595 47 00-01 | NUT | nut M3 | 2 |

COMPACTION INDICATOR KIT
2019-08

LG 504, 967855501, 967855502, 967855503, 967855504,
967855505, 967855506, 967855507, 967855508, 967855509, 967855510, 967855511, 967855512,

Y LG 504
COMPACTION INDICATOR KIT



COMPACTION INDICATOR KIT LG 504, 967855501, 967855502, 967855503, 967855504,
 967855505, 967855506, 967855507, 967855508, 967855509, 967855510, 967855511, 967855512,

| Ref | Part No | Description | Remark | QTY KIT | |
|-----|--------------|-------------|--------------------------------|---------|---|
| 1 | 594 76 17-01 | INDICATOR | Compaction indicator kit | 1 | |
| 2 | 594 75 57-01 | HARNES | Wiring harness | 1 | 1 |
| 3 | 595 11 12-01 | SCREW | Screw M06x030H, 8.8, A2K | 4 | 1 |
| 4 | 595 06 56-01 | SCREW | Screw M05X10 black | 4 | 1 |
| 5 | 595 11 48-01 | PIPE CLAMP | Pipe clamp covered Ø19 x 15 M6 | 2 | 1 |
| 6 | 594 12 56-01 | PIPE CLAMP | Pipe clamp covered Ø16 M6 | 1 | 1 |
| 7 | 595 03 48-01 | SCREW | Screw M6x20(10) | 2 | 1 |
| 8 | 595 03 42-01 | SCREW | Screw M6x16(10) | 1 | 1 |
| 9 | 594 18 77-01 | INDICATOR | | 1 | 1 |

**Z LG 504
GOLD KIT**

1

| | | | |
|--|------------------|---------------------------------------|----|
| 1 | 595389701 | Gold Kit LG 504 Hatz | |
| Ground Plate -Eccentric-Handling System LG 504 Hatz | | | |
| 2 | Eccentric System | Shock absorber repair kit | 1 |
| 3 | | Eccentric element repair kit | 1 |
| 4 | | Forward and reverse piston repair kit | 1 |
| 5 | | V-Belt Pulley | 1 |
| 6 | | Clutch | 1 |
| 7 | | Hydraulic Hose | 1 |
| 8 | | Hydraulic Hose | 1 |
| 9 | | Hydraulic Hose | 1 |
| 10 | | Hydraulic Hose | 1 |
| Cosmetic Kit LG 504 Hatz | | | |
| 11 | Cover | Latch, complete | 2 |
| 12 | | Hex sock. Screw | 8 |
| 13 | | Front hood | 1 |
| 14 | | Rear hood | 1 |
| 15 | V-belt Cover | Button head socket screw, M6x12 | 14 |
| 16 | | Washer | 14 |
| 17 | Protection | Cover, complete | 1 |
| 18 | | V-belt Cover | 1 |
| 19 | | Captive screw | 10 |
| 20 | | Screw | 4 |
| 21 | Heat Protection | Washer | 5 |
| 22 | | Cover | 1 |
| 23 | | Insulation | 1 |
| 24 | | Insulating washer | 12 |
| 25 | | Heat protection | 1 |
| 26 | | Sound insulation | 1 |
| 27 | | Sound insulation | 1 |
| 28 | | Screw | 2 |
| 29 | Washer | 2 | |
| 30 | Handle | Hex socket screw | 1 |
| 31 | | Handle | 1 |
| 32 | | Screw | 1 |
| 33 | | Rubber Cover | 1 |
| 34 | | Lever | 1 |
| 35 | | Housing | 1 |
| 36 | | Measuring nipple | 1 |
| 37 | | Screw | 2 |
| 38 | | Washer | 2 |
| 39 | | Pin | 1 |
| 40 | Labeling | Product Label Kit LG 504 Hatz Non EPA | 1 |
| Engine | | | |
| 41 | Hatz Engine | Yearly Service Kit | 1 |

GOLD KIT LG 504, 967855501, 967855502, 967855503, 967855504, 967855505, 967855506,
967855507, 967855508, 967855509, 967855510, 967855511, 967855512, 2019-08

| Ref | Part No | Description | Remark | QTY KIT |
|-----|--------------|-------------|--------|---------|
| 1 | 595 38 97-01 | SERVICE KIT | | 1 |

SILVER KIT LG 504, 967855501, 967855502, 967855503, 967855504, 967855505, 967855506, 967855507, 967855508, 967855509, 967855510, 967855511, 967855512, 2019-08

AA LG 504
SILVER KIT

1

| | | | |
|--|------------------|---------------------------------------|---|
| 1 | 595389601 | Silver Kit LG 504 Hatz | |
| Ground Plate -Eccentric-Handling System LG 504 Hatz | | | |
| 2 | Eccentric System | Shock absorber repair kit | 1 |
| 3 | | Eccentric element repair kit | 1 |
| 4 | | Forward and reverse piston repair kit | 1 |
| 5 | | V-Belt Pulley | 1 |
| 6 | | Clutch | 1 |
| 7 | | Hydraulic Hose | 1 |
| 8 | | Hydraulic Hose | 1 |
| 9 | | Hydraulic Hose | 1 |
| 10 | | Hydraulic Hose | 1 |
| Engine | | | |
| 11 | Hatz Engine | Yearly Service Kit | 1 |

SILVER KIT LG 504, 967855501, 967855502, 967855503, 967855504, 967855505, 967855506, 967855507, 967855508, 967855509, 967855510, 967855511, 967855512, 2019-08

| Ref | Part No | Description | Remark | QTY KIT |
|-----|--------------|-------------|--------|---------|
| 1 | 595 38 96-01 | SERVICE KIT | | 1 |

AB LG 504
COSMETIC KIT

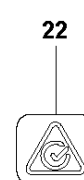
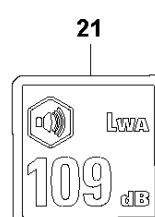
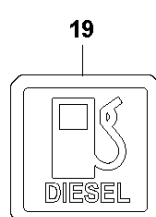
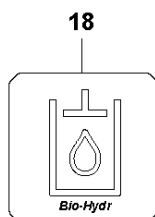
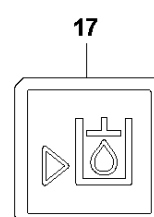
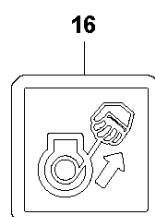
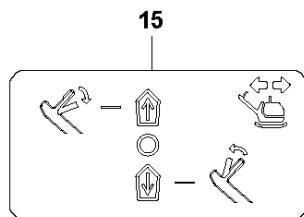
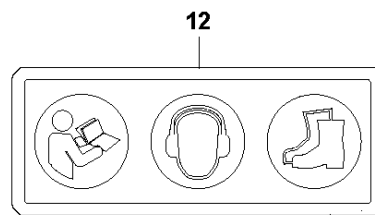
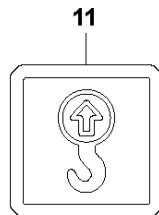
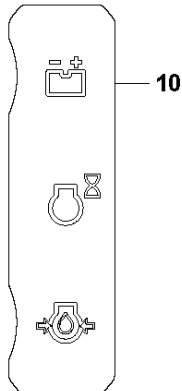
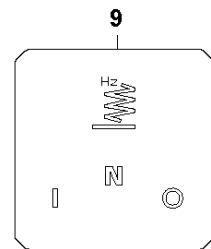
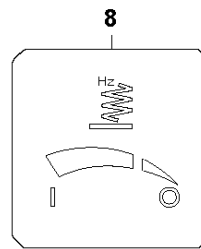
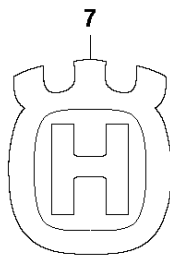
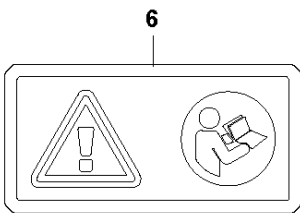
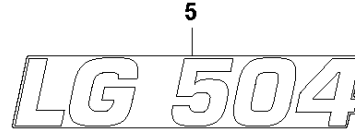
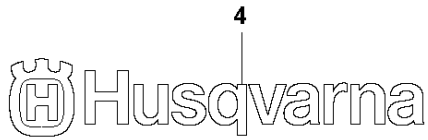
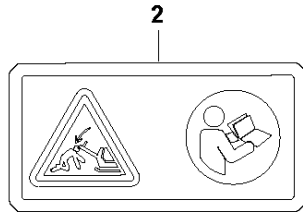
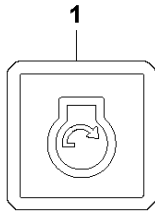
1

| 1 | 595133201 | Cosmetic Kit LG 504 Hatz | | |
|----|------------------|---------------------------------|---------------------------------------|---|
| 2 | Cover | Latch, complete | 2 | |
| 3 | | Hex socket screw | 8 | |
| 4 | | Front hood | 1 | |
| 5 | | Rear hood | 1 | |
| 6 | | Button head socket screw, M6x12 | 14 | |
| 7 | | Washer | 14 | |
| 8 | | Cover, complete | 1 | |
| 9 | V-be t Cover | V-be t Cover | 1 | |
| 10 | | Captive screw | 10 | |
| 11 | | Screw | 4 | |
| 12 | | Washer | 5 | |
| 13 | Protect'ion | Cover | 1 | |
| 14 | | Insulation | 1 | |
| 15 | | Insulating washer | 12 | |
| 16 | Heat Protect'ion | Heat protect'ion | 1 | |
| 17 | | Sound insulation | 1 | |
| 18 | | Sound insulation | 1 | |
| 19 | | Screw | 2 | |
| 20 | | Washer | 2 | |
| 21 | | Hex socket screw | 1 | |
| 22 | | Handle | 1 | |
| 23 | Handle | Screw | 1 | |
| 24 | | Rubber Cover | 1 | |
| 25 | | Lever | 1 | |
| 26 | | Housing | 1 | |
| 27 | | Measuring nipple | 1 | |
| 28 | | Screw | 2 | |
| 29 | | Washer | 2 | |
| 30 | | Pin | 1 | |
| 31 | | Labeling | Product Label Kit LG 504 Hatz Non EPA | 1 |

COSMETIC KIT LG 504, 967855501, 967855502, 967855503, 967855504, 967855505, 967855506, 967855507, 967855508, 967855509, 967855510, 967855511, 967855512, 2019-08

| Ref | Part No | Description | Remark | QTY KIT |
|-----|--------------|-------------|--------|---------|
| 1 | 595 13 32-01 | SERVICE KIT | | 1 |

AC LG 504
DECALS



DECALS LG 504, 967855501, 967855502, 967855503, 967855504, 967855505, 967855506, 967855507, 967855508, 967855509, 967855510, 967855511, 967855512, 2019-08

| Ref | Part No | Description | Remark | QTY KIT |
|-----|--------------|-------------|--------------------------|---------|
| 1 | 594 66 04-01 | LABEL | Engine start | 1 |
| 2 | 594 66 06-01 | LABEL | Handle lock | 1 |
| 3 | 594 66 08-01 | LABEL | Rotating parts | 1 |
| 5 | 595 09 56-01 | DECAL | LG 504 Model Code | 2 |
| 4 | 585 29 48-01 | DECAL | Husqvarna brand decal | 1 |
| 6 | 594 86 97-01 | LABEL | General warning | 1 |
| 7 | 576 97 34-01 | DECAL | Husqvarna crown | 1 |
| 8 | 594 66 05-01 | LABEL | Gas throttle | 1 |
| 9 | 594 66 10-01 | LABEL | Gas throttle CTD LG500 | 1 |
| 10 | 594 66 03-01 | LABEL | Battery, hour meter, oil | 1 |
| 11 | 594 66 09-01 | LABEL | Lifting point | 1 |
| 12 | 594 65 96-01 | LABEL | Protection | 1 |
| 15 | 594 66 07-01 | LABEL | Operator panel | 1 |
| 16 | 594 86 96-01 | LABEL | Engine start manually | 1 |
| 17 | 595 51 28-01 | LABEL | Hydraulic oil Level | 1 |
| 18 | 595 46 94-01 | DECAL | biodegradable hydr. oil | 1 |
| 19 | 594 66 16-01 | LABEL | Diesel | 1 |
| 21 | 595 51 32-01 | LABEL | Noise 109 DB | 1 |
| 22 | 596 28 02-01 | DECAL | Compliance RCM | 1 |