

QEP 5

Spare Parts List

Portable Generator

QEP 5 s/n ESF091000

Engine: Honda GX270



General information

This spare parts list applies to the following:

Part number	Description
1633103182	QEP 5
1633103184	QEP 5
1633103185	QEP 5

Use only authorized parts. Any damage or malfunction caused by the use of unauthorized parts is not covered by Warranty or Product Liability. Any unauthorized use or copying of the contents or any part thereof is prohibited. This applies in particular to trademarks, model denominations, part numbers, and drawings.

Instructions for use

This spare parts list contains no safety regulations and is merely intended to assist in the ordering of spare parts.

For information about operating, servicing, or repairing, the relevant Safety and operating instructions must be consulted at all costs.

Please observe the safety instructions listed in the relevant Safety and operating instructions

Contents

Mechanical

Frame QEP 51

Engine

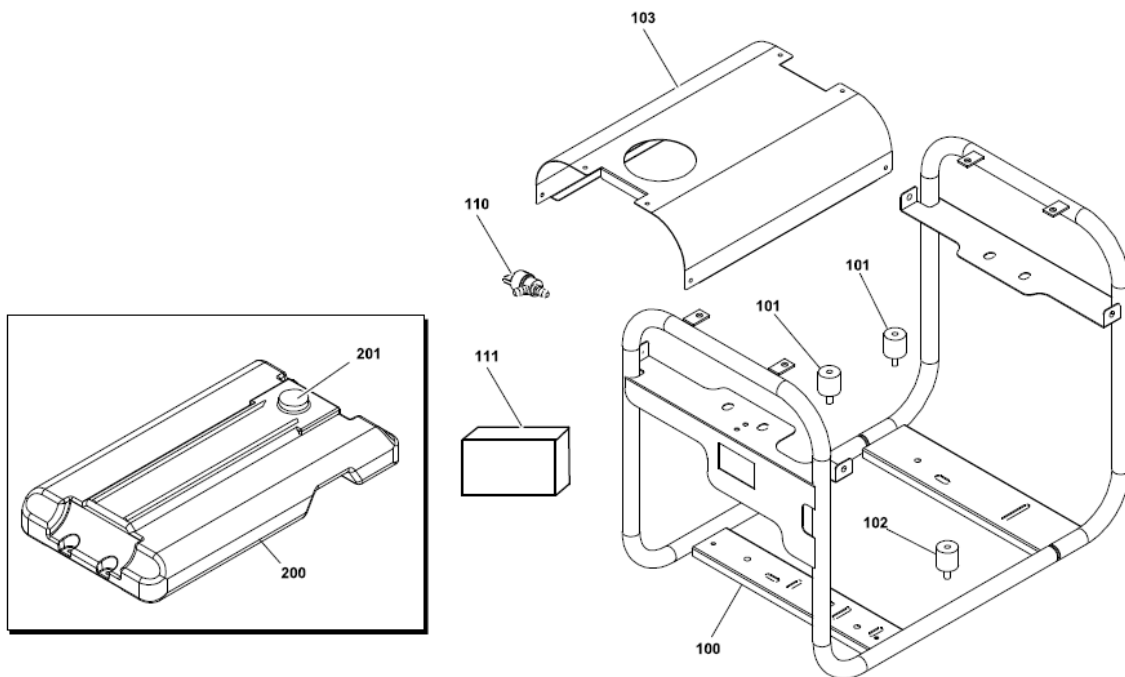
Engin QEP 5 3

Electrical system

Alternator QEP 5 1633103182 & 16331031855

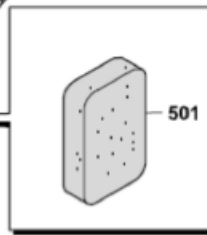
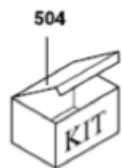
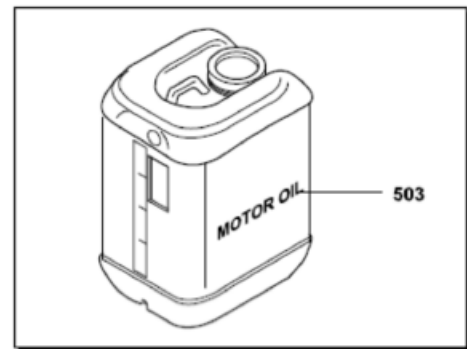
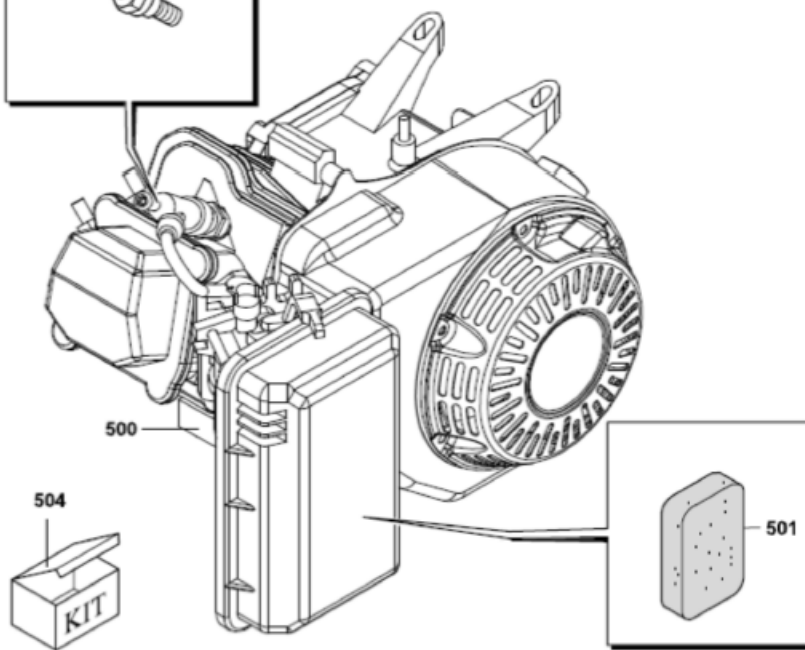
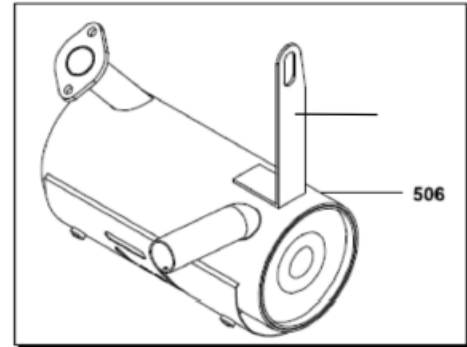
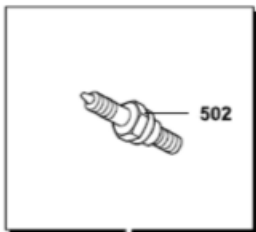
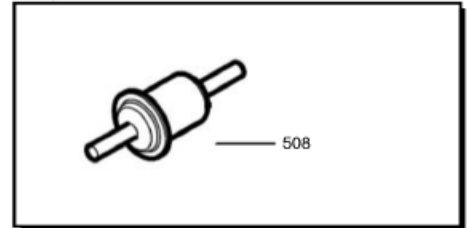
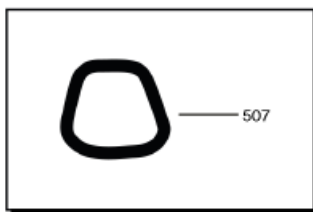
Alternator QEP 5 1633103184 (AVR+ELR)7

Mechanical Frame QEP 5



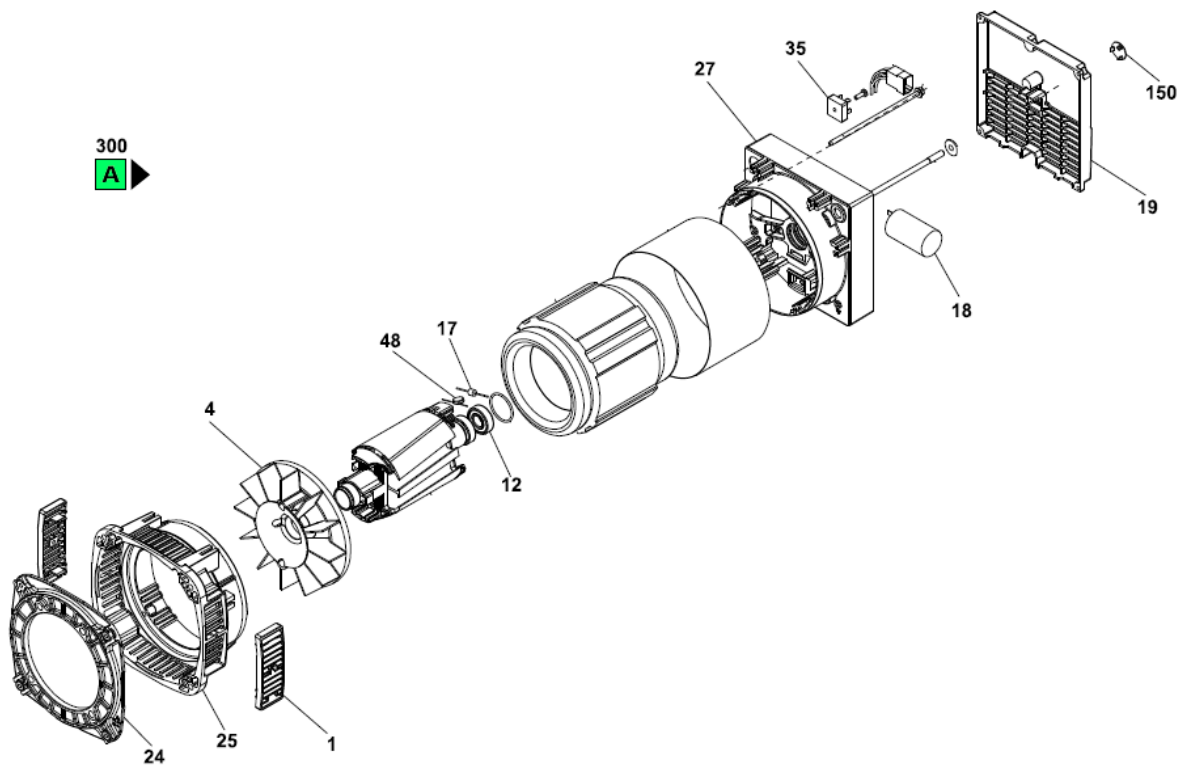
Item	Part No.	Name	Qty	L	SN INFO
100	1636301618	Frame	1		
101	1636301619	Cylinder silent block	2		
102	1636301620	Cylinder silent block	1		
103	1636301476	Roof	1		
110	1636301446	Gasoline loose plastic tap	1		
111	1636301595	Panel elcb(QEP 3 1633103174)	1		
200	1636301447	Petrol tank	1		
201	1636301448	Fuel cap	1		

Engine Engin QEP 5



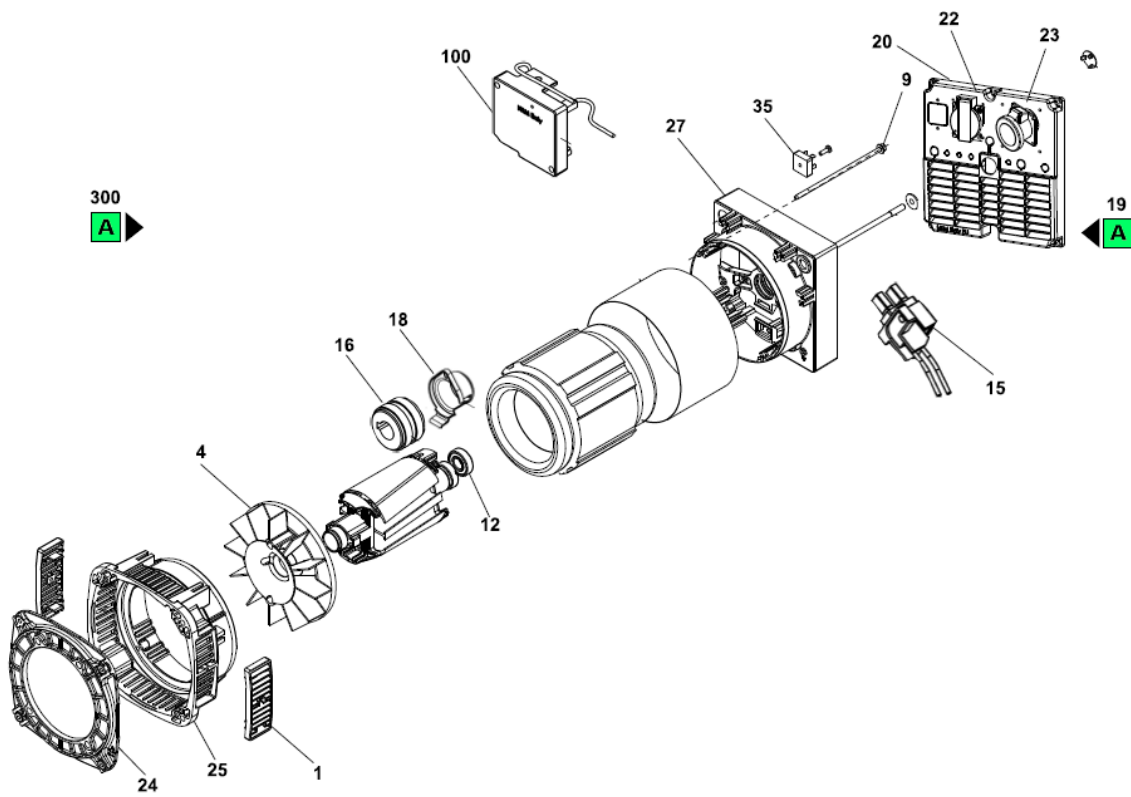
Item	Part No.	Name	Qty	L	SN INFO
500	1636301490	Engine	1		
501	1636301491	Air filter element	1		
502	1636301616	Spark plug	1		
503	1615595300	Paroil E oil 15/40 5l. -	1		
504	1636310427	Maintenance kit 300h gx270	1		
506	1636301493	Muffler	1		
507	1636301815	Rocker cover gasket gx270	1		
508	1636301807	Fuel filter	1		

Electrical system Alternator QEP 5 1633103182 & 1633103185



Item	Part No.	Name	Qty	L	SN INFO
1	1636301480	Alternator grill	1		
4	1636301481	Fan	1		
12	1636301482	Bearing	1		
17	1636301603	Battery charger diode	1		
18	1636301604	Capacitor	1		
19	1636301483	Alternator cover	1		
19b	1636301484	Alternator cover	1		
24	1636301485	Flange	1		
25	1636301486	Drive end bracket	1		
27	1636301487	No drive end bracket	1		
35	1636301611	Diode bridge	1		
48	1636301488	Varistor	1		
150	1636301613	Plastic plug	1		
300	1636301489	Alternator	1		

Electrical system Alternator QEP 5 1633103184 (AVR+ELR)



Item	Part No.	Name	Qty	L	SN INFO
4	1636301481	Fan	1		
12	1636301495	Bearing	1		
15	1636301496	Brush holder	1		
16	1636301497	Manifold	1		
18	1636301498	Manifold cover	1		
19	1636301499	Cover	1		
20	1636301500	Alternator cover	1		
22	1636301501	Socket	1		
23	1636301502	Panel mount socket	1		
24	1636301485	Flange	1		
25	1636301778	Cover	1		
27	1636301504	Cover	1		
35	1636301611	Diode bridge	1		
100	1636301505	Avr	1		
300	1636301494	Alternator	1		

Any unauthorized use or copying of the contents or any part thereof is prohibited.
This applies in particular to trademarks, model denominations, part numbers, and drawings.



www.atlascopco.com