

# QEP 8

---

## Spare Parts List

### Portable Generator

QEP 8 s/n ESF091000

Engine: Honda GX390



# General information

This spare parts list applies to the following:

Partnumber	Description
1633103194	QEP 8
1633103196	QEP 8
1633103197	QEP 8

Use only authorized parts. Any damage or malfunction caused by the use of unauthorized parts is not covered by Warranty or Product Liability.

Any unauthorized use or copying of the contents or any part thereof is prohibited. This applies in particular to trademarks, model denominations, part numbers, and drawings.

## Instructions for use

This spare parts list contains no safety regulations and is merely intended to assist in the ordering of spare parts.

For information about operating, servicing, or repairing, the relevant Safety and operating instructions must be consulted at all costs.

Please observe the safety instructions listed in the relevant Safety and operating instructions

Contents

**Mechanical**

Frame QEP 8 ..... 1

**Engine**

Engine QEP 8 ..... 3

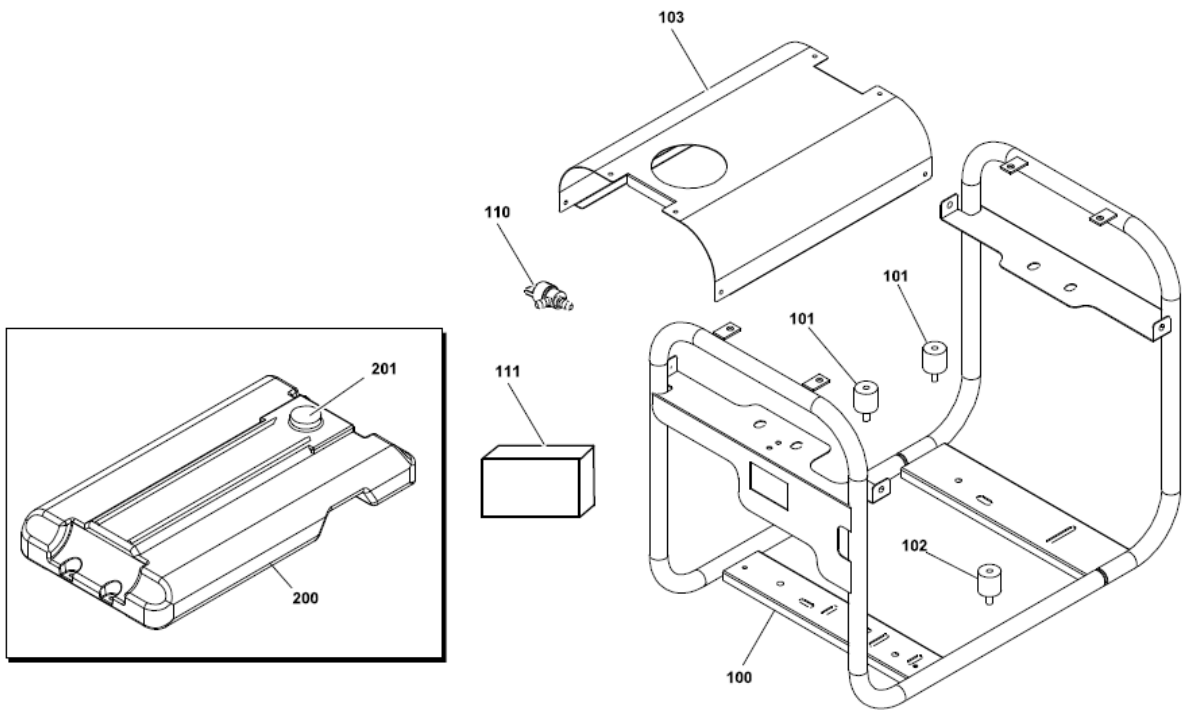
**Electrical system**

Alternator QEP 8 1633103194 & 1633103197 ..... 5

Alternator QEP 8 1633103196 (AVR+ELR) ..... 7

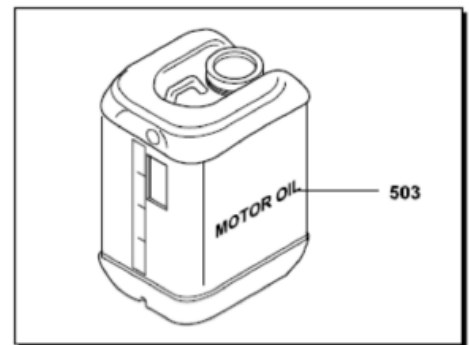
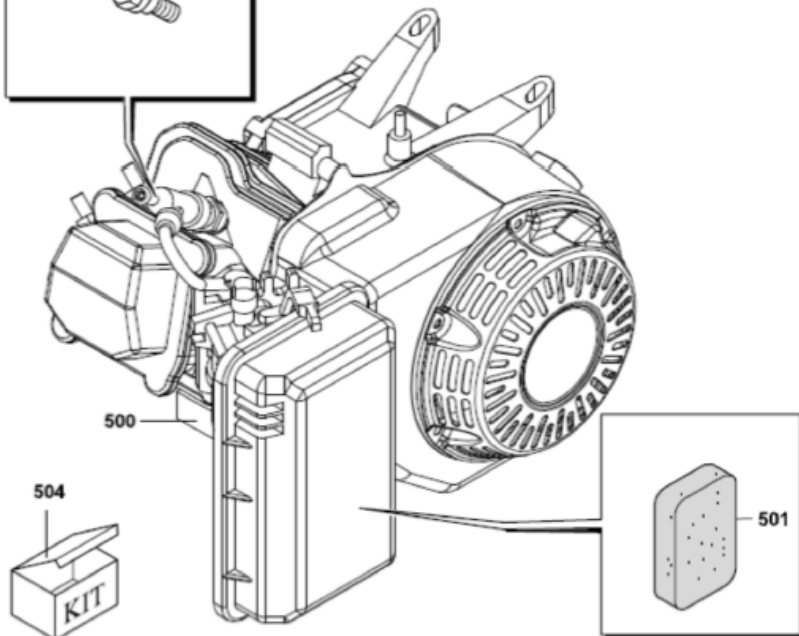
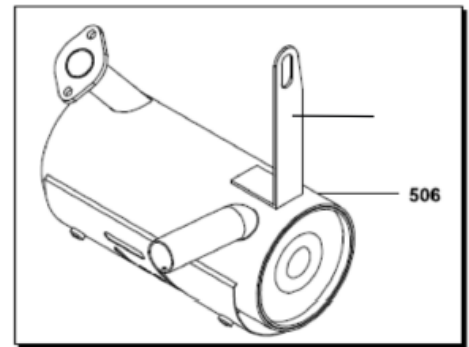
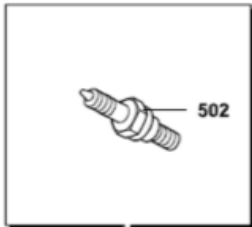
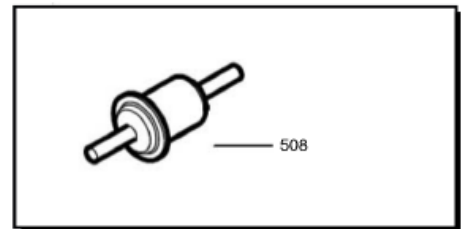
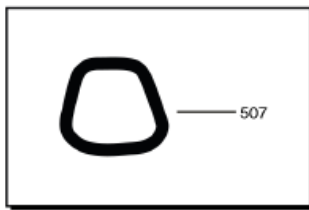


**Mechanical** Frame QEP 8



Item	Part No.	Name	Qty	L	SN INFO
100	1636301618	Frame	1		
101	1636301619	Cylinder silent block	2		
102	1636301506	Cylindric silent-block	1		
103	1636301476	Roof	1		
110	1636301446	Gasoline loose plastic tap	1		
111	1636301805	Earth leakage relay (only QEP 7 1633103215)	1		
200	1636301447	Petrol tank	1		
201	1636301448	Fuel cap	1		

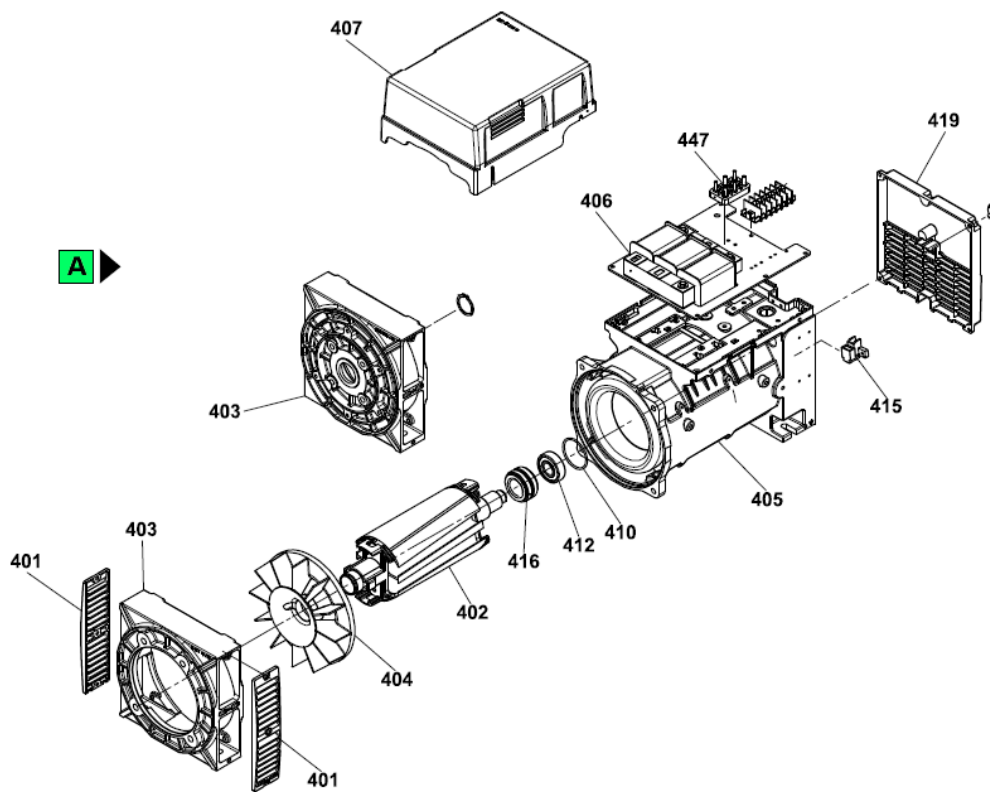
Engine Engine QEP 8



Item	Part No.	Name	Qty	L	SN INFO
500	1636301551	Engine			
501	1636301491	Air filter element	1		
502	1636301616	Spark plug	1		
503	1615595300	Paroil E oil 15/40 5l. -	1		
504	1636310409	Maintenance kit 300h gx390	1		
506	1636301548	Muffler	1		
507	1636301806	Rocker cover gasket gx390			
508	1636301807	Fuel filter			

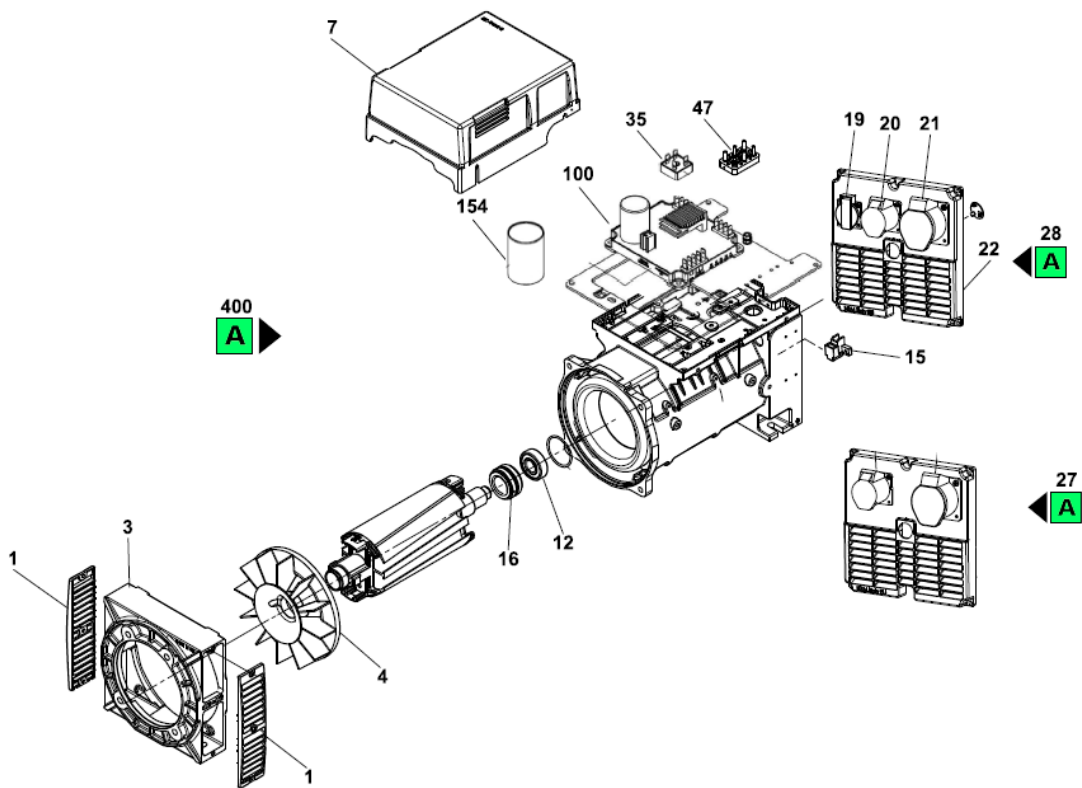


Electrical system Alternator QEP 8 1633103194 & 1633103197



Item	Part No.	Name	Qty	L	SN INFO
400	1636301507	Alternator	1		
401	1636301508	Protector	2		
402	1636301509	Rotor	1		
403	1636301510	Drive end bracket	2		
404	1636301481	Fan	1		
405	1636301511	Frame	1		
406	1636301512	Compound complete	1		
407	1636301513	Terminal box	1		
410	1636301514	Gasket	1		
412	1636301515	Bearing	1		
415	1636301516	Brush	1		
416	1636301517	Slip ring alternator	1		
419	1636301518	Cover	1		
447	1636301519	Terminal block	1		

Electrical system Alternator QEP 8 1633103196 (AVR+ELR)



Item	Part No.	Name	Qty	L	SN INFO
3	1636301510	Drive end bracket	1		
4	1636301481	Fan	1		
7	1636301552	Cover	1		
12	1636301553	Bearing	1		
15	1636301516	Brush	1		
16	1636301554	Manifold	1		
19	1636301450	Socket	1		
20	1636301555	Socket	1		
21	1636301556	Panel mount socket	1		
22	1636301557	Cover	1		
28	1636301558	Cover	1		
35	1636301611	Diode bridge	1		
47	1636301519	Terminal block	1		
100	1636301559	Voltage governor	1		
154	1636301560	Filter	1		
400	1636301561	Alternator	1		

Any unauthorized use or copying of the contents or any part thereof is prohibited.  
This applies in particular to trademarks, model denominations, part numbers, and drawings.



[www.atlascopco.com](http://www.atlascopco.com)