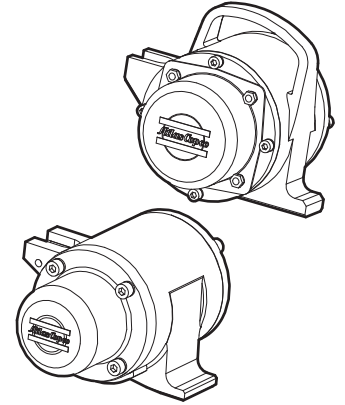


Spare parts list

Pneumatic concrete vibrators

	Valid from serial number
Pneumatic external vibrator EP121B	FRO016254
Pneumatic external vibrator EP271B	FRO016254
Pneumatic external vibrator EP371B	FRO016254
Pneumatic external vibrator EP601B	FRO016254



Contents

General information.....	5
Spare parts list.....	6
EP121B, EP271B.....	6
EP371B, EP601B.....	8

General information

This spare parts list applies to the following:

Part number	Description
4812 0509 86	Pneumatic external vibrator EP121B
4812 0509 87	Pneumatic external vibrator EP271B
4812 0509 88	Pneumatic external vibrator EP371B
4812 0509 89	Pneumatic external vibrator EP601B

Use only authorized parts. Any damage or malfunction caused by the use of unauthorized parts is not covered by Warranty or Product Liability. Any unauthorized use or copying of the contents or any part thereof is prohibited. This applies in particular to trademarks, model denominations, part numbers, and drawings.

Instructions for use

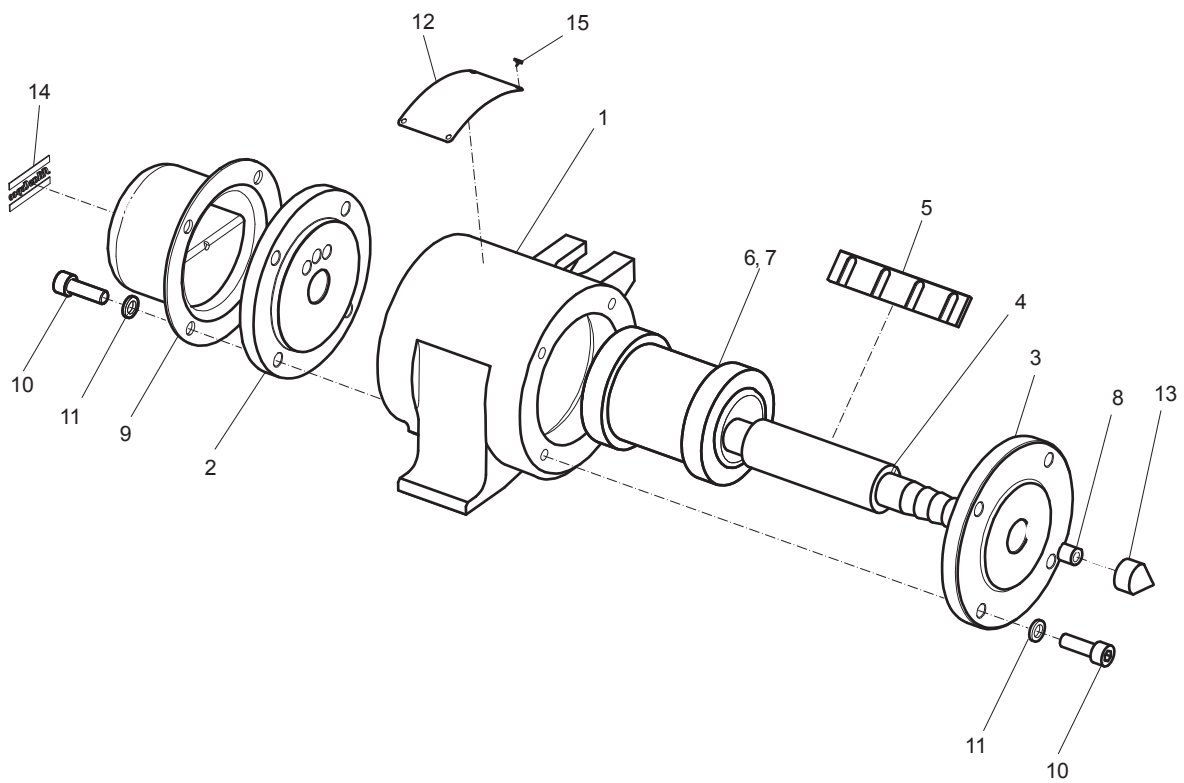
This spare parts list contains no safety regulations and is merely intended to assist in the ordering of spare parts.

For information about operating, servicing, or repairing, the relevant Safety and operating instructions must be consulted at all costs.

Please observe the safety instructions listed in the relevant Safety and operating instructions!

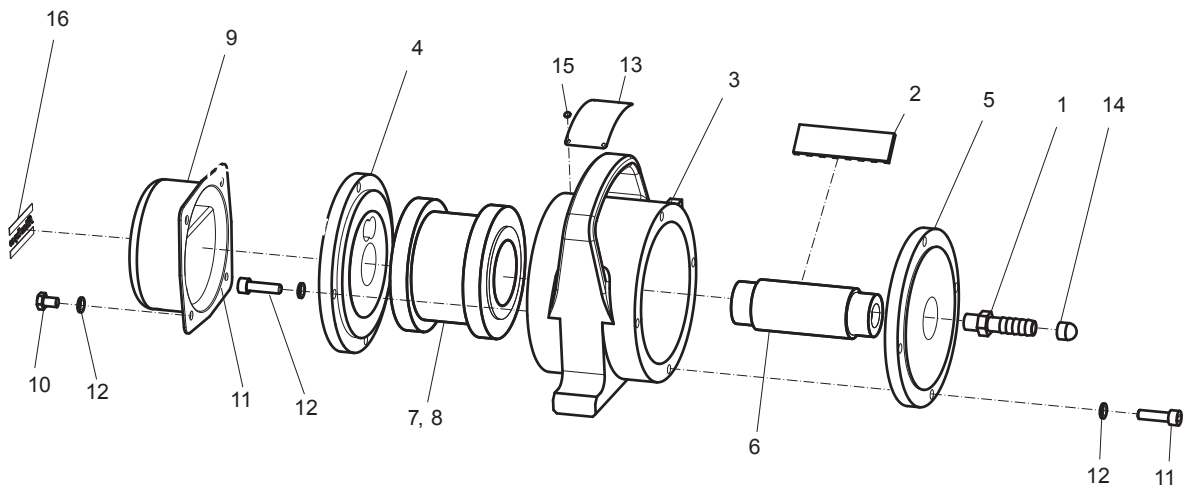
Spare parts list

EP121B, EP271B



No.	Description	Remark	Quantity	Part number
1	Casing		1	4700 1825 70
2	Front flange		1	4700 1825 71
3	Rear flange		1	4700 1825 72
4	Shaft		1	4700 1827 73
5	Lamella		1	4700 1825 75
6	Rotor	EP121B	1	4700 1825 85
7	Rotor	EP271B	1	4700 1825 74
8	Sleeve		1	4700 1832 33
9	Cover		1	4700 1839 82
10	Socket head cap screw	M8 x 25 mm 12.9 (DIN912)	8	4700 5080 19
11	Washer	W8 NFE 25-515	8	4700 6040 05
12	Dataplate		1	-
13	Plug		1	4700 1867 91
14	Label	"Atlas Copco"	1	4812 0511 61
15	Rivet		4	4700 1016 63

EP371B, EP601B



No.	Description	Remark	Quantity	Part number
1	Air nipple		1	4700 1076 90
2	Lamella		1	4700 1891 65
3	Casing		1	4700 1825 48
4	Front flange		1	4700 1825 49
5	Rear flange		1	4700 1825 50
6	Shaft		2	4700 1825 51
7	Rotor	EP371B	1	4700 1825 53
8	Rotor	EP601B	1	4700 1825 52
9	Cover		1	4700 1839 84
10	Hexagon head screw	M8 x 12 mm 8.8 (DIN933)	4	-
11	Socket head cap screw	CC M8 x 30 mm 12.9 (DIN912)	8	4700 5080 84
12	Washer	W8 NFE 25-515	12	4700 6040 05
13	Dataplate		1	-
14	Plug		1	4700 1867 92
15	Rivet		4	4700 1016 63
16	Label	"Atlas Copco"	1	4812 0510 93

Any unauthorized use or copying of the contents or any part thereof is prohibited.
This applies in particular to trademarks, model denominations, part numbers, and
drawings.

© 2012 Atlas Copco Construction Tools AB | No. 9800 1198 01 | 2012-02-14

Atlas Copco

www.atlascopco.com