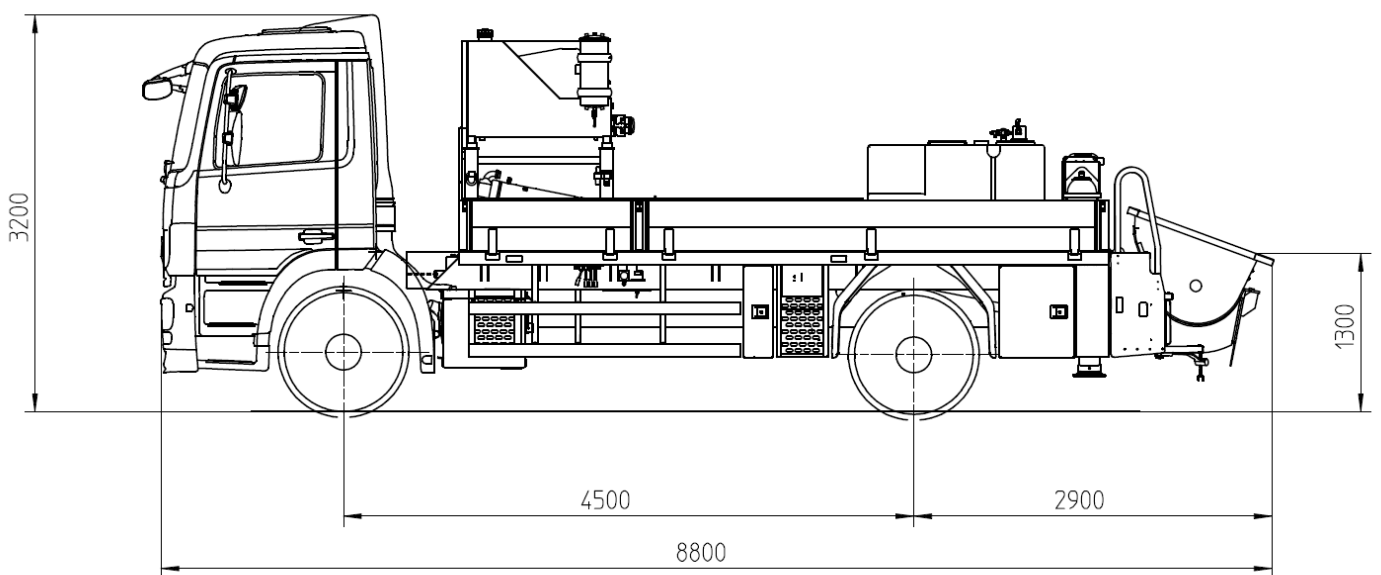


MOLI

BSF 2110 HP

Output up to 106 m³/h
 Delivery pressure up to 220 bar



Note: Standard version. Dimensions and weights depend on truck, pump model and equipment.
 Dimensions in mm. For illustration only.

Technical data

Pump		BSF .10 HP	
	Delivery Cylinder	Ø mm	200
	Stroke	mm	2100
	Pressure connection		6"
Rod side	Output	m ³ /h	106
	Delivery pressure	bar	150
	Strokes	1/min.	26
Piston side	Output	m ³ /h	69
	Delivery pressure	bar	220
	Strokes	1/min.	18

All data maximum theoretical.

Serial delivery scope

Agitator left/right through radio remote control	Rubber collar on hopper
Central lubrication strip hopper	SBU manual
Chassis horn via remote control on hopper	Side panel left foldable
Concrete hopper RS 905 HF with S2015 D	Side panel right foldable
Connections for hydraulic emergency supply	Splash guard fixed
C-pipe connection for filling water tank	Spray hose 10 m incl. bracket
Diagnose interface, central for electric and hydraulic	Support plates 2x with magazine
EGD (Ergonic Graphic Display	Tool box dep. on mounting, mounted separately
EPS (Ergonic Pump System)	Tool set incl. standard equipment
EOC (Ergonic Output Control)	Water tank 880 l
Engine speed remote adjustment	
Flushing water pump 160 l/min 25 bar	
Hand working search light 1piece	
Hose cock with 1/2" nozzle	
Operating manuals 2x cert. and spare part lists	
Painting: pump MB 1227 chrome yellow	
Pump on/off dependent on speed	
Radio remote control prop. with display and cable control	
Remote control CPC with 40m cable	

Kit MOLI

Central lubrication hopper, electrically
Gate valve connection for second gate valve
Hard metal wear parts kit
High pressure water pump 100 bar with dryrun protection
Pipe bracket on plate right 12x3m, fold panel with alu tray
Vibrator, electrical

See quotation for exact serial delivery scope.
Comprehensive range of options available on request.