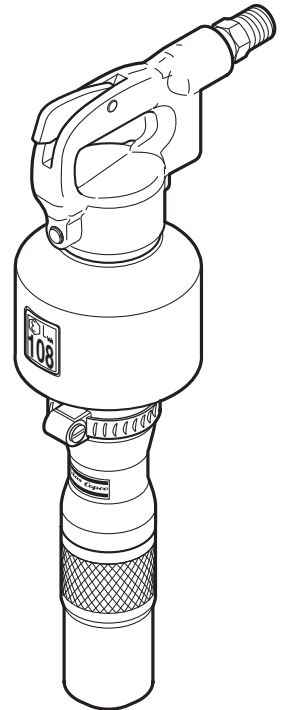


Spare parts list

Handheld pneumatic pick hammers

	Valid from serial number
TEX 09PS	005546
TEX 09PS KL	005546
TEX 09PS KL US	005546
TEX 09PS R	005546



Contents

General information	5
Spare parts list	6
TEX 09PS	6
TEX 09PSR	8
TEX 09PSKL	10
TEX 09PSKL US	12
Insertion tools	14
ISO standard hexagon 22 x 82.5 mm (7/8 x 3¼ in.)	14
Round 25 x 75 mm (1 x 3 in.)	14
US standard hexagon 7/8 x 3¼ in. (22 x 82.5 mm)	15
Round 1 x 3 in. (25 x 75 mm)	15
Accessories	16
Pre-mounted rubber hose with couplings	16
Water separator	16
Lubricator	16
Breaker and hammer AIR-OIL	16
Claw couplings	17
Kits	18
Repair kit	18

General information

This spare parts list applies to the following:

Description

Handheld pneumatic pick hammer TEX 09PS

Handheld pneumatic pick hammer TEX 09PS KL

Handheld pneumatic pick hammer TEX 09PS KL US

Handheld pneumatic pick hammer TEX 09PS R

Use only authorized parts. Any damage or malfunction caused by the use of unauthorized parts is not covered by Warranty or Product Liability. Any unauthorized use or copying of the contents or any part thereof is prohibited. This applies in particular to trademarks, model denominations, part numbers, and drawings.

Instructions for use

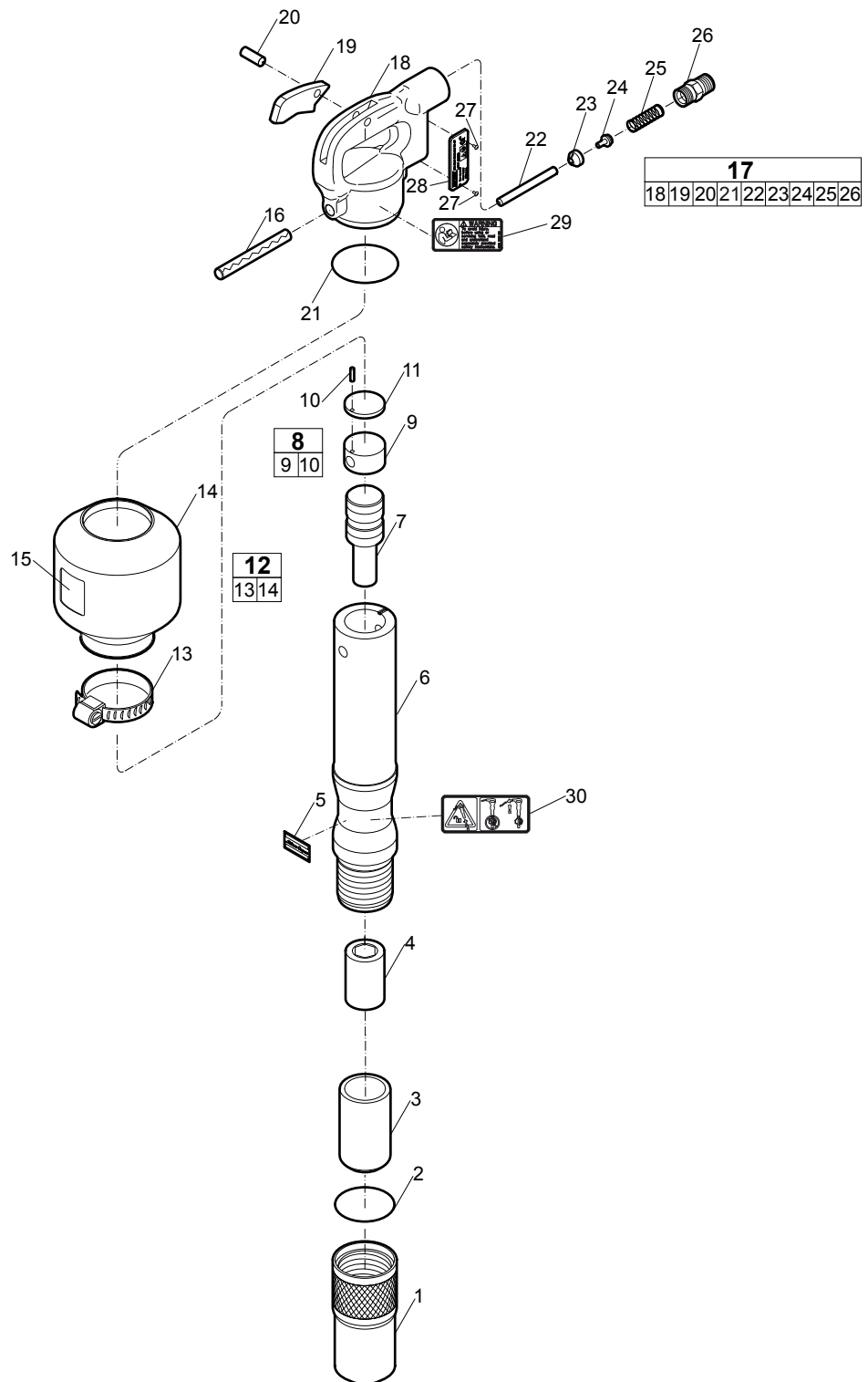
This spare parts list contains no safety regulations and is merely intended to assist in the ordering of spare parts.

For information about operating, servicing, or repairing, the relevant Safety and operating instructions must be consulted at all costs.

Please observe the safety instructions listed in the relevant Safety and operating instructions!

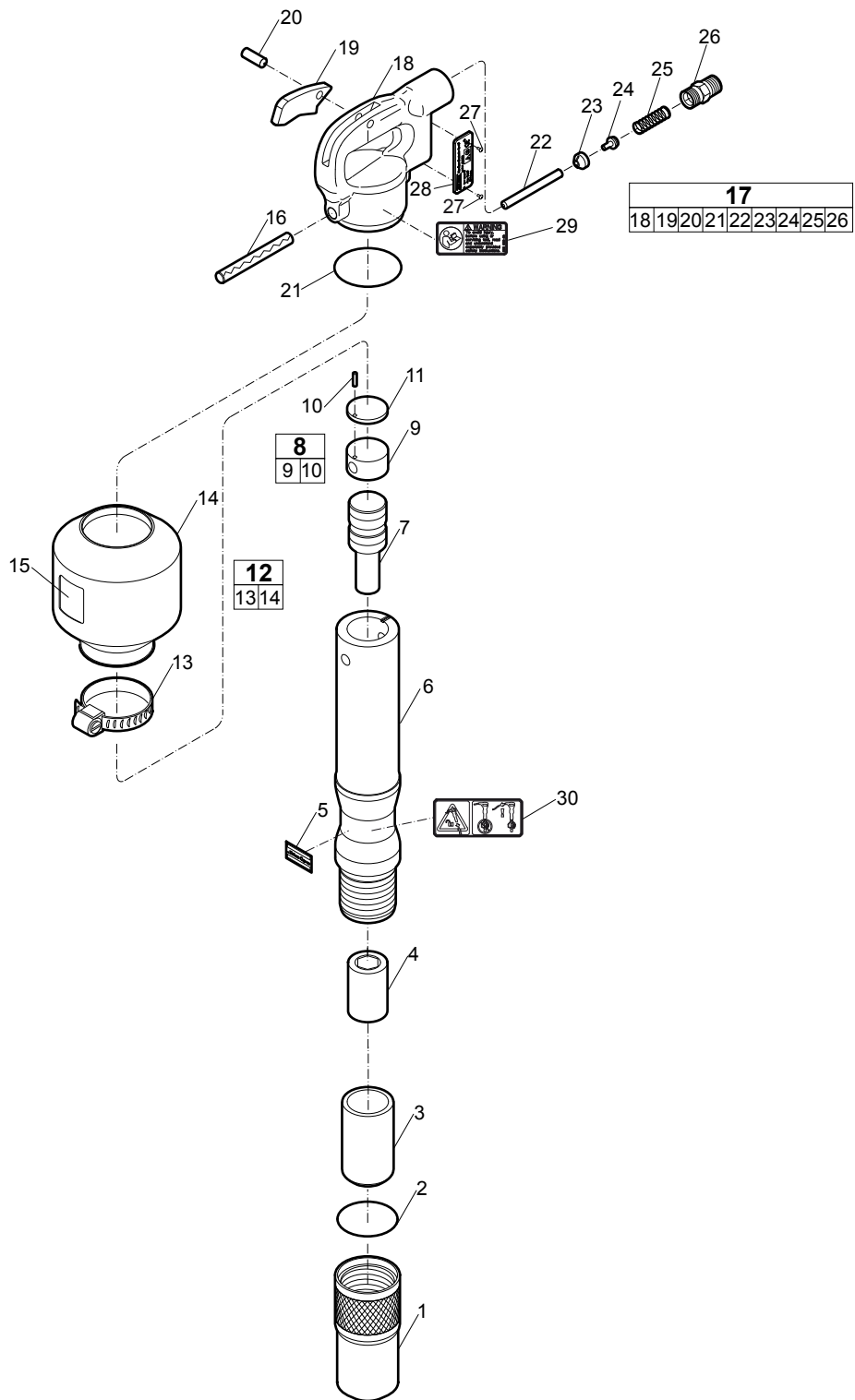
Spare parts list

TEX 09PS



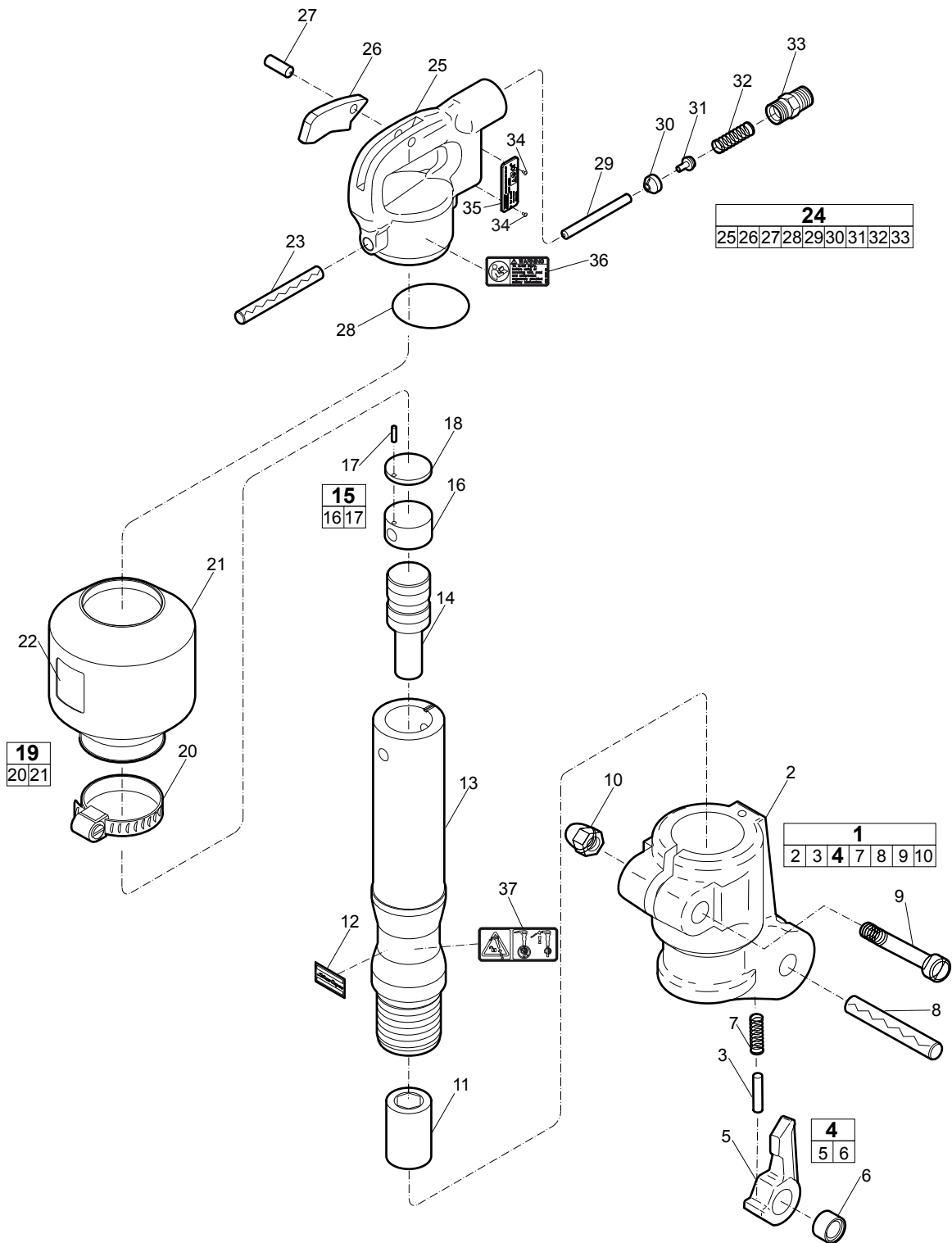
No.	Description	Remark	Quantity	Part number
1	Screw cap		1	3310 1137 00
2	O-ring	49.2 x 5.7 mm 1.94 x 0.22 in.	1	-
3	Buffer, red	Hexagonal 22 x 82.5 mm 7/8 x 3 1/4 in.	1	3310 0705 00
4	Chuck	Hexagonal 22 x 82.5 mm 7/8 x 3 1/4 in.	1	3310 1124 00
5	Label	"Atlas Copco"	1	0690 1101 02
6	Cylinder		1	3310 1125 00
7	Piston		1	3310 1126 00
8(9-10)	Cover, complete		1	3310 0810 80
9	Cover		1	-
10	Grooved pin	4 x 15 mm 0.16 x 0.59 in.	1	0106 0951 02
11	Main valve		1	3310 0811 00
12(13-14)	Silencer, complete		1	3310 1127 80
13	Hose clamp	60-75 mm 2.36-2.95 in.	1	0347 6114 00
14	Silencer		1	-
15	Sound power label		1	-
16	Spring pin	12 x 100 mm 0.47 x 3.94 in.	1	0108 1690 17
17(18-26)	Backhead, complete		1	3310 1128 80
18	Backhead housing		1	-
19	Trigger		1	3310 1129 00
20	Spring pin	8 x 24 mm 0.31 x 0.94 in.	1	0108 1355 00
21	O-ring		1	-
22	Pin	8 x 80 mm 0.31 x 3.15 in.	1	0102 0382 00
23	Inlet valve		1	-
24	Inlet valve rod		1	3310 1134 00
25	Spring		1	-
26	Nipple		1	3310 1131 00
27	Drive screw		2	0244 4144 00
28	Data plate		1	-
29	Safety label	Read instruction manual	1	3310 1602 00
30	Eject warning label		1	3310 1572 00

TEX 09PSR



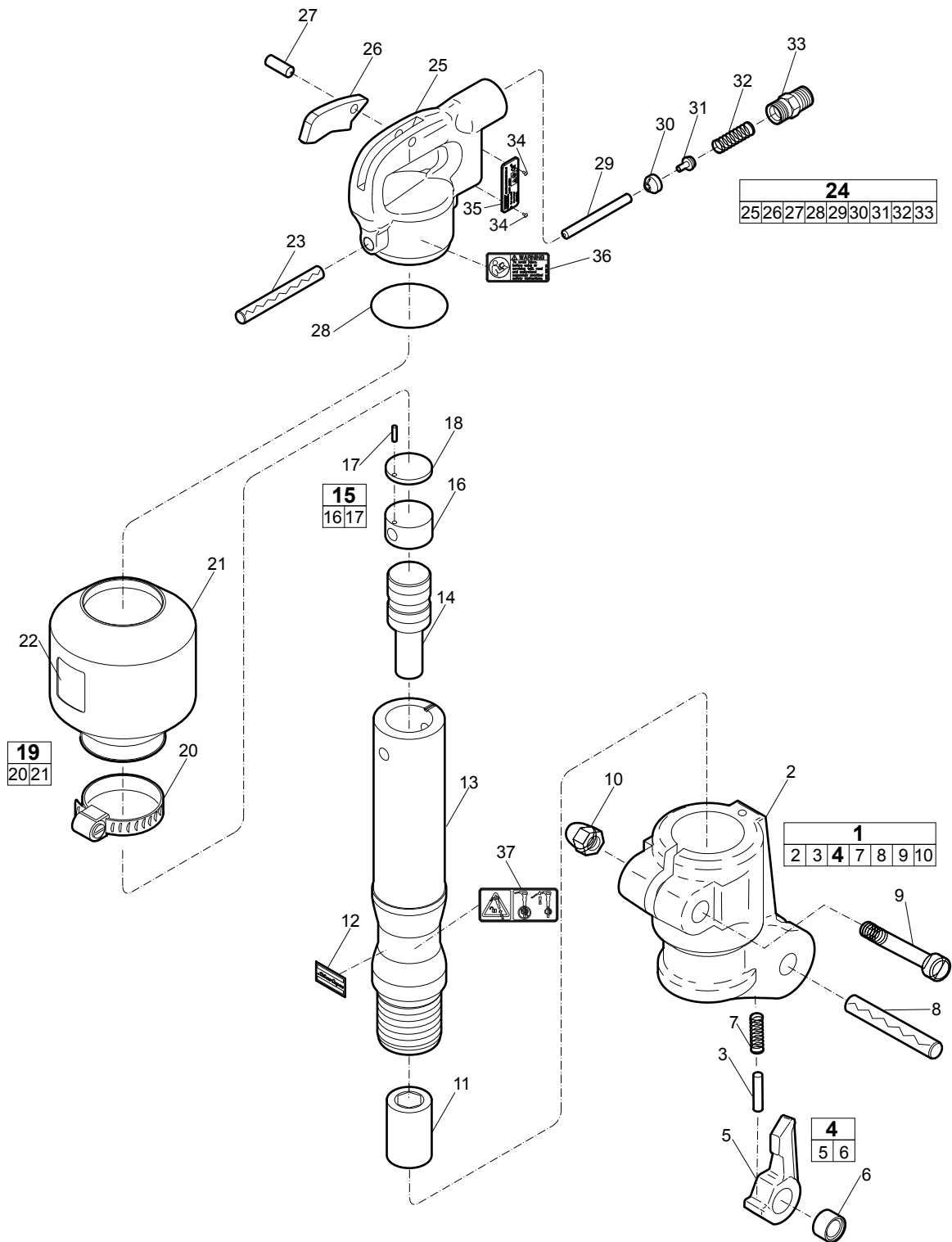
No.	Description	Remark	Quantity	Part number
1	Screw cap		1	3310 1137 00
2	O-ring	49.2 x 5.7 mm 1.94 x 0.22 in.	1	-
3	Buffer, yellow	Round 25 x 75 mm 1 x 3 in.	1	3310 0417 00
4	Chuck	Round 25 x 75 mm 1 x 3 in.	1	3310 1123 00
5	Label	"Atlas Copco"	1	0690 1101 02
6	Cylinder		1	3310 1125 00
7	Piston		1	3310 1126 00
8(9-10)	Cover, complete		1	3310 0810 80
9	Cover		1	-
10	Grooved pin	4 x 15 mm 0.16 x 0.59 in.	1	0106 0951 02
11	Main valve		1	3310 0811 00
12(13-14)	Silencer, complete		1	3310 1127 80
13	Hose clamp	60-75 mm 2.36-2.95 in.	1	0347 6114 00
14	Silencer		1	-
15	Sound power label		1	-
16	Spring pin	12 x 100 mm 0.47 x 3.94 in.	1	0108 1690 17
17(18-26)	Backhead, complete		1	3310 1128 80
18	Backhead housing		1	-
19	Trigger		1	3310 1129 00
20	Spring pin	8 x 24 mm 0.31 x 0.94 in.	1	0108 1355 00
21	O-ring		1	-
22	Pin	8 x 80 mm 0.31 x 3.15 in.	1	0102 0382 00
23	Inlet valve		1	-
24	Inlet valve rod		1	3310 1134 00
25	Spring		1	-
26	Nipple		1	3310 1131 00
27	Drive screw		2	0244 4144 00
28	Data plate		1	-
29	Safety label	Read instruction manual	1	3310 1602 00
30	Eject warning label		1	3310 1572 00

TEX 09PSKL



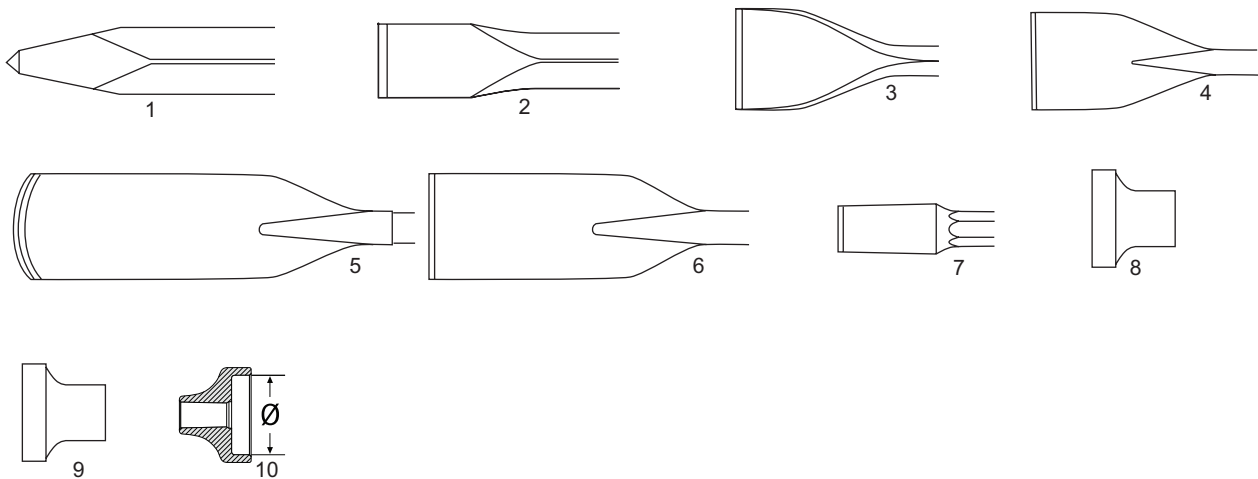
No.	Description	Remark	Quantity	Part number
1(2-3,4,7-10)	Fronthead, complete		1	3310 0887 80
2	Fronthead housing		1	-
3	Plunger		1	3310 0893 00
4(5-6)	Retainer set		1	3310 0890 80
5	Retainer		1	-
6	Bushing		1	3310 0891 00
7	Spring		1	3310 0894 00
8	Connex pin	16 x 50 mm 0.63 x 1.97 in.	1	0108 1691 05
9	Bolt		1	3310 0384 00
10	Nut		1	3310 0312 00
11	Chuck	Hexagonal 22 x 82.5 mm 7/8 x 3 1/4 in.	1	3310 1124 00
12	Label	"Atlas Copco"	1	0690 1101 02
13	Cylinder		1	3310 1125 00
14	Piston		1	3310 1126 00
15(16-17)	Cover, complete		1	3310 0810 80
16	Cover		1	-
17	Grooved pin	4 x 15 mm 0.16 x 0.59 in.	1	0106 0951 02
18	Main valve		1	3310 0811 00
19(20-21)	Silencer, complete		1	3310 1127 80
20	Hose clamp	60-75 mm 2.36-2.95 in.	1	0347 6114 00
21	Silencer		1	-
22	Sound power label		1	-
23	Spring pin	12 x 100 mm 0.47 x 3.94 in.	1	0108 1690 17
24(25-33)	Backhead, complete		1	3310 1128 80
25	Backhead housing		1	-
26	Trigger		1	3310 1129 00
27	Spring pin	8 x 24 mm 0.31 x 0.94 in.	1	0108 1355 00
28	O-ring		1	-
29	Pin	8 x 80 mm 0.31 x 3.15 in.	1	0102 0382 00
30	Inlet valve		1	-
31	Inlet valve rod		1	3310 1134 00
32	Spring		1	-
33	Nipple		1	3310 1131 00
34	Drive screw		2	0244 4144 00
35	Data plate		1	-
36	Safety label	Read instruction manual	1	3310 1602 00
37	Eject warning label		1	3310 1572 00

TEX 09PSKL US

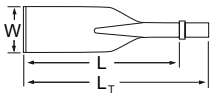


No.	Description	Remark	Quantity	Part number
1(2-3,4,7-10)	Fronthead, complete		1	3310 0887 80
2	Fronthead housing		1	-
3	Plunger		1	3310 0893 00
4(5-6)	Retainer set		1	3310 0890 80
5	Retainer		1	-
6	Bushing		1	3310 0891 00
7	Spring		1	3310 0894 00
8	Connex pin	16 x 50 mm 0.63 x 1.97 in.	1	0108 1691 05
9	Bolt		1	3310 0384 00
10	Nut		1	3310 0312 00
11	Chuck	Hexagonal 22 x 82.5 mm 7/8 x 3 1/4 in.	1	3310 1124 00
12	Label	"Atlas Copco"	1	0690 1101 02
13	Cylinder		1	3310 1125 00
14	Piston		1	3310 1126 00
15(16-17)	Cover, complete		1	3310 0810 80
16	Cover		1	-
17	Grooved pin	4 x 15 mm 0.16 x 0.59 in.	1	0106 0951 02
18	Main valve		1	3310 0811 00
19(20-21)	Silencer, complete		1	3310 1127 80
20	Hose clamp	60-75 mm 2.36-2.95 in.	1	0347 6114 00
21	Silencer		1	-
22	Sound power label		1	-
23	Spring pin	12 x 100 mm 0.47 x 3.94 in.	1	0108 1690 17
24(25-33)	Backhead, complete		1	3310 1128 81
25	Backhead housing		1	-
26	Trigger		1	3310 1129 00
27	Spring pin	8 x 24 mm 0.31 x 0.94 in.	1	0108 1355 00
28	O-ring		1	-
29	Pin	8 x 80 mm 0.31 x 3.15 in.	1	0102 0382 00
30	Inlet valve		1	-
31	Inlet valve rod		1	3310 1134 00
32	Spring		1	-
33	Nipple		1	3310 1131 01
34	Drive screw		2	0244 4144 00
35	Data plate		1	-
36	Safety label	Read instruction manual	1	3310 1602 00
37	Eject warning label		1	3310 1572 00

Insertion tools



ISO standard hexagon 22 x 82.5 mm (7/8 x 3 1/4 in.)

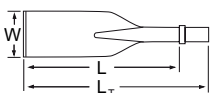


Point to flat



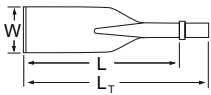
No.	Description	W (mm)	L (mm)	L _T (mm)	Wt (kg)	Part number
1	Moil point	-	380	475	1.6	3083 3242 00
		-	1000	1095	3.6	3083 3243 00
2	Narrow chisel	-	380	475	1.6	3083 3244 00
		-	1000	1095	3.6	3083 3245 00
3	Wide chisel	75	380	475	2.2	3083 3246 00
4	Asphalt cutter	125	380	475	3.0	3083 3069 00
5	Digging chisel	75	450	545	3.3	3083 3247 00
6	Digging spade	120	400	495	3.8	3083 3248 00
7	Shaft for tamping pad	-	310	405	1.7	3083 3251 00
8	Tamping pad, round	Ø175	-	-	7.6	3083 3252 10
9	Tamping pad, square	175	-	-	6.1	3083 3239 00
10	Driver pad, round	Ø65	-	-	1.9	3317 8060 12
		Ø100	-	-	2.6	9245 2817 90

Round 25 x 75 mm (1 x 3 in.)



No.	Description	W (mm)	L (mm)	L _T (mm)	Part number
1	Moil point	-	330	415	3083 3265 00
		-	450	535	3083 3265 10
2	Narrow chisel	-	330	415	3083 3266 00
		-	450	535	3083 3266 10

US standard hexagon 7/8 x 3 1/4 in. (22 x 82.5 mm)

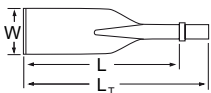


Flat to flat



No.	Description	W (in.)	L (in.)	L _T (in.)	Wt (lb)	Part number
1	Moil point	-	14	18	3.3	3083 4050 00
		-	18	21	4.0	3083 4050 10
		-	24	28	5.1	3083 4050 20
		-	36	40	7.3	3083 4050 30
2	Narrow chisel	-	14	18	3.5	3083 3303 00
		-	24	28	5.1	3083 3304 00
		-	18	21	4.0	3083 4051 10
		-	36	40	7.3	3083 4051 30
3	Wide chisel	3	14	18	4.6	3083 3305 00
		3	18	21	4.4	3083 4052 10
		3	24	28	5.5	3083 4052 20
		3	36	40	7.7	3083 4052 30
4	Asphalt cutter	5	12	16	6.2	3083 4053 00
5	Digging chisel	3	14	18	7.1	3083 3306 00
6	Digging spade	5	13	17	8.6	3083 3307 00
9	Shaft for tamping pad	-	8	12	2.9	3083 4058 00
		7	-	-	13.4	3083 3239 00
8	Tamping pad, round	Ø7	-	-	16.8	3083 3252 10
9	Tamping pad, square	7	-	-	13.4	3083 3239 00
10	Driver pad, round	Ø4	-	-	5.7	9245 2817 90
		Ø3	-	-	4.2	3371 8060 12

Round 1 x 3 in. (25 x 75 mm)



No.	Description	W (in.)	L (in.)	L _T (in.)	Part number
1	Moil point	-	13.0	16.3	3083 3265 00
		-	18.0	21.0	3083 3265 10
2	Narrow chisel	-	13.0	16.3	3083 3266 00
		-	18.0	21.0	3083 3266 10

Accessories

Pre-mounted rubber hose with couplings

Description	Remark	Quantity	Part number
Rubber hose, pre-mounted with European type claw coupling, 3 m (10 feet) (1 x claw coupling + 1 x hose nipple with cup nut, G $\frac{3}{4}$ in.)	Ø12.5 mm Ø $\frac{1}{2}$ in.	1	9030 2044 00

Water separator

Description	Remark	Quantity	Part number
Water separator VAM 01, European type claw couplings	Airflow < 50 l/s Airflow < 106 ft ³ /min	1	8092 0110 58
Water separator VAM 01, US type claw couplings	Airflow < 50 l/s Airflow < 106 ft ³ /min	1	8092 0110 59
Water separator VAM 5A, European type claw couplings	Airflow < 120 l/s Airflow < 254 ft ³ /min	1	8092 0110 82
Water separator VAM 5A, US type claw couplings	Airflow < 120 l/s Airflow < 254 ft ³ /min	1	8092 0110 83

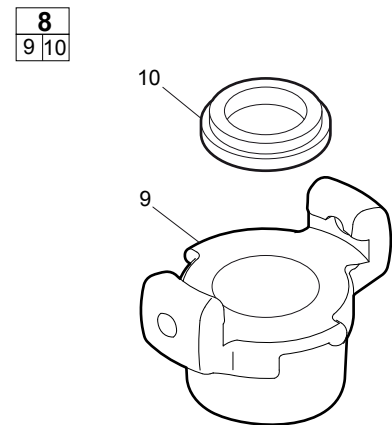
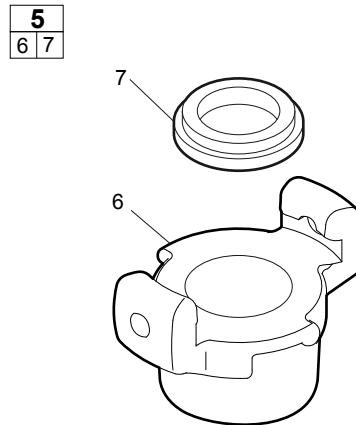
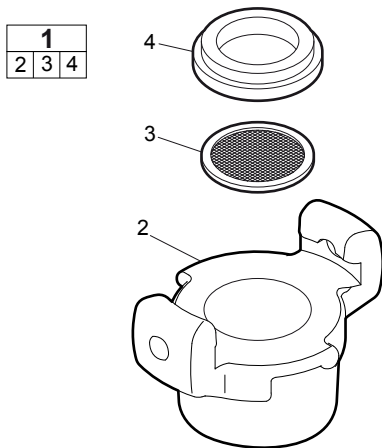
Lubricator

Description	Remark	Quantity	Part number
Lubricator CLG 30, European type claw couplings	For mineral and synthetic oil	1	8202 5102 39
Lubricator CLG 30, US type claw couplings	For mineral and synthetic oil	1	8202 5102 40

Breaker and hammer AIR-OIL

Description	Remark	Quantity	Part number
Breaker and hammer AIR-OIL	0.25 l 0.06 US gallon	1	8099 0202 40
Breaker and hammer AIR-OIL	1 l 0.26 US gallon	1	8099 0202 36
Breaker and hammer AIR-OIL (pack)	1 l 0.26 US gallon	20	8099 0202 81
Breaker and hammer AIR-OIL	5 l 1.32 US gallon	1	8099 0202 02
Breaker and hammer AIR-OIL (pack)	5 l 1.32 US gallon	4	8099 0202 85

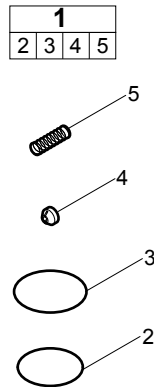
Claw couplings



No.	Description	Remark	Quantity	Part number
1(2-4)	Claw coupling with strainer, complete		1	9000 0306 01
2	Claw coupling	Standard G $\frac{3}{4}$ in.	1	-
3	Strainer		1	9000 0000 10
4	Seal		1	9000 0000 00
5(6-7)	Claw coupling, complete		1	9000 0306 00
6	Claw coupling	Standard G $\frac{3}{4}$ in.	1	-
7	Seal		1	9000 0000 00
8(9-10)	Claw coupling, complete		1	9001 0005 06
9	Claw coupling	US-universal $\frac{3}{4}$ in.	1	-
10	Seal		1	9001 0005 15

Kits

Repair kit



No.	Description	Remark	Quantity	Part number
1(2-5)	Repair kit		1	3310 1207 90
2	O-ring	ø49.2x5.7 mm	1	-
3	O-ring		1	-
4	Inlet valve		1	-
5	Spring		1	-



Any unauthorized use or copying of the contents or any part thereof is prohibited.
This applies in particular to trademarks, model denominations, part numbers, and
drawings.

© 2011 Atlas Copco Construction Tools AB | No. 9800 0845 01b | 2011-04-05

www.atlascopco.com