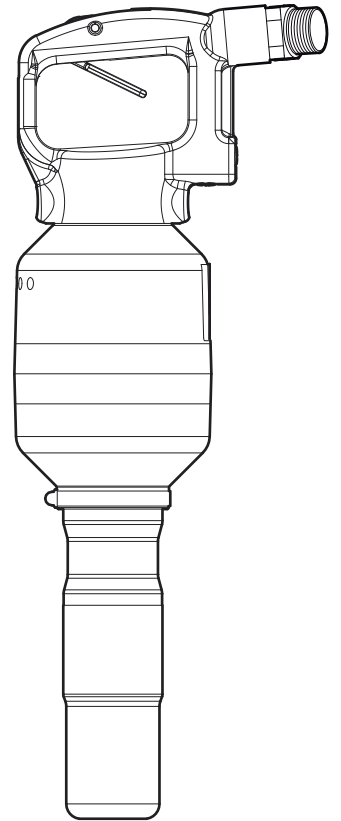


Spare parts list

Handheld pneumatic pick hammers

	Valid from serial number
TEX 12PS	004651
TEX 12PS KL	004651
TEX 12PS KL US	004651
TEX 12PS R	004651
TEX 12PS R KL	004651



Contents

General information	5
Spare parts list	6
TEX 12PS	6
TEX 12PSR	8
TEX 12PSKL	10
TEX 12PSRKL	12
TEX 12PSKL US	14
Insertion tools	16
ISO standard hexagon 22 x 82.5 mm (7/8 x 3¼ in.)	16
Round 25 x 75 mm (1 x 3 in.)	17
US standard hexagon 7/8 x 3¼ in. (22 x 82.5 mm)	17
Round 1 x 3 in. (25 x 75 mm)	18
Accessories	19
Pre-mounted rubber hose with couplings	19
Water separator	19
Lubricator	19
Breaker and hammer AIR-OIL	19
Claw couplings	20

General information

This spare parts list applies to the following:

Description

Handheld pneumatic pick hammer TEX 12PS

Handheld pneumatic pick hammer TEX 12PS KL

Handheld pneumatic pick hammer TEX 12PS KL US

Handheld pneumatic pick hammer TEX 12PS R

Handheld pneumatic pick hammer TEX 12PS R KL

Use only authorized parts. Any damage or malfunction caused by the use of unauthorized parts is not covered by Warranty or Product Liability.

Any unauthorized use or copying of the contents or any part thereof is prohibited. This applies in particular to trademarks, model denominations, part numbers, and drawings.

Instructions for use

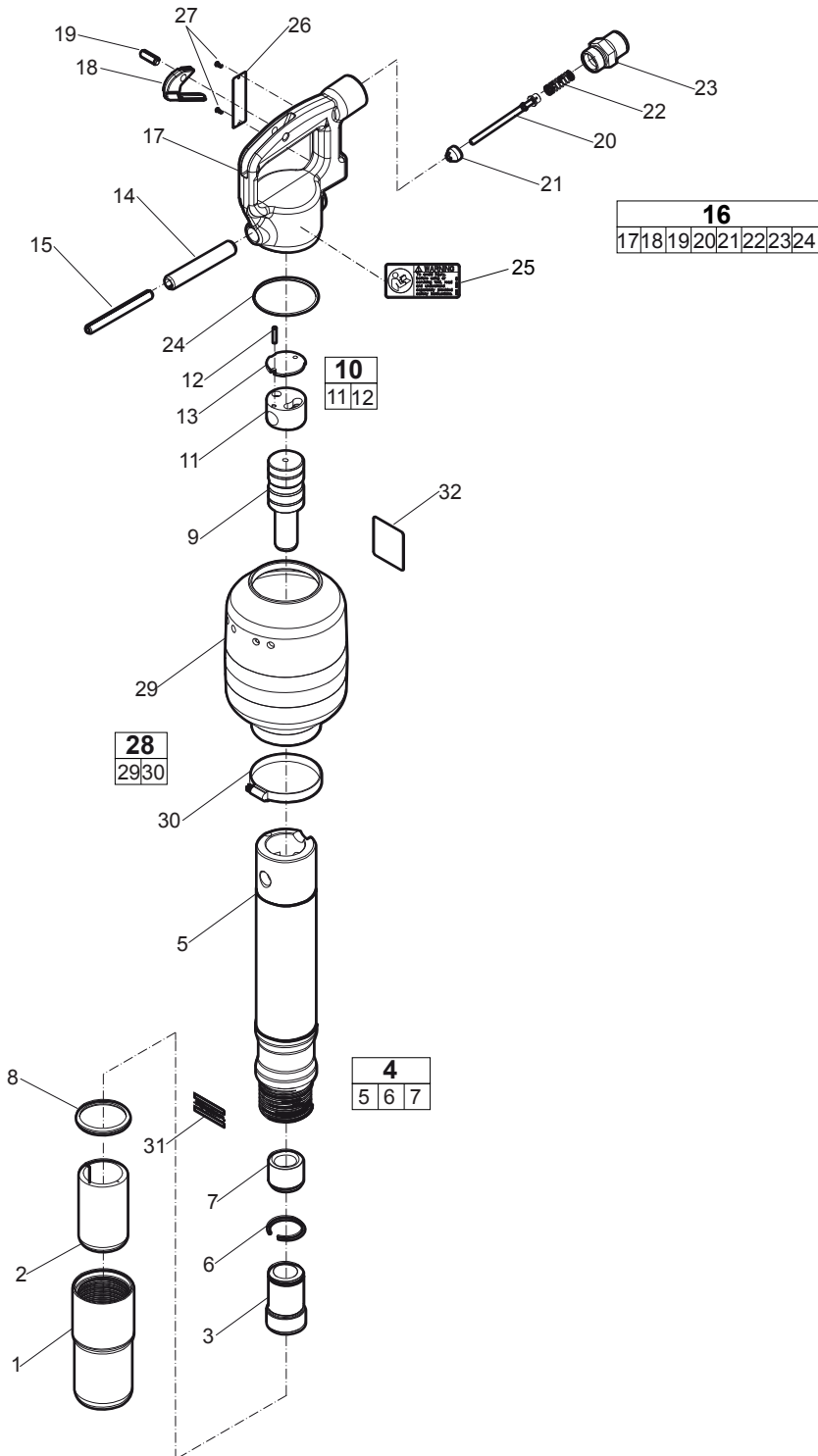
This spare parts list contains no safety regulations and is merely intended to assist in the ordering of spare parts.

For information about operating, servicing, or repairing, the relevant Safety and operating instructions must be consulted at all costs.

Please observe the safety instructions listed in the relevant Safety and operating instructions!

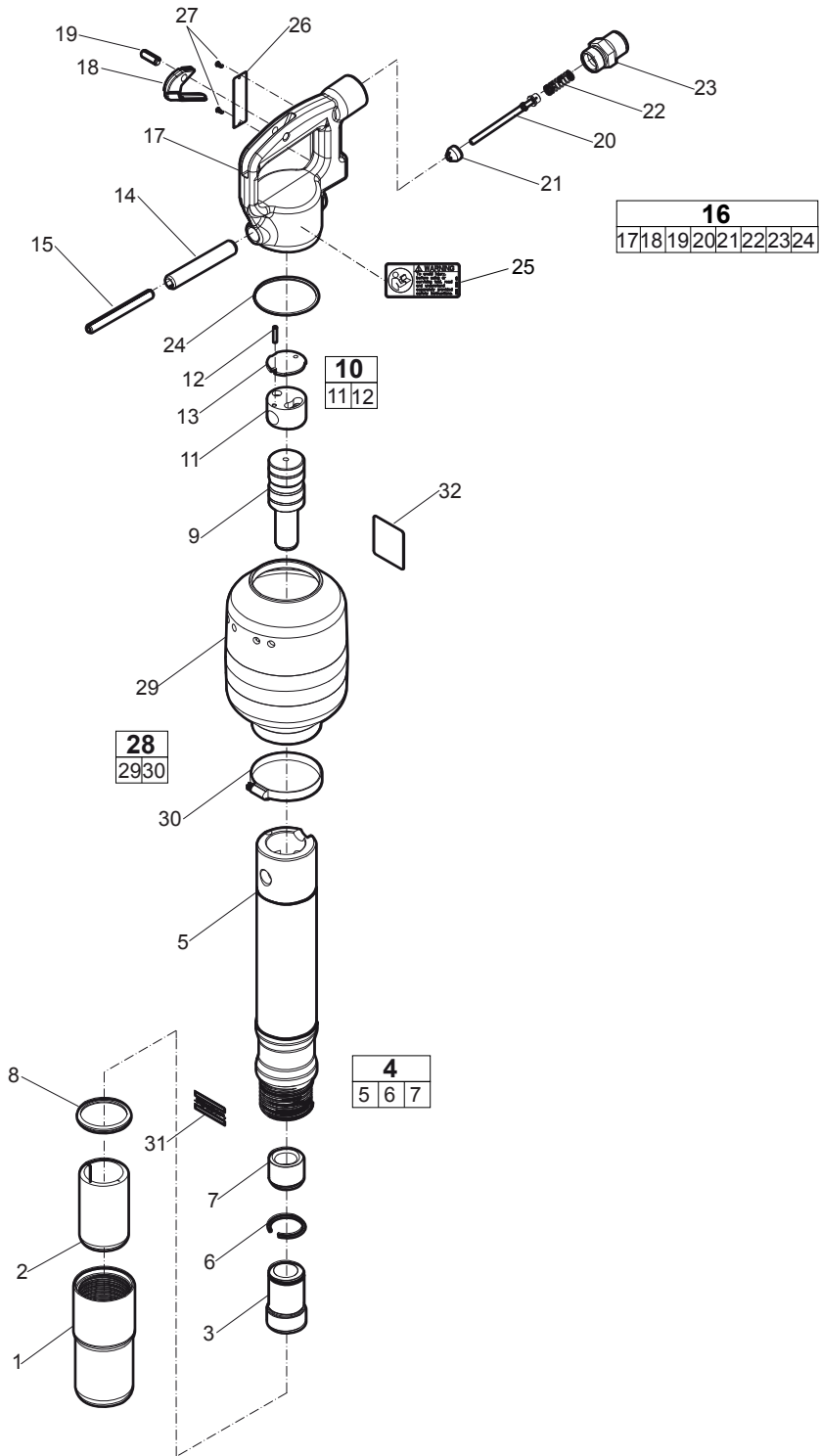
Spare parts list

TEX 12PS



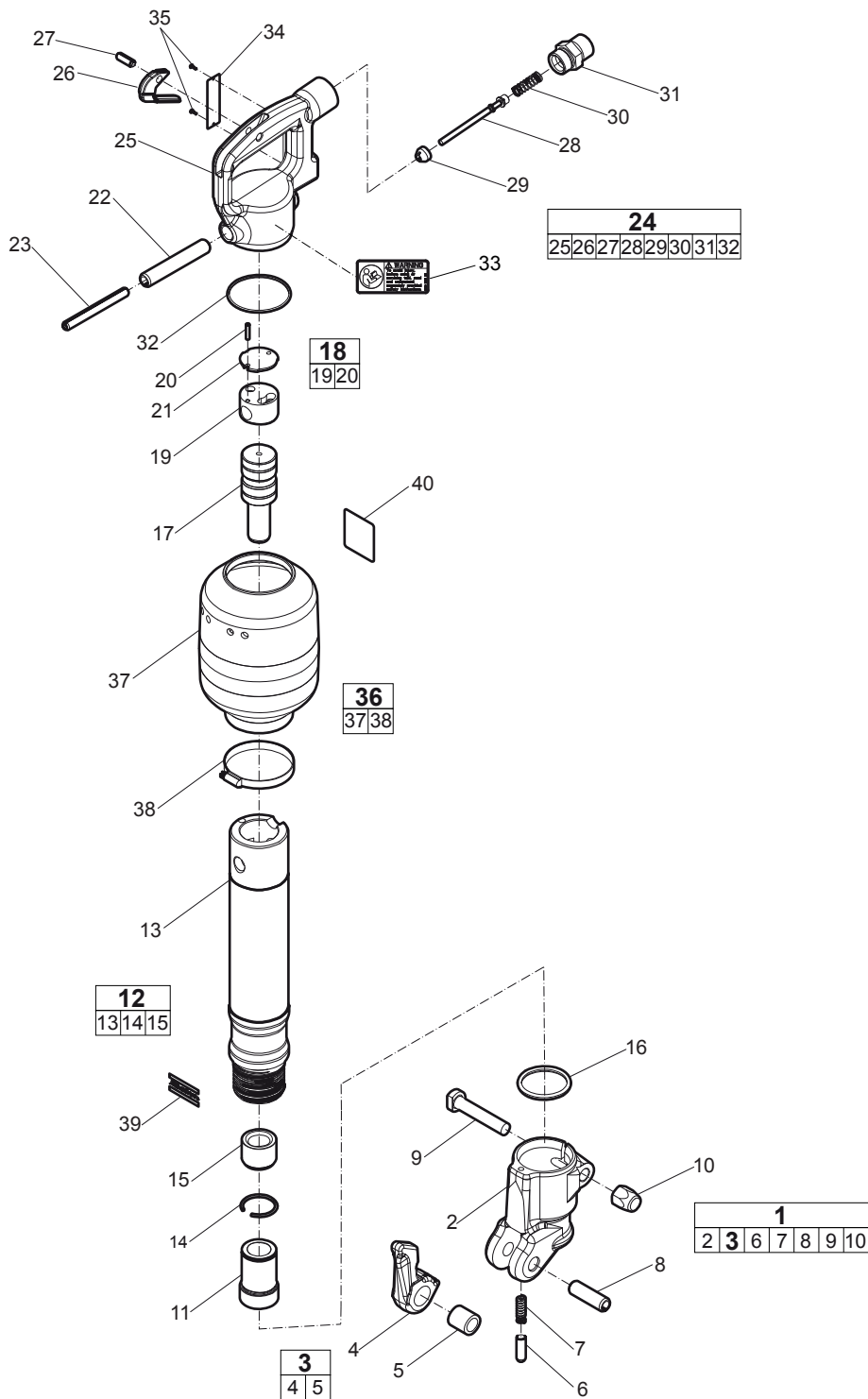
No.	Description	Remark	Quantity	Part number
1	Cap		1	3310 1137 00
2	Buffer, red	Hexagon 22 x 82.5 mm 7/8 x 3¼ in.	1	3310 0705 00
3	Chuck	Hexagon 22 x 82.5 mm 7/8 x 3¼ in.	1	3310 1316 00
4(5-7)	Cylinder, complete		1	3310 1282 80
5	Cylinder		1	-
6	Locking ring		1	3310 0871 00
7	Intermediate part		1	3310 0870 00
8	O-ring	49.2 x 5.7 mm (70 SHORE) 1.94 x 0.22 in.	1	0663 2137 00
9	Piston		1	3310 1283 00
10(11-12)	Cover, complete		1	3310 1285 80
11	Cover		1	-
12	Grooved pin		1	0106 0951 11
13	Main valve		1	3310 1286 00
14	Spring pin	16 x 95 mm	1	0108 1691 55
15	Spring pin	10 x 95 mm	1	0108 1691 64
16(17-24)	Backhead, complete		1	3310 1287 81
17	Backhead		1	-
18	Trigger		1	3310 1288 00
19	Spring pin	8 x 24 mm DIN 1481	1	0108 1355 00
20	Valve stem		1	3310 1281 00
21	Inlet valve		1	3310 1135 00
22	Spring		1	3310 1130 00
23	Nipple		1	3310 1131 00
24	O-ring	64.5 x 3 mm (70 SHORE) 2.54 x 0.12 in.	1	0663 6137 00
25	Safety label	Read instruction manual	1	3310 1602 00
26	Data plate		1	-
27	Screw		2	0244 4144 00
28(29-30)	Silencer, complete		1	3310 1284 80
29	Silencer		1	-
30	Clamp		1	0347 6114 00
31	Label	"Atlas Copco"	1	0690 1101 02
32	Sound power label		1	-

TEX 12PSR



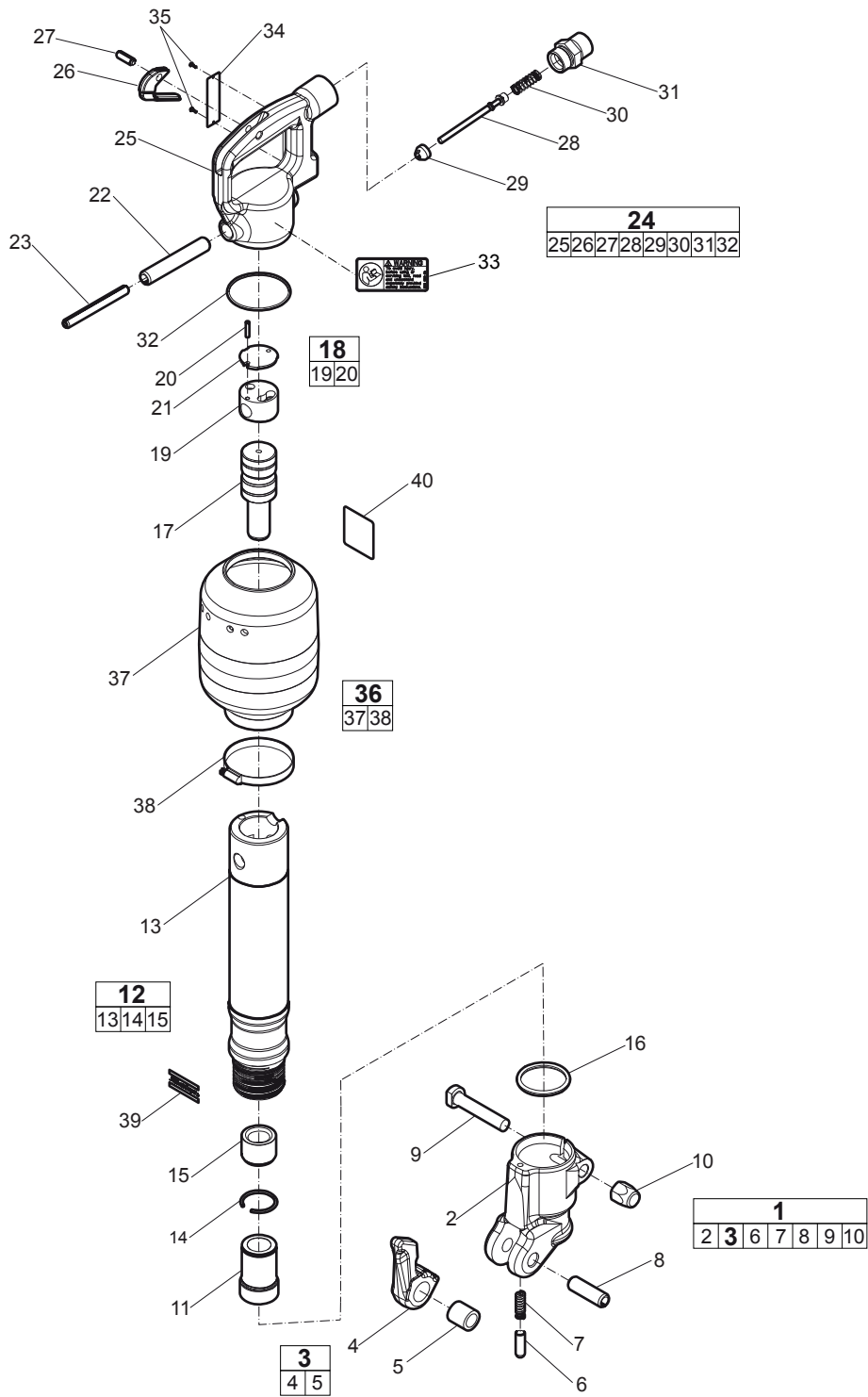
No.	Description	Remark	Quantity	Part number
1	Cap		1	3310 1137 00
2	Buffer, Yellow	Round 25 x 75 mm 1 x 3 in.	1	3310 0417 00
3	Chuck	Round 25 x 75 mm 1 x 3 in.	1	3310 1317 00
4(5-7)	Cylinder, complete		1	3310 1282 80
5	Cylinder		1	-
6	Locking ring		1	3310 0871 00
7	Intermediate part		1	3310 0870 00
8	O-ring	49.2 x 5.7 mm (70 SHORE) 1.94 x 0.22 in.	1	0663 2137 00
9	Piston		1	3310 1283 00
10(11-12)	Cover, complete		1	3310 1285 80
11	Cover		1	-
12	Grooved pin		1	0106 0951 11
13	Main valve		1	3310 1286 00
14	Spring pin	16 x 95 mm	1	0108 1691 55
15	Spring pin	10 x 95 mm	1	0108 1691 64
16(17-24)	Backhead, complete		1	3310 1287 81
17	Backhead		1	-
18	Trigger		1	3310 1288 00
19	Spring pin	8 x 24 mm DIN 1481	1	0108 1355 00
20	Valve stem		1	3310 1281 00
21	Inlet valve		1	3310 1135 00
22	Spring		1	3310 1130 00
23	Nipple		1	3310 1131 00
24	O-ring	64.5 x 3 mm (70 SHORE) 2.54 x 0.12 in.	1	0663 6137 00
25	Safety label	Read instruction manual	1	3310 1602 00
26	Data plate		1	-
27	Screw		2	0244 4144 00
28(29-30)	Silencer, complete		1	3310 1284 80
29	Silencer		1	-
30	Clamp		1	0347 6114 00
31	Label	"Atlas Copco"	1	0690 1101 02
32	Sound power label		1	-

TEX 12PSKL



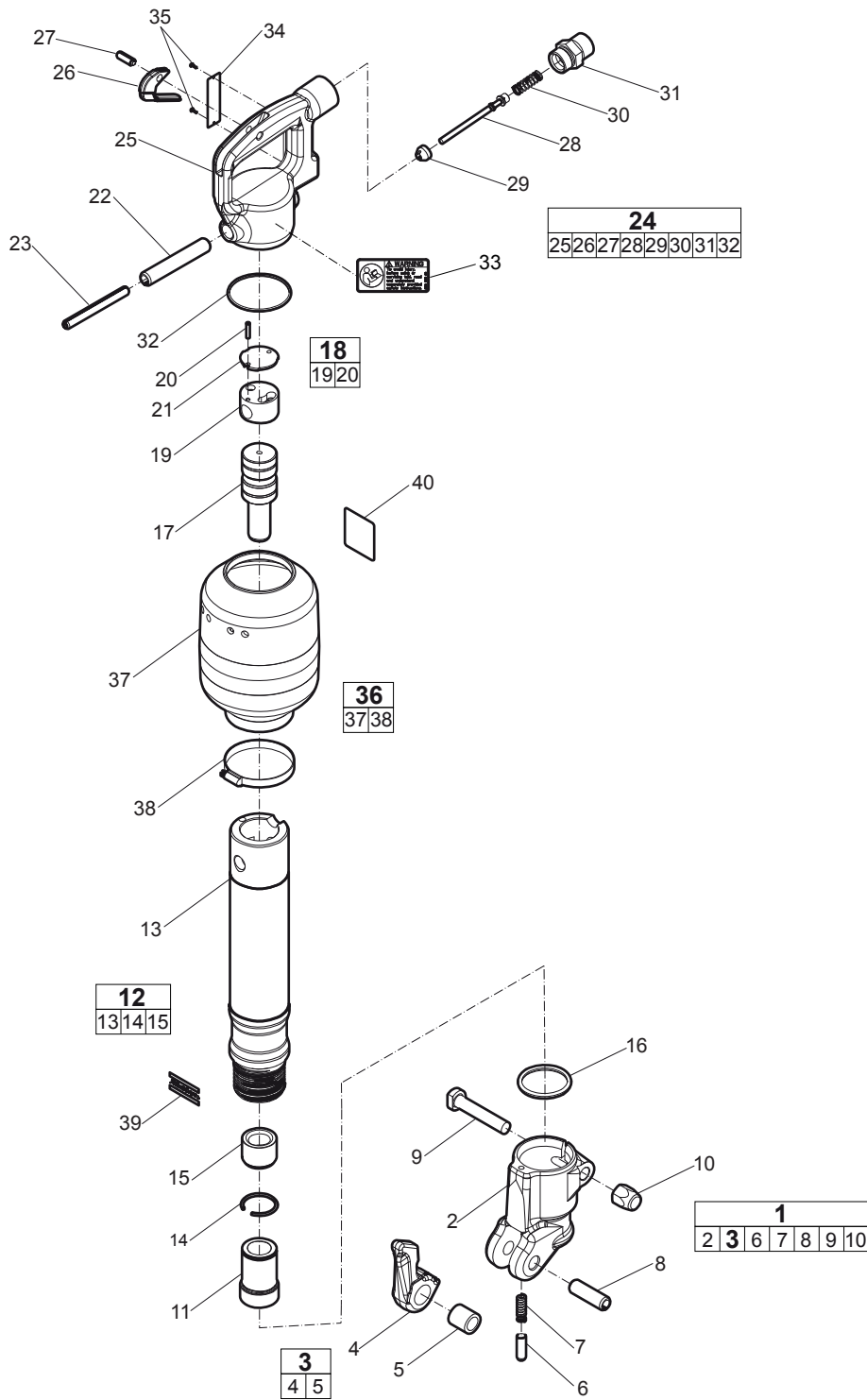
No.	Description	Remark	Quantity	Part number
1(2,3,6-10)	Fronthead, complete		1	3310 0887 80
2	Fronthead		1	-
3(4-5)	Retainer, complete		1	3310 0890 80
4	Retainer		1	-
5	Bushing		1	3310 0891 00
6	Plunger		1	3310 0893 00
7	Spring		1	3310 0894 00
8	Spring pin	16 x 50 mm	1	0108 1691 05
9	Bolt		1	3310 0384 00
10	Nut		1	3310 0312 00
11	Chuck	Hexagon 22 x 82.5 mm 7/8 x 3 1/4 in.	1	3310 1316 00
12(13-15)	Cylinder, complete		1	3310 1282 80
13	Cylinder		1	-
14	Locking ring		1	3310 0871 00
15	Intermediate part		1	3310 0870 00
16	O-ring	49.2 x 5.7 mm (70 SHORE) 1.94 x 0.22 in.	1	0663 2137 00
17	Piston		1	3310 1283 00
18(19-20)	Cover, complete		1	3310 1285 80
19	Cover		1	-
20	Grooved pin		1	0106 0951 11
21	Main valve		1	3310 1286 00
22	Spring pin	16 x 95 mm	1	0108 1691 55
23	Spring pin	10 x 95 mm	1	0108 1691 64
24(25-32)	Backhead, complete		1	3310 1287 81
25	Backhead		1	-
26	Trigger		1	3310 1288 00
27	Spring pin	8 x 24 mm DIN 1481	1	0108 1355 00
28	Valve stem		1	3310 1281 00
29	Inlet valve		1	3310 1135 00
30	Spring		1	3310 1130 00
31	Nipple		1	3310 1131 00
32	O-ring	64.5 x 3 mm (70 SHORE) 2.54 x 0.12 in.	1	0663 6137 00
33	Safety label	Read instruction manual	1	3310 1602 00
34	Data plate		1	-
35	Screw		2	0244 4144 00
36(37-38)	Silencer, complete		1	3310 1284 80
37	Silencer		1	-
38	Clamp		1	0347 6114 00
39	Label	"Atlas Copco"	1	0690 1101 02
40	Sound power label		1	-

TEX 12PSRKL



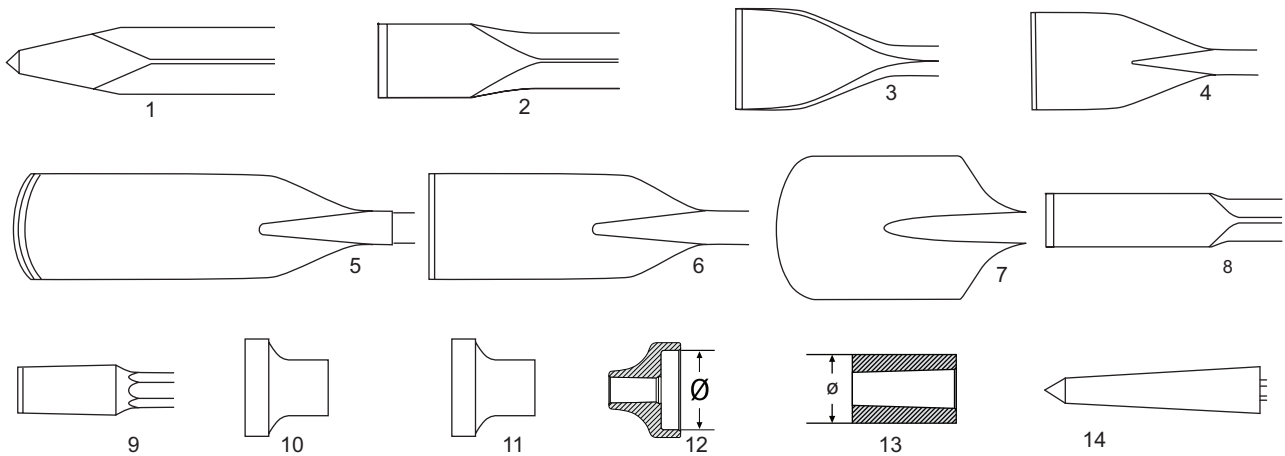
No.	Description	Remark	Quantity	Part number
1(2,3,6-10)	Fronthead, complete		1	3310 0887 80
2	Fronthead		1	-
3(4-5)	Retainer, complete		1	3310 0890 80
4	Retainer		1	-
5	Bushing		1	3310 0891 00
6	Plunger		1	3310 0893 00
7	Spring		1	3310 0894 00
8	Spring pin	16 x 50 mm	1	0108 1691 05
9	Bolt		1	3310 0384 00
10	Nut		1	3310 0312 00
11	Chuck	Round 25 x 75 mm 1 x 3 in.	1	3310 1317 00
12(13-15)	Cylinder, complete		1	3310 1282 80
13	Cylinder		1	-
14	Locking ring		1	3310 0871 00
15	Intermediate part		1	3310 0870 00
16	O-ring	49.2 x 5.7 mm (70 SHORE) 1.94 x 0.22 in.	1	0663 2137 00
17	Piston		1	3310 1283 00
18(19-20)	Cover, complete		1	3310 1285 80
19	Cover		1	-
20	Grooved pin		1	0106 0951 11
21	Main valve		1	3310 1286 00
22	Spring pin	16 x 95 mm	1	0108 1691 55
23	Spring pin	10 x 95 mm	1	0108 1691 64
24(25-32)	Backhead, complete		1	3310 1287 81
25	Backhead		1	-
26	Trigger		1	3310 1288 00
27	Spring pin	8 x 24 mm DIN 1481	1	0108 1355 00
28	Valve stem		1	3310 1281 00
29	Inlet valve		1	3310 1135 00
30	Spring		1	3310 1130 00
31	Nipple		1	3310 1131 00
32	O-ring	64.5 x 3 mm (70 SHORE) 2.54 x 0.12 in.	1	0663 6137 00
33	Safety label	Read instruction manual	1	3310 1602 00
34	Data plate		1	-
35	Screw		2	0244 4144 00
36(37-38)	Silencer, complete		1	3310 1284 80
37	Silencer		1	-
38	Clamp		1	0347 6114 00
39	Label	"Atlas Copco"	1	0690 1101 02
40	Sound power label		1	-

TEX 12PSKL US

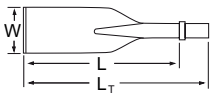


No.	Description	Remark	Quantity	Part number
1(2,3,6-10)	Fronthead, complete		1	3310 0887 80
2	Fronthead		1	-
3(4-5)	Retainer, complete		1	3310 0890 80
4	Retainer		1	-
5	Bushing		1	3310 0891 00
6	Plunger		1	3310 0893 00
7	Spring		1	3310 0894 00
8	Spring pin	16 x 50 mm	1	0108 1691 05
9	Bolt		1	3310 0384 00
10	Nut		1	3310 0312 00
11	Chuck	Hexagon 22 x 82.5 mm 7/8 x 3 1/4 in.	1	3310 1316 00
12(13-15)	Cylinder, complete		1	3310 1282 80
13	Cylinder		1	-
14	Locking ring		1	3310 0871 00
15	Intermediate part		1	3310 0870 00
16	O-ring	49.2 x 5.7 mm (70 SHORE) 1.94 x 0.22 in.	1	0663 2137 00
17	Piston		1	3310 1283 00
18(19-20)	Cover, complete		1	3310 1285 80
19	Cover		1	-
20	Grooved pin		1	0106 0951 11
21	Main valve		1	3310 1286 00
22	Spring pin	16 x 95 mm	1	0108 1691 55
23	Spring pin	10 x 95 mm	1	0108 1691 64
24(25-32)	Backhead, complete		1	3310 1287 82
25	Backhead		1	-
26	Trigger		1	3310 1288 00
27	Spring pin	8 x 24 mm DIN 1481	1	0108 1355 00
28	Valve stem		1	3310 1281 00
29	Inlet valve		1	3310 1135 00
30	Spring		1	3310 1130 00
31	Nipple		1	3310 1131 00
32	O-ring	64.5 x 3 mm (70 SHORE) 2.54 x 0.12 in.	1	0663 6137 00
33	Safety label	Read instruction manual	1	3310 1602 00
34	Data plate		1	-
35	Screw		2	0244 4144 00
36(37-38)	Silencer, complete		1	3310 1284 80
37	Silencer		1	-
38	Clamp		1	0347 6114 00
39	Label	"Atlas Copco"	1	0690 1101 02
40	Sound power label		1	-

Insertion tools



ISO standard hexagon 22 x 82.5 mm (7/8 x 3 1/4 in.)

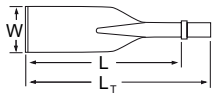


Point to flat



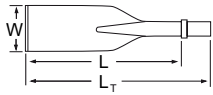
No.	Description	W (mm)	L (mm)	L _T (mm)	Wt (kg)	Part number
1	Moil point	-	380	475	1.6	3083 3242 00
		-	1000	1095	3.6	3083 3243 00
2	Narrow chisel	-	380	475	1.6	3083 3244 00
		-	1000	1095	3.6	3083 3245 00
3	Wide chisel	75	380	475	2.2	3083 3246 00
4	Asphalt cutter	125	380	475	3.0	3083 3069 00
5	Digging chisel	75	450	545	3.3	3083 3247 00
6	Digging spade	120	400	495	3.8	3083 3248 00
7	Clay spade	125	430	525	3.7	3083 3249 00
8	Frost wedge	35	380	475	2.3	3083 3250 00
9	Shaft for tamping pad	-	310	405	1.7	3083 3251 00
10	Tamping pad, round	Ø175	-	-	7.6	3083 3252 10
11	Tamping pad, square	175	-	-	6.1	3083 3239 00
12	Driver pad, round	Ø65	-	-	1.9	3317 8060 12
		Ø100	-	-	2.6	9245 2817 90
14	Posthole tool	40	-	-	2.7	9245 2822 30

Round 25 x 75 mm (1 x 3 in.)



No.	Description	W (mm)	L (mm)	L _T (mm)	Part number
1	Moil point	-	330	415	3083 3265 00
		-	450	535	3083 3265 10
2	Narrow chisel	-	330	415	3083 3266 00
		-	450	535	3083 3266 10

US standard hexagon 7/8 x 3 1/4 in. (22 x 82.5 mm)

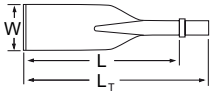


Flat to flat



No.	Description	W (in.)	L (in.)	L _T (in.)	Wt (lb)	Part number
1	Moil point	-	14	18	3.3	3083 4050 00
		-	18	21	4.0	3083 4050 10
		-	24	28	5.1	3083 4050 20
		-	36	40	7.3	3083 4050 30
2	Narrow chisel	-	14	18	3.5	3083 3303 00
		-	24	28	5.1	3083 3304 00
		-	18	21	4.0	3083 4051 10
		-	36	40	7.3	3083 4051 30
3	Wide chisel	3	14	18	4.6	3083 3305 00
		3	18	21	4.4	3083 4052 10
		3	24	28	5.5	3083 4052 20
		3	36	40	7.7	3083 4052 30
4	Asphalt cutter	5	12	16	6.2	3083 4053 00
5	Digging chisel	3	14	18	7.1	3083 3306 00
6	Digging spade	5	13	17	8.6	3083 3307 00
7	Clay spade	5	17	21	8.4	3083 3308 00
8	Frost wedge	1	15	19	5.5	3083 4057 00
9	Shaft for tamping pad	-	8	12	2.9	3083 4058 00
10	Tamping pad, round	Ø7	-	-	16.8	3083 3252 10
11	Tamping pad, square	7	-	-	13.4	3083 3239 00
12	Driver pad, round	Ø4	-	-	5.7	9245 2817 90
		Ø3	-	-	4.2	3371 8060 12
14	Posthole tool	2	-	-	6.0	9245 2822 30

Round 1 x 3 in. (25 x 75 mm)



No.	Description	W (in.)	L (in.)	L _T (in.)	Part number
1	Moil point	-	13.0	16.3	3083 3265 00
		-	18.0	21.0	3083 3265 10
2	Narrow chisel	-	13.0	16.3	3083 3266 00
		-	18.0	21.0	3083 3266 10

Accessories

Pre-mounted rubber hose with couplings

Description	Remark	Quantity	Part number
Rubber hose, pre-mounted with European type claw coupling, 3 m (10 feet) (1 x claw coupling + 1 x hose nipple with cup nut, G $\frac{3}{4}$ in.)	Ø12.5 mm Ø $\frac{1}{2}$ in.	1	9030 2044 00

Water separator

Description	Remark	Quantity	Part number
Water separator VAM 01, European type claw couplings	Airflow < 50 l/s Airflow < 106 ft ³ /min	1	8092 0110 58
Water separator VAM 01, US type claw couplings	Airflow < 50 l/s Airflow < 106 ft ³ /min	1	8092 0110 59
Water separator VAM 5A, European type claw couplings	Airflow < 120 l/s Airflow < 254 ft ³ /min	1	8092 0110 82
Water separator VAM 5A, US type claw couplings	Airflow < 120 l/s Airflow < 254 ft ³ /min	1	8092 0110 83

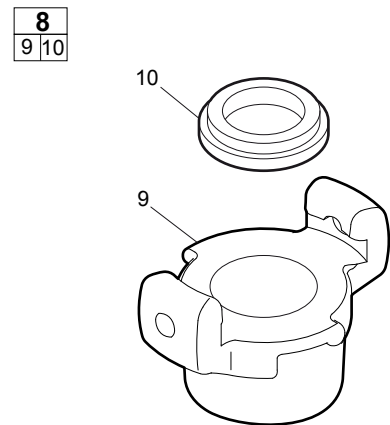
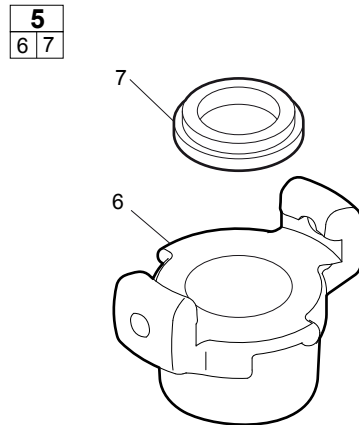
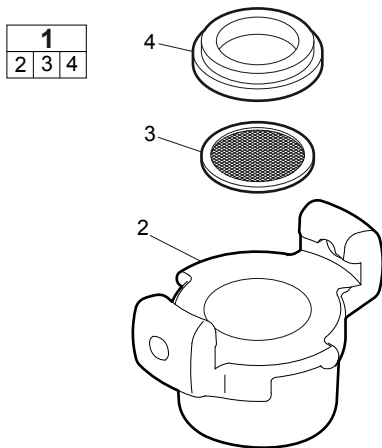
Lubricator

Description	Remark	Quantity	Part number
Lubricator CLG 30, European type claw couplings	For mineral and synthetic oil	1	8202 5102 39
Lubricator CLG 30, US type claw couplings	For mineral and synthetic oil	1	8202 5102 40

Breaker and hammer AIR-OIL

Description	Remark	Quantity	Part number
Breaker and hammer AIR-OIL	0.25 l 0.06 US gallon	1	8099 0202 40
Breaker and hammer AIR-OIL	1 l 0.26 US gallon	1	8099 0202 36
Breaker and hammer AIR-OIL (pack)	1 l 0.26 US gallon	20	8099 0202 81
Breaker and hammer AIR-OIL	5 l 1.32 US gallon	1	8099 0202 02
Breaker and hammer AIR-OIL (pack)	5 l 1.32 US gallon	4	8099 0202 85

Claw couplings



No.	Description	Remark	Quantity	Part number
1(2-4)	Claw coupling with strainer, complete		1	9000 0306 01
2	Claw coupling	Standard G $\frac{3}{4}$ in.	1	-
3	Strainer		1	9000 0000 10
4	Seal		1	9000 0000 00
5(6-7)	Claw coupling, complete		1	9000 0306 00
6	Claw coupling	Standard G $\frac{3}{4}$ in.	1	-
7	Seal		1	9000 0000 00
8(9-10)	Claw coupling, complete		1	9001 0005 06
9	Claw coupling	US-universal $\frac{3}{4}$ in.	1	-
10	Seal		1	9001 0005 15



Any unauthorized use or copying of the contents or any part thereof is prohibited.
This applies in particular to trademarks, model denominations, part numbers, and drawings.

© 2011 Atlas Copco Construction Tools AB | No. 9800 0847 01b | 2011-04-05

www.atlascopco.com