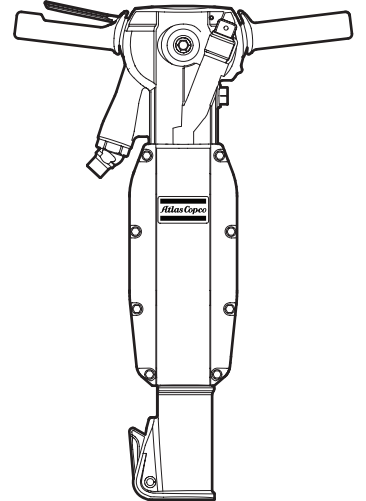


Spare parts list

Handheld pneumatic breakers



Contents

- General information..... 5
- Spare parts list..... 6
 - TEX 280PE hexagon 28 x 160 mm (1 1/8 x 6 1/4 in.)..... 6
 - TEX 280PE hexagon 32 x 160 mm (1 1/4 x 6 1/4 in.)..... 10
- Working tools..... 13
 - ISO standard hexagon 28 x 160 mm (1 1/8 x 6 1/4 in.)..... 13
 - ISO standard hexagon 32 x 160 mm (1 1/4 x 6 1/4 in.)..... 14
 - US standard hexagon 1 1/8 x 6 in. (28 x 152 mm) 15
 - US standard hexagon 1 1/4 x 6 in. (32 x 152 mm) 16
- Accessories..... 17
 - Pre-mounted rubber hoses with claw couplings..... 17
 - Water separator..... 17
 - Lubricator..... 17
 - Breaker and hammer AIR-OIL..... 17
 - Claw couplings..... 18
 - Shank gauge..... 18

General information

This spare parts list applies to the following:

Description

Handheld pneumatic breaker TEX 290PE 28 x 160 mm (1 $\frac{1}{8}$ x 6 $\frac{1}{4}$ in.)

Handheld pneumatic breaker TEX 290PE 32 x 160 mm (1 $\frac{1}{4}$ x 6 $\frac{1}{4}$ in.)

Use only authorized parts. Any damage or malfunction caused by the use of unauthorized parts is not covered by Warranty or Product Liability. Any unauthorized use or copying of the contents or any part thereof is prohibited. This applies in particular to trademarks, model denominations, part numbers, and drawings.

Instructions for use

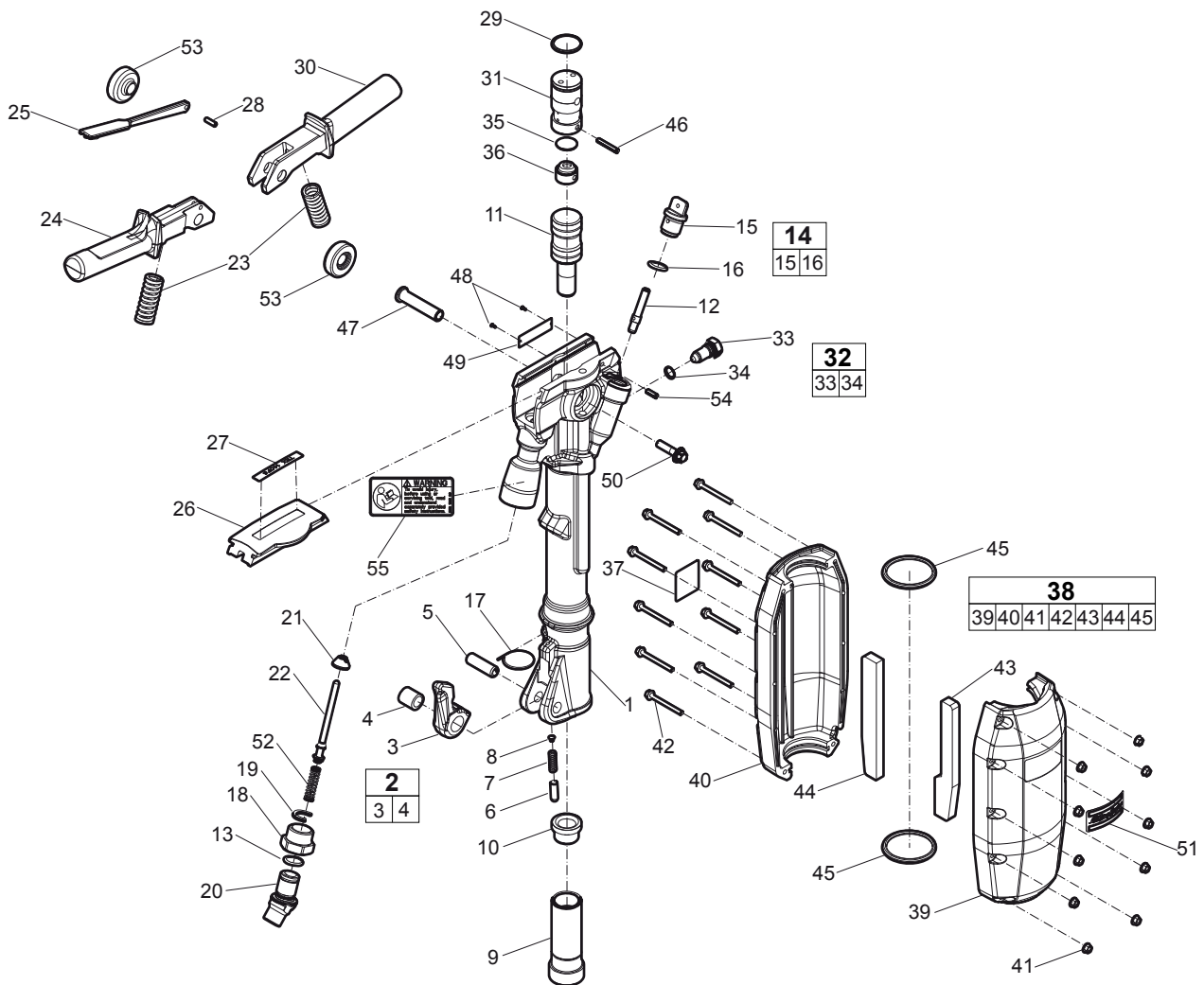
This spare parts list contains no safety regulations and is merely intended to assist in the ordering of spare parts.

For information about operating, servicing, or repairing, the relevant Safety and operating instructions must be consulted at all costs.

Please observe the safety instructions listed in the relevant Safety and operating instructions!

Spare parts list

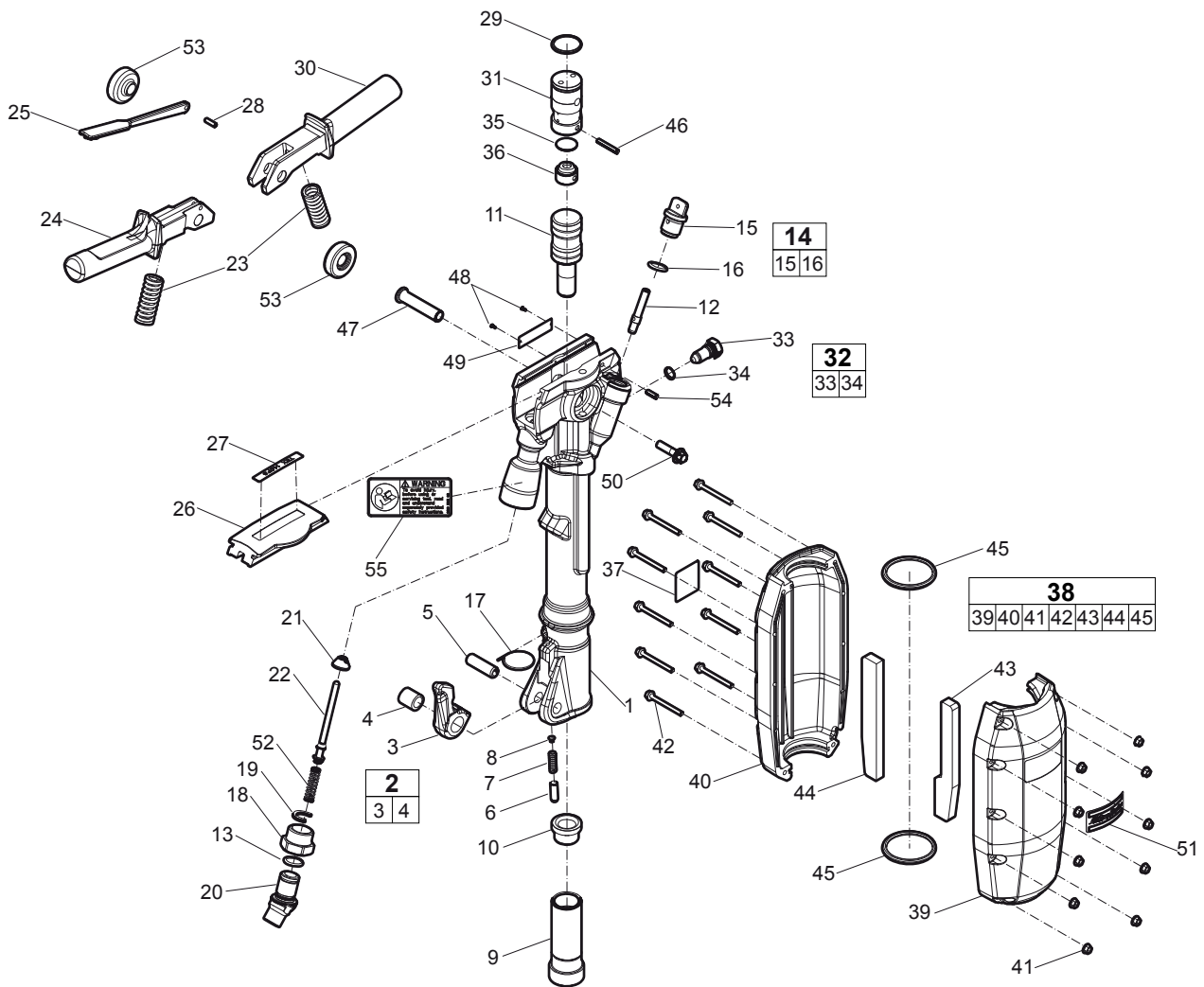
TEX 280PE hexagon 28 x 160 mm (1 1/8 x 6 1/4 in.)



No.	Description	Remark	Quantity	Part number
1	Cylinder		1	3310 1528 00
2(3-4)	Tool retainer, complete		1	3310 0890 80
3	Tool retainer		1	-
4	Bushing		1	3310 0891 00
5	Spring pin		1	0108 1691 05
6	Plunger		1	3310 0893 00
7	Spring		1	3310 0894 00
8	Protection plug		1	3310 1508 00
9	Chuck	Hexagon 28 x 160 mm Hexagon 1 $\frac{1}{8}$ x 6 $\frac{1}{4}$ in.	1	3310 1484 00
10	Intermediate part		1	3310 1548 00
11	Piston		1	3310 1547 00
12	Dosing feeder		1	3310 1260 00
13	O-ring	Ø22.2 x 3 mm (70 Shore) Ø0.87 x 0.12 in.	1	0663 2126 00
14(15-16)	Oil plug, complete		1	3310 1462 80
15	Oil plug		1	-
16	O-ring	Ø22.2 x 3 mm (70 Shore) Ø0.87 x 0.12 in.	1	0663 2126 00
17	Lock wire		1	3310 1534 00
18	Swivel nut		1	3310 1044 00
19	Lock washer		1	3310 1059 00
20	Swivel	$\frac{3}{4}$ in.	1	3310 1536 00
21	Inlet valve		1	3310 1211 00
22	Valve stem		1	3310 1492 00
23	Spring		2	3310 1083 00
24	Handle		1	3310 1458 80
25	Trigger		1	3310 1460 80
26	Cover		1	3310 1478 00
27	Label	"TEX 280PE"	1	3310 1516 11
28	Spring pin	Ø6 x 20 mm DIN 1481	1	0108 1324 00
29	O-ring	Ø36.2 x 3 mm (70 Shore) Ø1.43 x 0.12 in.	1	0663 2134 00
30	Handle		1	3310 1459 80
31	Valve housing		1	3310 1481 00
32(33-34)	Screw, complete		1	3310 1476 80
33	Screw		1	-
34	O-ring	Ø13.3 x 2.4 mm (70 Shore) Ø0.52 x 0.09 in.	1	0663 2120 00
35	Main valve		1	3310 1173 00
36	valve cover		1	3310 1245 00
37	Sound power label		1	-
38(39-45)	Silencer, complete		1	3310 1477 80
39	Silencer front		1	-
40	Silencer rear		1	-
41	Flange nut		10	9232 0207 50
42	Flange screw		10	0147 3000 32
43	Separation wall		1	3310 1518 50
44	Separation wall		1	3310 1518 51
45	O-ring	Ø64.2 x 5.7 mm Ø2.53 x 0.22 in.	2	0663 2114 14
46	Spring pin	Ø6 x 40 mm DIN 1481	1	0108 1332 00
47	Guide shaft		1	3310 1479 00
48	Screw		2	0244 4144 00
49	Data plate		1	-

No.	Description	Remark	Quantity	Part number
50	Flange screw	M10 x 40 mm	1	0147 3000 18
51	Label	"Atlas Copco"	1	0690 1356 00
52	Spring		1	3310 1537 00
53	Buffer		2	3310 1461 00
54	Spring pin	Ø6 x 16 mm DIN 1481	1	0108 1322 00
55	Safety label		1	3310 1602 00

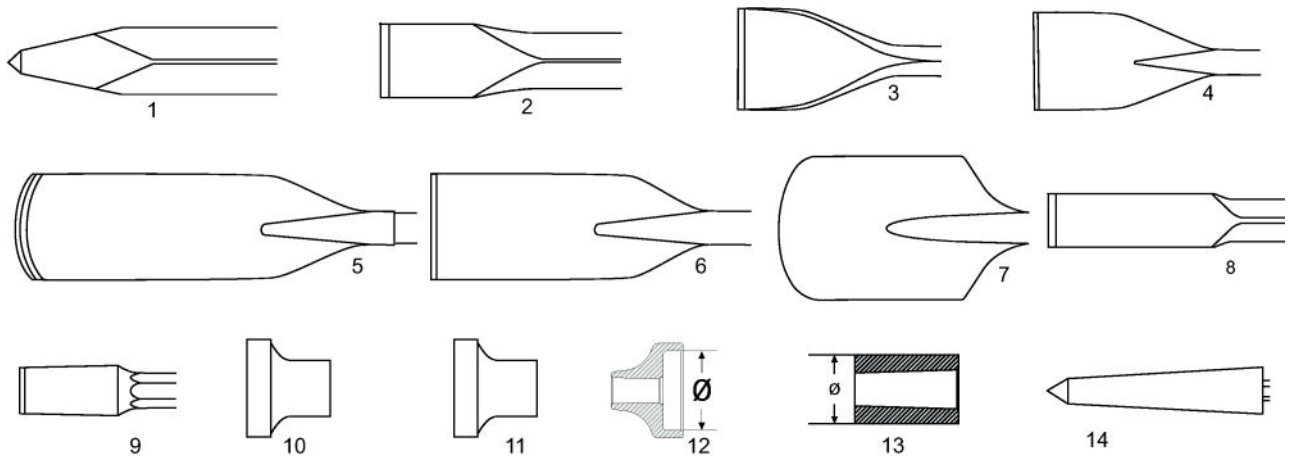
TEX 280PE hexagon 32 x 160 mm (1¼ x 6¼ in.)



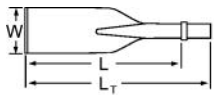
No.	Description	Remark	Quantity	Part number
1	Cylinder		1	3310 1528 00
2(3-4)	Tool retainer, complete		1	3310 0890 80
3	Tool retainer		1	-
4	Bushing		1	3310 0891 00
5	Spring pin		1	0108 1691 05
6	Plunger		1	3310 0893 00
7	Spring		1	3310 0894 00
8	Protection plug		1	3310 1508 00
9	Chuck	Hexagon 32 x 160 mm Hexagon 1¼ x 6¼ in.	1	3310 1483 00
10	Intermediate part		1	3310 1548 00
11	Piston		1	3310 1547 00
12	Dosing feeder		1	3310 1260 00
13	O-ring	Ø22.2 x 3 mm (70 Shore) Ø0.87 x 0.12 in.	1	0663 2126 00
14(15-16)	Oil plug, complete		1	3310 1462 80
15	Oil plug		1	-
16	O-ring	Ø22.2 x 3 mm (70 Shore) Ø0.87 x 0.12 in.	1	0663 2126 00
17	Lock wire		1	3310 1534 00
18	Swivel nut		1	3310 1044 00
19	Lock washer		1	3310 1059 00
20	Swivel	¾ in.	1	3310 1536 00
21	Inlet valve		1	3310 1211 00
22	Valve stem		1	3310 1492 00
23	Spring		2	3310 1083 00
24	Handle		1	3310 1458 80
25	Trigger		1	3310 1460 80
26	Cover		1	3310 1478 00
27	Label	"TEX 280PE"	1	3310 1516 11
28	Spring pin	Ø6 x 20 mm DIN 1481	1	0108 1324 00
29	O-ring	Ø36.2 x 3 mm (70 Shore) Ø1.43 x 0.12 in.	1	0663 2134 00
30	Handle		1	3310 1459 80
31	Valve housing		1	3310 1481 00
32(33-34)	Screw, complete		1	3310 1476 80
33	Screw		1	-
34	O-ring	Ø13.3 x 2.4 mm (70 Shore) Ø0.52 x 0.09 in.	1	0663 2120 00
35	Main valve		1	3310 1173 00
36	valve cover		1	3310 1245 00
37	Sound power label		1	-
38(39-45)	Silencer, complete		1	3310 1477 80
39	Silencer front		1	-
40	Silencer rear		1	-
41	Flange nut		10	9232 0207 50
42	Flange screw		10	0147 3000 32
43	Separation wall		1	3310 1518 50
44	Separation wall		1	3310 1518 51
45	O-ring	Ø64.2 x 5.7 mm Ø2.53 x 0.22 in.	2	0663 2114 14
46	Spring pin	Ø6 x 40 mm DIN 1481	1	0108 1332 00
47	Guide shaft		1	3310 1479 00
48	Screw		2	0244 4144 00
49	Data plate		1	-

No.	Description	Remark	Quantity	Part number
50	Flange screw	M10 x 40 mm	1	0147 3000 18
51	Label	"Atlas Copco"	1	0690 1356 00
52	Spring		1	3310 1537 00
53	Buffer		2	3310 1461 00
54	Spring pin	Ø6 x 16 mm DIN 1481	1	0108 1322 00
55	Safety label		1	3310 1602 00

Working tools



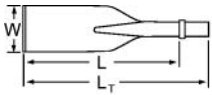
ISO standard hexagon 28 x 160 mm (1 1/8 x 6 1/4 in.)



Point to flat

No.	Description	W (mm)	L (mm)	L _T (mm)	Wt (kg)	Part number
1	Moil point	-	380	545	2.9	3083 3271 00
		-	450	615	3.2	3083 3272 00
		-	1000	1165	6.2	3083 3273 00
2	Narrow chisel	-	380	545	2.8	3083 3274 00
		-	450	615	3.3	3083 3275 00
		-	1000	1165	6.4	3083 3276 00
3	Wide chisel	75	380	545	3.0	3083 3277 00
4	Asphalt cutter	115	300	465	3.7	3083 3278 00
5	Digging chisel	75	380	545	4.1	3083 3279 00
6	Digging spade	125	380	545	4.6	3083 3280 00
7	Clay spade	140	380	545	4.1	3083 3281 00
8	Wedge chisel	40	400	565	3.9	3083 3282 00
9	Shaft for tamping pad	-	230	395	3.0	3083 3283 01
10	Tamping pad, round	Ø180	-	-	7.1	3083 3301 00
11	Tamping pad, square	150	-	-	8.2	3083 3302 00
		200	-	-	10.0	3083 3197 00
12	Driving pad	Ø120	-	-	7.6	3376 1120 79
		Ø150	-	-	8.7	3376 1120 77
13	Driver blank	Ø80	-	-	3.4	9245 2827 10

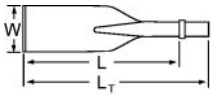
ISO standard hexagon 32 x 160 mm (1¼ x 6¼ in.)



Point to flat

No.	Description	W (mm)	L (mm)	L _T (mm)	Wt (kg)	Part number
1	Moil point	-	380	545	3.5	3083 3205 00
		-	450	615	3.9	3083 3206 00
		-	1000	1165	7.6	3083 3207 00
2	Narrow chisel	-	380	545	3.5	3083 3208 00
		-	450	615	4.0	3083 3209 00
		-	1000	1165	7.5	3083 3210 00
3	Wide chisel	75	380	545	3.7	3083 3211 00
4	Asphalt cutter	115	300	465	4.0	3083 3212 00
5	Digging chisel	75	380	545	4.4	3083 3213 00
6	Digging spade	125	380	545	4.9	3083 3214 00
7	Clay spade	140	380	545	4.4	3083 3215 00
8	Wedge chisel	40	400	565	3.8	3083 3216 00
9	Shaft for tamping pad	-	235	400	3.1	3083 3218 01
10	Tamping pad, round	Ø180	-	-	7.1	3083 3301 00
11	Tamping pad, square	150	-	-	8.2	3083 3302 00
		200	-	-	10.0	3083 3197 00
12	Driving pad	Ø120	-	-	7.6	3376 1120 79
		Ø150	-	-	8.7	3376 1120 77
13	Driver blank	Ø80	-	-	3.4	9245 2827 10

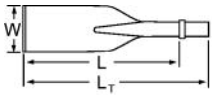
US standard hexagon 1 1/8 x 6 in. (28 x 152 mm)



Flat to flat

No.	Description	W (in.)	L (in.)	L _T (in.)	Wt (lb)	Part number
1	Moil point	-	14	20	6.0	3083 3267 00
		-	18	24	7.1	3083 4015 10
		-	24	30	9.0	3083 4015 20
		-	36	42 1/2	12.8	3083 4015 30
2	Narrow chisel	-	14	20	6.0	3083 3268 00
		-	18	24	7.1	3083 4016 10
		-	24	30 1/2	9.0	3083 4016 20
		-	36	42 1/2	12.8	3083 4016 30
3	Wide chisel	3	15	21	6.8	3083 3289 00
		3	18	24	7.7	3083 4017 00
		3	24	31	9.5	3083 4017 10
		3	36	42 1/2	13.0	3083 4017 20
4	Asphalt cutter	4 1/2	11	17 1/2	7.7	3083 4019 00
		5	13	19 1/2	9.0	3083 3290 00
5	Digging chisel	3	15	21	9.0	3083 3291 00
6	Digging spade	5	13	19	9.0	3083 3292 00
7	Clay spade	5 1/2	15	21	9.9	3083 3293 00
8	Wedge chisel	2	16	22	11.0	3083 3294 00
9	Shaft for tamping pad	-	9	16	6.4	3083 3269 00
10	Tamping pad, round	Ø7	-	-	15.7	3083 3301 00
11	Tamping pad, square	6	-	-	18.1	3083 3302 00
		8	-	-	22.0	3083 3197 00
12	Driving pad	Ø4 3/4	-	-	16.8	3376 1120 79
		Ø6	-	-	19.2	3376 1120 77
13	Driver blank	Ø3	-	-	7.5	9245 2827 10

US standard hexagon 1¼ x 6 in. (32 x 152 mm)



Flat to flat

No.	Description	W (in.)	L (in.)	L _T (in.)	Wt (lb)	Part number
1	Moil point	-	14	20	7.3	3083 3285 00
		-	18	24	8.6	3083 4000 10
		-	24	30½	11.2	3083 4000 20
		-	36	42½	15.4	3083 4000 30
2	Narrow chisel	-	14	20	7.0	3083 3286 00
		-	18	24	8.4	3083 4001 10
		-	24	30½	10.8	3083 4001 20
		-	36	42½	15.4	3083 4001 30
3	Wide chisel	3	15	20	7.9	3083 3295 00
		3	18	24	9.3	3083 4002 00
		3	24	30½	11.2	3083 4002 10
		3	36	42½	14.8	3083 4002 20
4	Asphalt cutter	4½	12	18½	8.8	3083 4004 00
		5	13	19½	9.0	3083 3296 00
5	Digging chisel	3	15	21	9.9	3083 3297 00
6	Digging spade	5	13	19	9.5	3083 3298 00
7	Clay spade	5½	15	21	11.7	3083 3299 00
8	Wedge chisel	2	16	22	11.5	3083 3300 00
9	Shaft for tamping pad	-	9	16	6.8	3083 3287 00
10	Tamping pad, round	Ø7	-	-	15.7	3083 3301 00
11	Tamping pad, square	6	-	-	18.1	3083 3302 00
		8	-	-	22.0	3083 3197 00
12	Driving pad	Ø4¾	-	-	16.8	3376 1120 79
		Ø6	-	-	19.2	3376 1120 77
13	Driver blank	Ø3	-	-	7.5	9245 2827 10

Accessories

Pre-mounted rubber hoses with claw couplings

Description	Remark	Quantity	Part number
Rubber hose, pre-mounted with European type claw couplings, 3 m (10 feet) (claw couplings on both ends)	Ø20 mm Ø¾ in.	1	9030 2100 00
Rubber hose, pre-mounted with European type claw couplings, 3 m (10 feet) (1 x claw coupling + 1 x hose nipple with cup nut)	Ø20 mm Ø¾ in.	1	9030 2048 00

Water separator

Description	Remark	Quantity	Part number
Water separator VAM 01, European type claw couplings	Airflow < 50 l/s Airflow < 106 ft³/min	1	8092 0110 58
Water separator VAM 01, US type claw couplings	Airflow < 50 l/s Airflow < 106 ft³/min	1	8092 0110 59
Water separator VAM 5A, European type claw couplings	Airflow < 120 l/s Airflow < 254 ft³/min	1	8092 0110 82
Water separator VAM 5A, US type claw couplings	Airflow < 120 l/s Airflow < 254 ft³/min	1	8092 0110 83

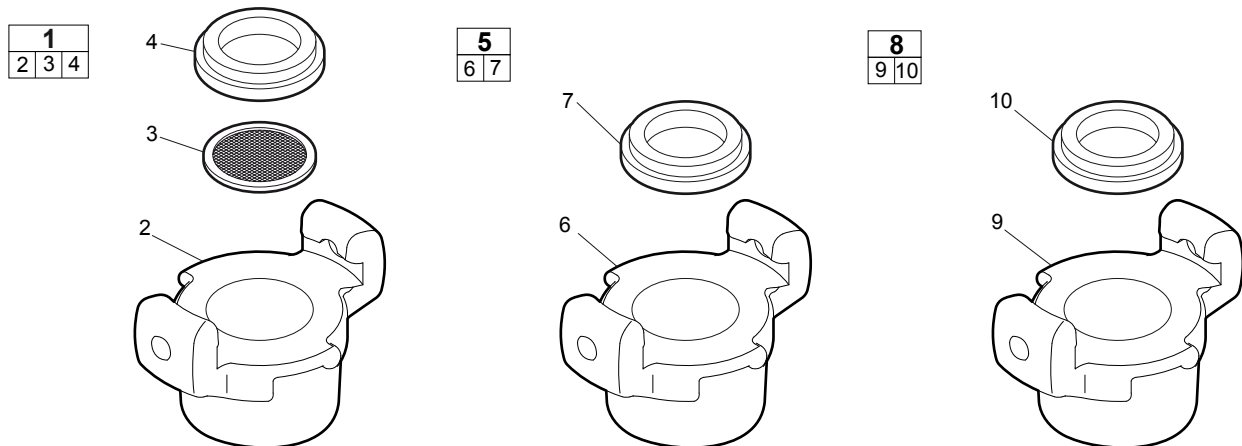
Lubricator

Description	Remark	Quantity	Part number
Lubricator CLG 30, European type claw couplings	For mineral and synthetic oil	1	8202 5102 39
Lubricator CLG 30, US type claw couplings	For mineral and synthetic oil	1	8202 5102 40

Breaker and hammer AIR-OIL

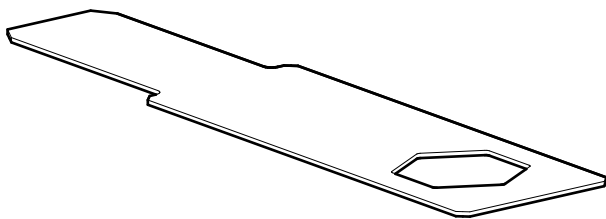
Description	Remark	Quantity	Part number
Breaker and hammer AIR-OIL	0.25 l 0.06 US gallon	1	8099 0202 40
Breaker and hammer AIR-OIL	1 l 0.26 US gallon	1	8099 0202 36
Breaker and hammer AIR-OIL (pack)	1 l 0.26 US gallon	20	8099 0202 81
Breaker and hammer AIR-OIL	5 l 1.32 US gallon	1	8099 0202 02
Breaker and hammer AIR-OIL (pack)	5 l 1.32 US gallon	4	8099 0202 85

Claw couplings



No.	Description	Remark	Quantity	Part number
1(2-4)	Claw coupling with strainer, complete		1	9000 0306 01
2	Claw coupling	Standard G $\frac{3}{4}$ in.	1	-
3	Strainer		1	9000 0000 10
4	Seal		1	9000 0000 00
5(6-7)	Claw coupling, complete		1	9000 0306 00
6	Claw coupling	Standard G $\frac{3}{4}$ in.	1	-
7	Seal		1	9000 0000 00
8(9-10)	Claw coupling, complete		1	9001 0005 06
9	Claw coupling	US-universal $\frac{3}{4}$ in.	1	-
10	Seal		1	9001 0005 15

Shank gauge



Description	Remark	Quantity	Part number
Gauge, hexagon	25 mm 1 in.	1	3310 1509 25
Gauge, hexagon	28 mm 1 $\frac{1}{8}$ in.	1	3310 1509 28
Gauge, hexagon	32 mm 1 $\frac{1}{4}$ in.	1	3310 1509 32

Any unauthorized use or copying of the contents or any part thereof is prohibited.
This applies in particular to trademarks, model denominations, part numbers, and
drawings.

© 2010 Atlas Copco Construction Tools AB | No. 9800 0861 01c | 2010-11-26

